

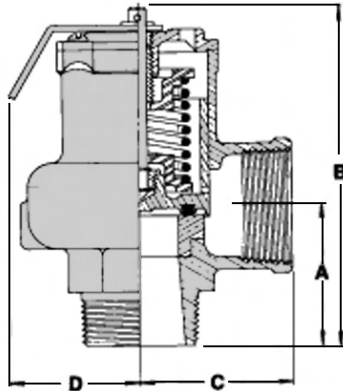
Relief Valves for Steam Boilers and Vessels

High Capacity Steam Boiler Relief Valves

CONBRACO Series 14 bronze relief valves are long lasting relief valves! Set at 15 psig, these valves are made for the larger steam heating boilers found in commercial, industrial and public institutions. Male pipe inlet to boiler x female pipe outlet to discharge.

Features:

- Male pipe inlet x female pipe outlet.
- One piece body, all bronze construction.
- Rust proofed steel spring.
- Chrome plated seat, PTFE coated disc.
- PTFE coated EPDM O-ring for positive seal.
- 3/8" NPT side tapping for drain connection.
- Valves are capacity certified by the National Board at 15 psig only, in accordance with ASME Boiler & Pressure Vessel Code IV.
- Registered in all Canadian provinces and territories, CRN #OG8547.5C.



The popular relief valve for Big Steam Boilers!

CONBRACO Steam Relief Valves set at 15 psi	Pipe Size	PPH Capacity	Dimensions (inches)				Order No.
			A	B	C	D	
14-205 Steam relief valve, 15 psig	2" x 2"	3150	3.00	7.12	3.12	4.00	CJ1005
14-206 Steam relief valve, 15 psig	2½" x 2½"	4676	3.50	8.25	3.50	4.00	CJ1010
14-207 Steam relief valve, 15 psig	3" x 3"	6843	4.12	9.37	3.87	4.00	CJ1015

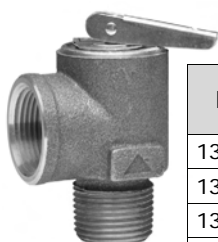


KUNKLE Series 930 bronze relief valves share similar piping dimensions and relieving capacities as the 14 series Conbraco relief valves above. Set at 15 psig, these valves are made for the larger steam heating boilers found in commercial, industrial and public institutions. Male pipe inlet to boiler x female pipe outlet to discharge piping.

Features:

- Extra high capacity for industrial, commercial and residential low pressure steam heating boilers.
- Large seat area/guide area ratio, along with disc pivot design ensures optimum valve performance.
- Lapped valve seats for optimum performance.
- Reversible lift lever for 'pull-up' or 'pull-down' manual testing.
- Every valve 100% tested/inspected for pressure setting and leakage. All adjustments are factory sealed to prevent tampering or disassembly.

KUNKLE Steam Relief Valves set at 15 psi	Pipe Size	PPH Capacity	Dimensions (inches)			Order No.
			A	B	C	
Series 930 High Capacity Steam Relief Valves for Boilers, set at 15 psi	2" x 2"	3161	3.125	3	7.25	KE1035
	2½" x 2½"	4497	3.75	3.50	8.25	KE1040
	3" x 3"	6942	4.25	4	8.75	KE1045



Small Capacity Steam Relief Valves

For low pressure steam heating. Brass body. Smaller pipe sizes.

Model	Pipe Inlet Male pipe	Pipe Outlet Female Pipe	Relief Setting	PPH Capacity	Order No.	Model	Pipe Inlet Male pipe	Pipe Outlet Female Pipe	Relief Setting	PPH Capacity	Order No.
13-211-05	¾"	¾"	8 psi	475	CI1155	13-213-08	1¼"	1½"	10 psi	1200	CI1200
13-211-06	¾"	¾"	10 psi	475	CI1160	13-214-08	1½"	2"	15 psi	1200	CI1215
13-211-08	¾"	¾"	15 psi	475	CI1165	415-8	¾"	¾"	8 psi	325	WC1350
13-202-08	1"	1"	15 psi	643	CI1175	415-15	1"	1"	15 psi	450	WC1355

Relief Valves for Steam Boilers & Pressure Vessels

Flanged x flanged model shown.



BIG Relief Valves for Steam Boilers and Pressured Vessels

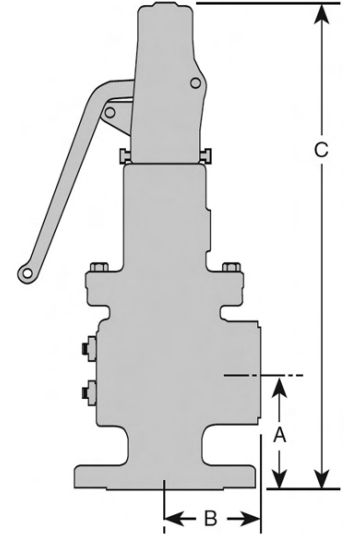
KUNKLE Series 6252 are iron body safety valves available in flanged or female pipe connections. Rated up to 250 psig set pressure and 400° F. Used for steam, air and other non-hazardous gases.

Applications include:

- Steam boilers and generators
- Pressure reducing stations
- Air/Gas compressors
- Pressure vessels

Made of quality cast iron with bronze trim. Stainless steel trim available as an option. Bolted bonnet design for easy maintenance. Dual control rings offer easy adjustability for precision opening with minimum pre-open. Available in sizes 1-1/2 inch to 6 inch.

- Flanged and Female Pipe shown below.
- Order any set pressure up to 250 psig.
- Specify set pressure when ordering.



When ordering please specify the desired relief valve discharge pressure — Anywhere from 5 to 250 psi.

Model No.	Pipe Size	Inlet x Outlet Connection	Dimensions			Discharge in pounds per hour at the pressures shown						Order No.
			A	B	C	15 psi	30 psi	50 psi	75 psi	125 psi	150 psi	
6252AJG	1½" x 2½"	Female x Female	4¼	3½	18	1998	2914	4259	5939	9299	10970	KE1100
6252FJG	1½" x 2½"	Flanged x Female				1998	2914	4259	5939	9299	10970	KE1105
6252FJH	2" x 2½"	Flanged x Female				1998	2914	4259	5939	9299	10970	KE1110
6252FJJ	2½" x 2½"	Flanged x Female				1998	2914	4259	5939	9299	10970	KE1115
6252AKH	2" x 3"	Female x Female	4⅝	4	18¼	2824	4119	6019	8394	13140	15510	KE1120
6252FKH	2" x 3"	Flanged x Female				2824	4119	6019	8394	13140	15510	KE1125
6252FKJ	2½" x 3"	Flanged x Female				2824	4119	6019	8394	13140	15510	KE1130
6252FKK	3" x 3"	Flanged x Female				2824	4119	6019	8394	13140	15510	KE1135
6252ALJ	2½" x 4"	Female x Female	5½	4¾	21½	4382	6391	9339	13020	20390	24070	KE1140
6252FLJ	2½" x 4"	Flanged x Female				4382	6391	9339	13020	20390	24070	KE1145
6252FLK	3" x 4"	Flanged x Female				4382	6391	9339	13020	20390	24070	KE1150
6252FLM	4" x 4"	Flanged x Female				4382	6391	9339	13020	20390	24070	KE1155
6252AMK	3" x 4"	Female x Female	5⅝	5⅝	21¾	5550	8097	11830	16490	25830	30500	KE1160
6252FMK	3" x 4"	Flanged x Female				5550	8097	11830	16490	25830	30500	KE1165
6252FMM	4" x 4"	Flanged x Female				5550	8097	11830	16490	25830	30500	KE1170
6252KNM	4" x 6"	Flanged x Flanged	6¾	7¼	22½	6657	9711	14180	19780	30980	36580	KE1175
6252KPM	4" x 6"	Flanged x Flanged				9795	14280	20870	29110	45580	53820	KE1180
6252KQP	6" x 8"	Flanged x Flanged	9¼	10	39⅝	17020	24830	36280	50600	79230	93550	KE1185
6252KRP	6" x 8"	Flanged x Flanged				24670	35990	52600	66420	114800	135600	KE1190

Relief Valves for Steam Boilers & Liquid Backpressure



Relief Valves for Steam Boilers and other Pressured Vessels

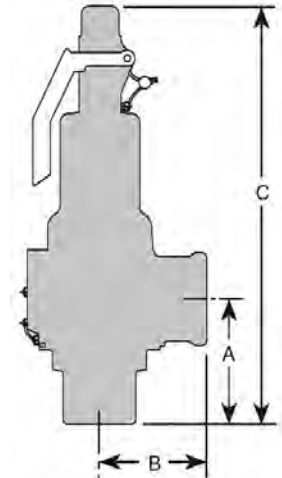
KUNKLE bronze safety relief valves come in a variety of male pipe sizes and pressure ratings.

- Please specify the **set relief pressure** (the set pressure the valve with discharge condensate).
- Available sizes from 1/2" to 3".
- Maximum pressure setting: 300 psi; temp. 425° F.
- All connections are Male npt inlet x Female npt outlet

Applications include:

- Steam boilers and generators.
- Air/gas compressors;
- Pressure vessels containing steam, air or non-hazardous gas.
- Including tanks, receivers, sterilizers and autoclaves.
- Pressure reducing valves; allows protection of the discharge or low pressure side of the system.

Below: See valve capacity at different set pressures. Specify any set pressure (from 5 to 300 psi) you need!



When ordering please specify the desired relief valve discharge pressure — Anywhere from 5 to 300 psi.

Model No.	Pipe Size Male inlet x Female outlet	Dimensions			Discharge in pounds per hour (PPH) at the set pressures shown								Order No.
		A	B	C	15 psi	30 psi	50 psi	75 psi	100 psi	125 psi	150 psi	200 psi	
6010DC01	1/2 X 3/4"	2 1/8	1 5/8	6 1/2	170	260	380	530	680	830	980	1280	KE1005
6010ED01	3/4 X 1"	2 3/8	1 3/4	7 1/2	303	464	678	946	1212	1479	1747	2282	KE1010
6010FE01	1 X 1 1/4"	2 5/8	2	8 1/2	475	725	1061	1479	1899	2318	2736	3574	KE1015
6010GF01	1 1/4 X 1 1/2"	3 1/8	2 3/8	9 5/8	778	1191	1739	2426	3111	3797	4483	5855	KE1020
6010HG01	1 1/2 X 2"	3 5/8	2 3/4	10 5/8	1215	1858	2714	3784	4855	5925	6996	9138	KE1025
6010JH01	2 X 2 1/2"	4 1/4	3 3/8	13 5/8	1991	3045	4449	6205	7960	9716	11471	14982	KE1030

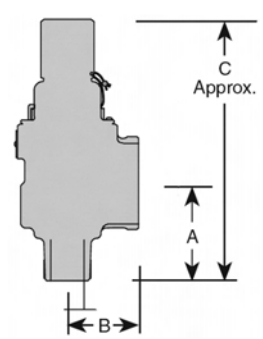


All valves male inlet x female outlet

Kunkle Relief Valves for Liquid Backpressure

Features:

- Non-code liquid relief. ■ Not for use on pressure-fired vessels (boilers, water heaters, etc.).
- Overpressure relief and protection of pumps, holding tanks, lines and hydraulic systems.
- Pressure regulation and backpressure relief to 50 psi.
- Continuous by-pass relief. ■ Max. Temp: 406°.



Model No.	Pipe Size Male x Female	Dimensions			Capacities in GPM at discharge pressures shown								Order No.
		A	B	C	20 psi	40 psi	60 psi	80 psi	100 psi	120 psi	150 psi	200 psi	
20 C01	1/2"	2	1 5/8	5 7/8	4	6	7	8	9	10	11	13	KE1200
20 D01	3/4"	2	1 5/8	5 7/8	9	13	16	19	21	23	25	29	KE1205
20 E01	1"	2 1/4	1 7/8	6 3/4	16	23	28	32	36	39	44	50	KE1210
20 F01	1 1/4"	2 5/8	2 1/8	8 1/8	28	39	48	55	62	68	76	88	KE1215
20 G01	1 1/2"	2 3/4	2 1/8	8 5/8	43	61	75	87	97	106	119	137	KE1220
20 H01	2"	3 1/2	2 3/4	10 5/8	84	118	156	167	187	205	229	264	KE1225
20 J01	2 1/2"	3 7/8	3	10	137	193	237	274	306	335	375	433	KE1230
20 K01	3"	4 5/8	3 7/8	12 1/4	200	282	346	399	446	489	546	631	KE1235