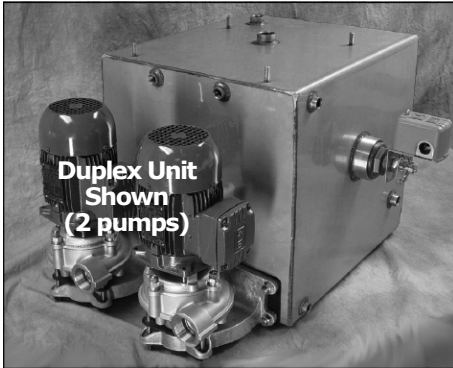


# Stainless Steel Condensate Pumps for Steam Heat

## Aggressive Water? Stainless Steel Weighs Less, More Durable!

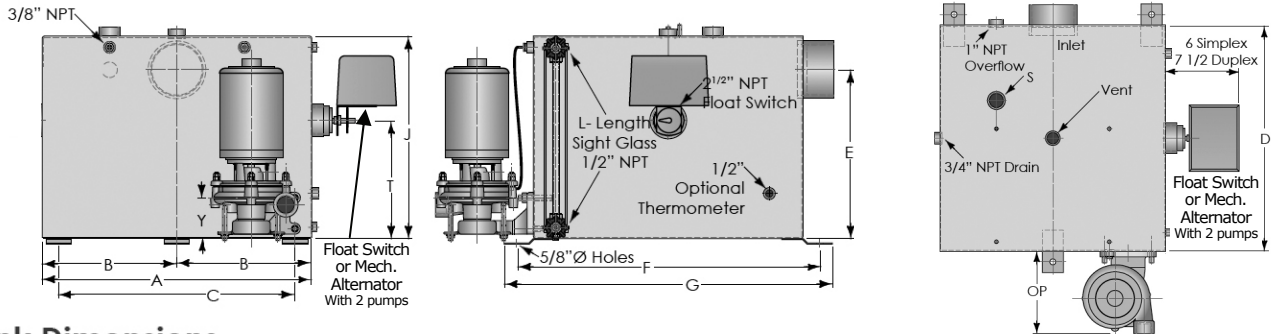


Fabtek Aero Stainless Steel Condensate Return Units provide stainless steel tanks for durability, long life, light weight and comparably priced to cast iron!

- Compact dimensions and light weight make it a simple task to replace your old cast iron unit. Better durability and lighter weight!
- Tanks have a 20 year warranty against corrosion and are made from 12 gauge 304 SS with internal ribbing where needed for excellent strength.
- Available in five standard sizes; 12,25,45, 70 and 100 gallon capacities (custom sizes and configurations as required); tanks only, and in simplex or duplex pump configuration. SS Gauge Glass assembly and HD glass included.
- Pumps are made of investment cast stainless steel. The single-stage impeller is a semi-open design allowing for occasional pumping of small solids without clogging. 18-month warranty on the pumps.
- Pumps with 250°F mechanical seals, equipped with a seal cavity bleed line to prevent premature seal failure. Pump discharge openings are NPT.

Select from 2 standard motors: Nema 1 three phase, 208/230/460V **TEFC** or Nema 1 single phase, 115/208/230V **ODP**. Other motors include explosion proof, wash down duty, and any other motor available with a 56C frame.

### DIMENSIONS



### Tank Dimensions

Tank Size	Inlet	Vent	A (width)	B	C	D (Depth)	E	F	G	H*	J (Height)	S	T
12	2	1	15	7 1/2	14 1/4	15	8 1/2	17	19 3/16	9	13 1/2	3/4	7
25	4	1	18	9	15	18	15	23	25 3/16	10	18	3/4	10 1/2
45	4	1 1/2	24	12	21 1/16	24	15	27	29 3/16	16	18	1 1/2	10 1/2
70	4	1 1/2	30	15	27 1/16	30	15	33	35 3/16	22 1/16	18	1 1/2	10 1/2
100	4	1 1/2	36	18	33 3/16	36	15	39	41 3/16	28	18	1 1/2	10 1/2
135	4	1 1/2	36	18	33 3/16	36	21	39	41 3/16	28	24	---	16 1/2

\*Duplex Tank Only

### Pump Dimensions

Model	Pump Size		OP	Y	Z
	Disch.	Imp. Ø			
C4AB	1/2	4	8	2 1/16	2 5/16
C4BC	3/4	4	6 3/4	2 1/8	2 7/16
C4CD	1	4	8 3/16	2 3/8	2 3/4
C4DE	1 1/4	4	8 3/8	2 5/8	2 3/4
C4EF	1 1/2	4	8 3/8	2 15/16	2 13/16
C5AB	1/2	5	8 1/2	2 3/16	2 3/4
C5BC	3/4	5	8 1/2	2 3/16	2 13/16
C5CD	1	5	8 5/8	2 3/8	3
C5DE	1 1/4	5	9 3/16	2 11/16	3 1/16
C6AB	1/2	6	8 7/8	2 3/8	3 5/16
C6BC	3/4	6	9 3/8	2 3/16	3 1/4
C6CD	1	6	10 1/16	3	3 3/16

Note: OP Dimension will be 3" longer with optional isolation valve is added

### Accessories and Replacement Parts

Product Description	Order No.
Replacement Heavy-Duty Gage Glass, 5/8 x 12"	<b>GF1045</b>
Replacement Heavy-Duty Gage Glass, 5/8 x 18"	<b>GF1060</b>
Replacement Heavy-Duty Gage Glass, 5/8 x 24"	<b>GF1065</b>
Complete Replacement Float Switch Assembly	<b>SF5005</b>
Complete Replacement Mechanical Alternator	<b>DL1366</b>
Pressure and Temperature gauge, 1/2" lower back connection. 60 to 260° F, 0 to 50 pound pressure psi.	<b>UA1256</b>

### Order Guide for Pumps on Next Page ►

# Order Guide: Stainless Steel Condensate Pumps

**Comparably Priced to Cast Iron, Weighs Less and Lasts Longer!**

Model No.	No. of Pumps	Voltage	EDR Rating	Max. Pump Pressure	Pump GPM	Pump Discharge NPT	Tank Size (gallons)	Motor H.P.	Order No.
1220C4AB1S	1	115/208/230	6,000	20	9	1/2"	12	1/3	<b>AZ1010</b>
1220C4AB3S	1	208/230/460		20		1/2"			<b>AZ1015</b>
1220C4AB1D	2	115/208/230		20		1/2"			<b>AZ1020</b>
1220C4AB3D	2	208/230/460		20		1/2"			<b>AZ1025</b>
1230C5AB1S	1	115/208/230		30		1/2"		1	<b>AZ1030</b>
1230C5AB3S	1	208/230/460		30		1/2"			<b>AZ1035</b>
1230C5AB1D	2	115/208/230		30		1/2"			<b>AZ1040</b>
1230C5AB3D	2	208/230/460		30		1/2"			<b>AZ1045</b>
2520C4AB1S	1	115/208/230	10,000	20	15	1/2"	25	1/2	<b>AZ1070</b>
2520C4AB3S	1	208/230/460		20		1/2"			<b>AZ1075</b>
2520C4AB1D	2	115/208/230		20		1/2"			<b>AZ1080</b>
2520C4AB3D	2	208/230/460		20		1/2"			<b>AZ1085</b>
2530C5BC1S	1	115/208/230		30		3/4"		1	<b>AZ1090</b>
2530C5BC3S	1	208/230/460		30		3/4"			<b>AZ1095</b>
2530C5BC1D	2	115/208/230		30		3/4"			<b>AZ1100</b>
2530C5BC3D	2	208/230/460		30		3/4"			<b>AZ1105</b>
2520C4AB1S	1	115/208/230	15,000	20	22.5	1/2"	25	1/2	<b>AZ1130</b>
2520C4AB3S	1	208/230/460		20		1/2"			<b>AZ1135</b>
2520C4AB1D	2	115/208/230		20		1/2"			<b>AZ1140</b>
2520C4AB3D	2	208/230/460		20		1/2"			<b>AZ1145</b>
2530C5BC1S	1	115/208/230		30		3/4"		1-1/2	<b>AZ1150</b>
2530C5BC3S	1	208/230/460		30		3/4"			<b>AZ1155</b>
2530C5BC1D	2	115/208/230		30		3/4"			<b>AZ1160</b>
2530C5BC3D	2	208/230/460		30		3/4"			<b>AZ1165</b>
4520C4CD1S	1	115/208/230	20,000	20	30	1"	45	3/4	<b>AZ1190</b>
4520C4CD3S	1	208/230/460		20		1"			<b>AZ1195</b>
4520C4CD1D	2	115/208/230		20		1"			<b>AZ1200</b>
4520C4CD3D	2	208/230/460		20		1"			<b>AZ1205</b>
4530C5BC1S	1	115/208/230		30		3/4"		1-1/2	<b>AZ1210</b>
4530C5BC3S	1	208/230/460		30		3/4"			<b>AZ1215</b>
4530C5BC1D	2	115/208/230		30		3/4"			<b>AZ1220</b>
4530C5BC3D	2	208/230/460		30		3/4"			<b>AZ1225</b>
4520C4CD1S	1	115/208/230	25,000	20	37.5	1"	45	3/4	<b>AZ1250</b>
4520C4CD3S	1	208/230/460		20		1"			<b>AZ1255</b>
4520C4CD1D	2	115/208/230		20		1"			<b>AZ1260</b>
4520C4CD3D	2	208/230/460		20		1"			<b>AZ1265</b>
4530C5CD1S	1	115/208/230		30		1"		1-1/2	<b>AZ1270</b>
4530C5CD3S	1	208/230/460		30		1"			<b>AZ1275</b>
4530C5CD1D	2	115/208/230		30		1"			<b>AZ1280</b>
4530C5CD3D	2	208/230/460		30		1"			<b>AZ1285</b>
4520C4CD1S	1	115/208/230	30,000	20	45	1"	45	3/4	<b>AZ1300</b>
4520C4CD3S	1	208/230/460		20		1"			<b>AZ1305</b>
4520C4CD1D	2	115/208/230		20		1"			<b>AZ1310</b>
4520C4CD3D	2	208/230/460		20		1"			<b>AZ1315</b>
4530C5CD1S	1	115/208/230		30		1"		2	<b>AZ1320</b>