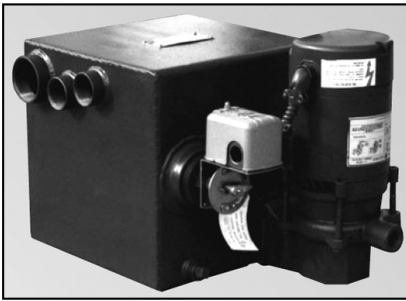


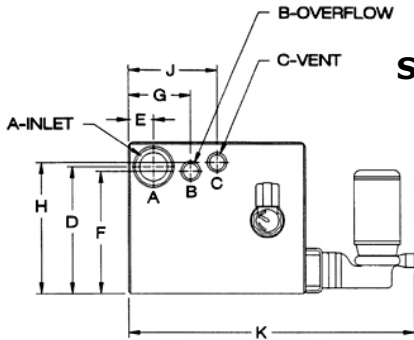
Condensate Pumps for Steam Heating Systems



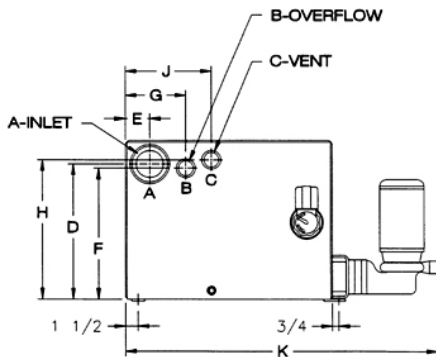
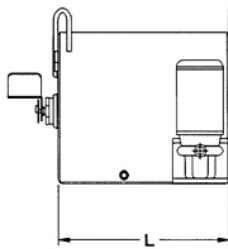
Shipco LP Condensate Pumps with Steel Tanks

These Shipco LP condensate pumps are designed for many years of dependable service with low maintenance. The 3500 RPM pump motor operation provides low inertia for long-lasting intermittent "on-off" operation.

- Heavy Wall Steel Receiver provides years of service.
- Float Switches (simplex) and Mechanical Alternators (duplex) with stainless steel float and rod provide optimum levels in the receiver for pump operation.
- Driven by 110 pumps: factory wired for 115 volts. Motor and float switch can be field wired for 230/1/60 operation.
- Pump has no internal bearings (Motor bearings refer to motor manufacturer's instructions).
- LP Units handle condensate up to 200°F.
- Select from simplex (1 pump) or duplex (2 pump) styles.

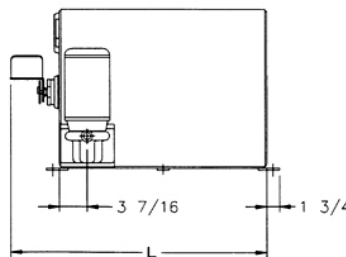


Simplex Style — 7½ gallon

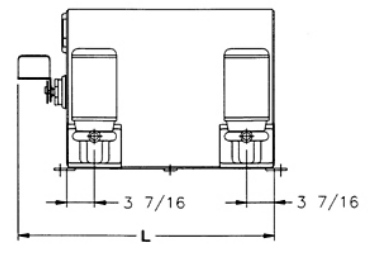


Simplex & Duplex Style — 15 and 21 gallon tanks

Simplex - 1 pump



Duplex - 2 pumps



Dimensions

Gallons	Tank Size	A	B	C	D	E	F	G	H	J	K	L
7½	12¼ x 12¼ x 12¼	2	1¼	1¼	10⅞	1¾	10	4¾	10⅝	7¼	23⅞	20
15	16 x 16 x 13	2	1¼	1¼	10⅞	1¾	10¾	4¾	11⅜	7¼	26⅞	24
21	18¼ x 18¼ x 15¼	2	1¼	1¼	13⅜	1¾	13¼	4¾	13⅞	7¼	29⅞	26
35	20¼ x 20¼ x 20¼	3	1½	1½	17½	2⅞	17	7⅞	18	10⅞	31⅞	28

ORDERING GUIDE

Pump GPM	Pump Discharge Pressure	Motor Speed	Pump HP (115/230V)	Pump Discharge NPT Size	Tank Size (Gallons)	Shipco Simplex Model No.	Simplex Order No.	Shipco Duplex Model No.	Duplex Order No.	
12	20 psi	3500	1/3	3/4"	7½	80LP	SF1005	—	N/A	
12	25 psi		1/2		7½	80LP-25	SF1006	—	N/A	
15	20 psi		1/3		15	120LP	SF1010	120LPD	SF1015	
15	25 psi		1/2		15	120LP-25	SF1015A	120LPD-25	SF1015B	
18	20 psi	1"	1/3	1"	21	150LP	SF1016A	150LPD	SF1016	
18	25 psi		1/2		21	150LP-25	SF1016B	150LPD-25	SF1016C	
22½	20 psi		1/2		1/2	21	180LP	SF1017A	180LPD	SF1017
						21	180LP	SF1017A	180LPD	SF1017