

Steam Pressure & Temperature Control Valves

Spence Steam Pressure and Temperature Control VALVES

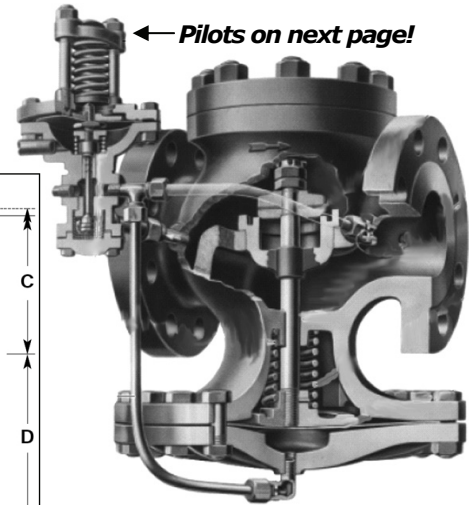
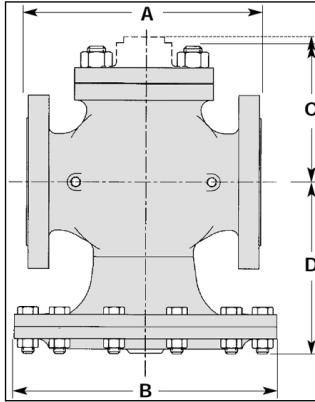
First, select your Spence Main valve. Second, (next page) select the Pilot (pressure, temperature) for the valve. Replacement components and repair parts are shown throughout the ordering guides.

- FEATURES:** ■ Normally closed ■ Single ■ Balanced metal diaphragms ■ Protected main spring ■ Easy in-line maintenance ■ Wide variety of pilots for pressure and temperature applications ■ Minimum operating pressure 10 psi. ■ See next page for pilot ordering information.

The Main Valve Kit includes: Gasket, Stem and Stem Nut, Disc, Seat Ring, Spring, Dowel Pin, Pressure Plate & Diaphragm. This kit will get your valve working like new!

- See next page for pilot ordering information.

Dimensions

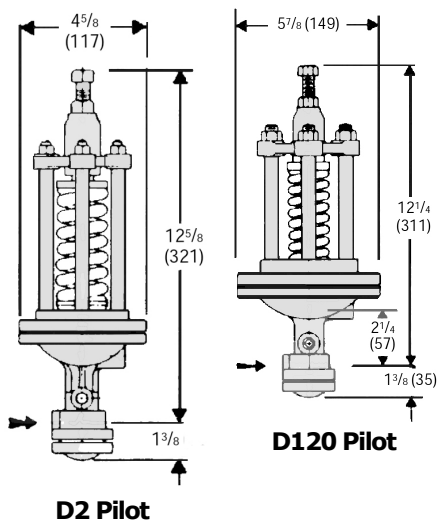
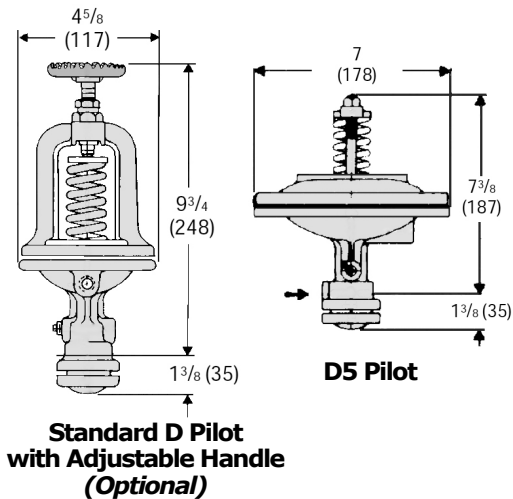
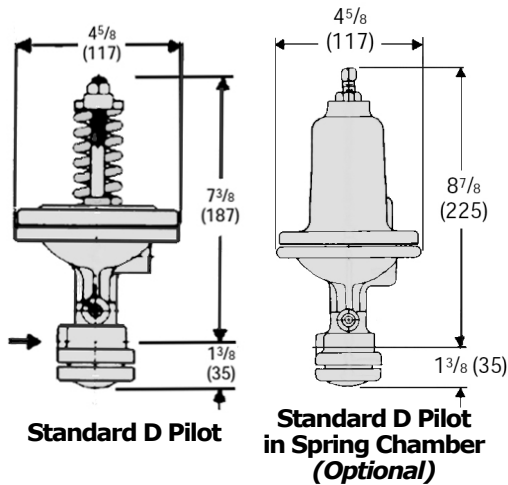


Flanged style with pressure pilot above

Valve Size	Connection Style	Maximum Pressure and Temperature	Complete Valve Order No.	Main Valve Repair Kit Order No.	Main Valve Diaphragm Only	Valve Weight (lbs.)	Dimensions			
							A	B	C	D
LOW Pressure E2 Main Valves: operating pressures up to 15 pounds psig							A	B	C	D
3/4"	Threaded	15 psig @ 250°	SR1100	SR1101	SR1107	18	4 ³ / ₈	6 ¹ / ₂	2 ⁷ / ₈	5 ¹ / ₄
1"			SR1105	SR1106	SR1107	23	5 ³ / ₈	7	3 ⁵ / ₈	6 ¹ / ₄
1-1/4"			SR1110	SR1111	SR1112	33	6 ¹ / ₂	7 ⁷ / ₈	4 ¹ / ₈	6 ¹ / ₂
1-1/2"			SR1115	SR1116	SR1117	43	7 ¹ / ₄	8 ³ / ₄	4 ³ / ₈	7 ¹ / ₈
2"			SR1120	SR1121	SR1122	62	7 ¹ / ₂	9 ⁷ / ₈	5 ¹ / ₄	7 ⁵ / ₈
2"	Flanged	15 psig @ 250°	SR1125	SR1121	SR1122	73	8 ¹ / ₂	9 ⁷ / ₈	5 ¹ / ₄	7 ⁵ / ₈
2-1/2"			SR1130	SR1131	SR1132	95	9 ³ / ₈	10 ⁷ / ₈	5 ³ / ₄	8 ³ / ₈
3"			SR1135	SR1136	SR1137	125	10	11 ³ / ₄	6 ⁵ / ₈	9 ¹ / ₄
4"			SR1140	SR1141	SR1142	210	11 ⁷ / ₈	14 ³ / ₄	7 ⁵ / ₈	11 ⁷ / ₈
5"			SR1145	SR1146	SR1147	295	13 ⁵ / ₈	16 ⁷ / ₈	8 ¹ / ₂	12 ¹ / ₂
6"			SR1150	SR1151	Call	420	15 ¹ / ₈	19 ³ / ₄	10	14 ¹ / ₈
8"			SR1155	Parts Only		700	19	22 ¹ / ₂	11 ¹ / ₂	17 ¹ / ₄
HIGH Pressure E Main Valves: operating pressures from 15 to 250 pounds psig										
1/2"	Threaded	250 psig @ 450°	SR1010	SR1011	SR1012	14	4 ³ / ₈	5 ⁷ / ₈	2 ³ / ₄	5 ¹ / ₄
3/4"			SR1015	SR1016	SR1017	18	4 ³ / ₈	6 ¹ / ₂	2 ⁷ / ₈	5 ¹ / ₄
1"			SR1020	SR1021	SR1023	23	5 ³ / ₈	7	3 ⁵ / ₈	6 ¹ / ₄
1-1/4"			SR1025	SR1026	SR1028	33	6 ¹ / ₂	7 ⁷ / ₈	4 ¹ / ₈	6 ¹ / ₂
1-1/2"			SR1030	SR1036	SR1037	43	7 ¹ / ₄	8 ³ / ₄	4 ³ / ₈	7 ¹ / ₈
2"			SR1040	SR1046	SR1047	62	7 ¹ / ₂	9 ⁷ / ₈	5 ¹ / ₄	7 ⁵ / ₈
1"	Flanged	250 psig @ 450°	SR1022	SR1021	SR1023	26	5 ¹ / ₂	7	3 ⁵ / ₈	6 ¹ / ₄
1-1/4"			SR1027	SR1026	SR1028	37	6 ³ / ₄	7 ⁷ / ₈	4 ¹ / ₈	6 ¹ / ₂
1-1/2"			SR1035	SR1036	SR1037	47	6 ⁷ / ₈	8 ³ / ₄	4 ³ / ₈	7 ¹ / ₈
2"			SR1045	SR1046	SR1047	73	8 ¹ / ₂	9 ⁷ / ₈	5 ¹ / ₄	7 ⁵ / ₈
2-1/2"			SR1050	SR1051	SR1052	95	9 ³ / ₈	10 ⁷ / ₈	5 ³ / ₄	8 ³ / ₈
3"			SR1055	SR1056	SR1057	125	10	11 ³ / ₄	6 ⁵ / ₈	9 ¹ / ₄
4"			SR1060	SR1061	SR1062	210	11 ⁷ / ₈	14 ³ / ₄	7 ⁵ / ₈	11 ⁷ / ₈
5"			SR1065	SR1066	SR1067	295	13 ⁵ / ₈	16 ⁷ / ₈	8 ¹ / ₂	12 ¹ / ₂
6"			SR1070	SR1071	SR1072	420	15 ¹ / ₈	19 ³ / ₄	10	14 ¹ / ₈
8"	SR1075	Parts Only	Call	700	19	22 ¹ / ₂	11 ¹ / ₂	17 ¹ / ₄		

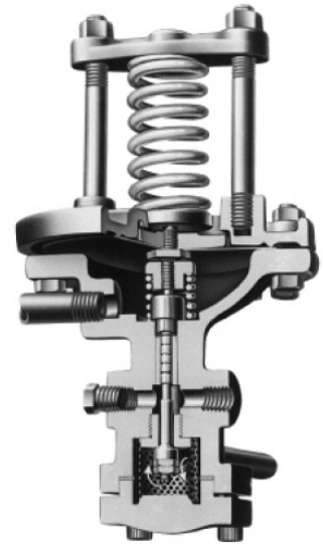
Steam Pressure & Temperature Control Valves

Spence Steam Pressure Control Pilots



Once you select a Spence main valve, or you simply need to repair an existing pilot, and you're looking for pressure control — It's time to select a pressure pilot and their repair parts.

When you need accurate control of the downstream pressure! Pick a Series E or E2 main valve, and choose from one of the pressure pilots below. Adjustable pressure settings within the range shown. Also, the appropriate REPAIR KIT, containing all the necessary parts to repair the pilot, are shown.



D Pressure Pilot

Pressure Pilot No.	Adjustable Range	Spring Color	Complete Pilot Order No.	Repair Kit for Pilot
Standard D	3 to 20 psi	Aluminum	SR1001	SR1005
	5 to 50 psi	Orange	SR1002	SR1005
	10 to 100 psi	Green	SR1003	SR1005
	20 to 150 psi	Black	SR1004	SR1005
D2	100 to 300 psi	Aluminum	SR1006	SR1007
D5	1 to 10	Aluminum	SR1008	SR1008K
	5 to 25	Orange	SR1008A	SR1008K
D120	5 to 25	Un-colored spring	SR1009	SR1009K
	10 to 75		SR1009A	SR1009K
	40 to 150		SR1009B	SR1009K

Steam Pressure & Temperature Control Valves

Spence Steam Temperature Control Pilots

When tight steam temperature control is critical, choose a Series "T" temperature pilot from the table below (you can combine both pressure and temperature pilots on your main valve). All pilots come standard with the No. 700 bronze bulb, bronze well, 3/4" tank connection union and 10 feet of brass flexible tubing. If necessary, other bulb types are available. Pick the temperature range you need. Hand wheel for temperature adjustment standard.

■ **Pilot REPAIR KIT** includes: Diaphragm Screw, Pusher Plate, Valve Spring, Seat Ring, Gasket, Pressure Plate, Diaphragm, Steam & Stem Nut, Screen and Disc



T134 Temperature Pilot

Pilot Model No.	Temperature Pilot Description	Temperature Range (F)	Complete Pilot Assembly	Repair Kit for Pilot Assy.
T14	The T14 is designed to provide accurate temperature control of storage heaters, Oil tanks, Vats, Kettles, & other slow responding heat exchangers opening and closing on only a degree or two change. ■ 10 feet of capillary.	50 to 150°	SR1200	SR1216
T14		120 to 220°	SR1205	SR1216
T14		150 to 300°	SR1210	SR1216
T14		250 to 350°	SR1215	SR1216
T124	Both the T124 and T134 pilots, feature the dual control of both temperature and pressure modulation. ■ Designed for Instantaneous Water Heaters, Converters, Oil Pre-heaters, Make-Up Air Heaters and other once-through exchangers that respond quickly to load changes. ■ 10 feet of capillary.	50 to 150°	SR1220	SR1236
T124		120 to 220°	SR1225	SR1236
T124		150 to 300°	SR1230	SR1236
T124		250 to 350°	SR1235	SR1236
T134		50 to 150°	SR1240	SR1256
T134		120 to 220°	SR1245	SR1256
T134		150 to 300°	SR1250	SR1256
T134		250 to 350°	SR1255	SR1256

