

Boiler Feed Pumps for Steam Heating Systems

Sterling 3500 Series, High Capacity Boiler Feed Pumps with Elevated Steel Tanks

3500 series, 210 gallon, duplex model with options shown below.



- These pumps are special ordered from the factory. Depending upon time-of-year, it may take from 10 days to 3 weeks to ship these boiler feed pumps.
- Other sizes and styles are available — The 3500 series 33, 49, 65 and 95 gallon tank size boiler feed pumps are not shown here, but are available.
- Models ending in “-GF” have 3/4” pump discharge; models ending in “-JF” have a 1-1/2” pump discharge.
- If your steam heating requirements allow you to use the smaller tank models, check-out the Sterling boiler feed model 4100 on the preceding pages.
- You need to select the correct voltage: Single phase at 115 volts (can be field wired to 230 volt) or Three phase at 208-230/460 volts.

Boiler HP Range	Pump Discharge Pressure	Pump GPM Capacity	Motor HP	Tank Size (gals.)	Simplex Models				Duplex Models			
					Model No	1 phase Model	3 phase Model	Weight (lbs.)	Model No	1 phase Model	3 phase Model	Weight (lbs.)
100 to 150	20 psi	30	3/4	146	352150-GF	ST4000	ST4005	720	352150-GDF	ST4010	ST4015	790
	30		1		353150-JF	ST4020	ST4025	740	353150-JDF	ST4030	ST4035	830
	40		1-1/2		354150-JF	ST4040	ST4045	750	354150-JDF	ST4050	ST4055	850
	50		3		355150-JF	ST4060	ST4065	770	355150-JDF	ST4070	ST4075	890
150 to 200	20	40	1	210	352200-JF	ST4080	ST4085	930	352200-JDF	ST4090	ST4095	1020
	30		1-1/2		353200-JF	ST4100	ST4105	935	353200-JDF	ST4110	ST4115	1030
	40		2		354200-JF	ST4120	ST4125	940	354200-JDF	ST4130	ST4135	1040
	50		3		355200-JF	ST4140	ST4145	960	355200-JDF	ST4150	ST4155	1080
200 to 250	20	50	1	264	352250-JF	ST4160	ST4165	990	352250-JDF	ST4170	ST4175	1085
	30		1-1/2		353250-JF	ST4180	ST4185	995	353250-JDF	ST4190	ST4195	1095
	40		2		354250-JF	ST4200	ST4205	1010	354250-JDF	ST4210	ST4215	1125
	50		3		355250-JF	ST4220	ST4225	1015	355250-JDF	ST4230	ST4235	1135
250 to 300	20	60	1-1/2	326	352300-JF	ST4240	ST4245	1075	352300-JDF	ST4250	ST4255	1175
	30		2		353300-JF	ST4260	ST4265	1090	353300-JDF	ST4270	ST4275	1205
	40		2		354300-JF	ST4280	ST4285	1090	354300-JDF	ST4290	ST4295	1205
	50		5		355300-JF	ST4300	ST4305	1145	355300-JDF	ST4310	ST4315	1315
300 to 400	20	80	2	395	352400-JF	ST4320	ST4325	1170	352400-JDF	ST4330	ST4335	1285
	30		3		353400-JF	ST4340	ST4345	1175	353400-JDF	ST4350	ST4355	1295
	40		3		354400-JF	ST4360	ST4365	1175	354400-JDF	ST4370	ST4375	1295
	50		5		355400-JF	ST4380	ST4385	1225	355400-JDF	ST4390	ST4395	1395
400 to 500	20	100	2	470	352500-JF	ST4400	ST4405	1335	352500-JDF	ST4410	ST4415	1450
	30		3		353500-JF	ST4420	ST4425	1340	353500-JDF	ST4430	ST4435	1460
	40		3		354500-JF	ST4440	ST4445	1340	354500-JDF	ST4450	ST4455	1460
	50		5		355500-JF	ST4460	ST4465	1390	355500-JDF	ST4470	ST4475	1560
500 to 600	20	120	2	595	352600-JF	ST4480	ST4485	1440	352600-JDF	ST4490	ST4495	1555
	30		3		353600-JF	ST4500	ST4505	1445	353600-JDF	ST4510	ST4515	1565
	40		5		354600-JF	ST4520	ST4525	1495	354600-JDF	ST4530	ST4535	1665
	50		5		355600-JF	ST4540	ST4545	1495	355600-JDF	ST4550	ST4555	1665
600 to 700	20	140	3	714	352700-JF	ST4560	ST4565	1555	352700-JDF	ST4570	ST4575	1675
	30		5		353700-JF	ST4580	ST4585	1605	353700-JDF	ST4590	ST4595	1775
	40		5		354700-JF	ST4600	ST4605	1605	354700-JDF	ST4610	ST4615	1775
	50		7-1/2		355700-JF	ST4620	ST4625	1615	355700-JDF	ST4630	ST4635	1795

Boiler Feed Pumps for Steam Heating Systems

Dimension Guide for 3500 Series Boiler Feed Pumps with Elevated Steel Tanks

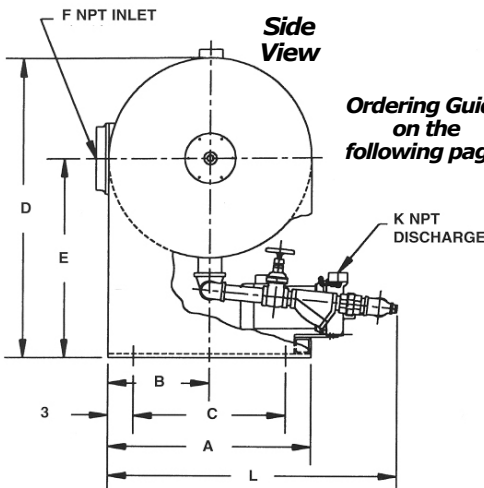
- **Receiver:** Minimum 3/16" heavy steel construction. Receivers from 33 through 95 gallon size (not shown here) are center supported, while receivers of 117 gallon up through 714 gallon size (shown to the side and below) are end supported.
- **Motors:** Heavy-duty, ball bearing, close-coupled pump motors with stainless steel shaft. 3450 RPM for greater efficiency and more economical operation.
- **Make-up Water Valve:** Mechanical valve with stainless steel float. These are plug mounted for center supported tanks and flange mounted for end supported tanks. Rated up to 45 PSI inlet water pressure. At pressures exceeding 45 PSI, a PRV is required on the inlet cold water line.
- **Operation:** Boiler feed pumps are controlled by a water level controller mounted on the boiler. If condensate is lost or delayed in the system, it is automatically replaced in the receiver through the make-up water valve.
- **Pump Seal:** Features the ultimate in ceramic technology for exceptionally long life. Because the seal runs on the bronze impeller hub, the motor shaft is literally outside the pump. Consequently, the shaft is not exposed to corrosion by condensate. The seal is rated for temperatures up to 250° F.
- **Centrifugal Pump:** "G" pumps have a 3/4" discharge; "J" pumps have a 1-1/2" discharge

3500 Series Boiler Feed Pumps



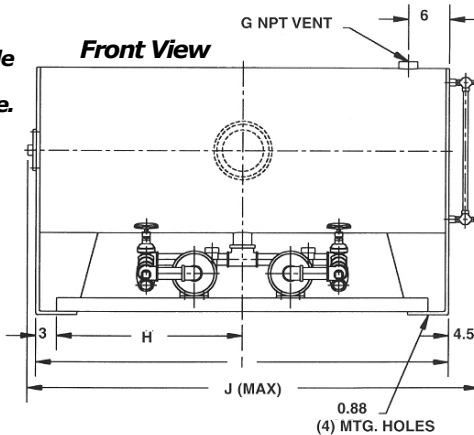
210 gallon unit shown with Optional Control Panel, Solenoid Operated Make-Up Water Valve, Steam Preheat Tube and 150 Series Temperature Control Valve

Elevated Tanks protect you from steam and pump cavitation problems.



Ordering Guide on the following page.

3500 Boiler Feed Dimensions (inches)



If your system's steam traps need repair they may be leaking steam into your return condensate piping. You may experience pump cavitation problems — your pump impeller spins wildly among steam and hot water. You may hear "marbles" dangling around in your pump. Pumping capacity is severely reduced.

You don't want steam entering your pumps! Fix your traps!

Elevated tanks allow for more condensate pressure to be placed over the inlet side of the pump, thereby significantly reducing the chance for steam to enter the pump.

Tank Size (gals.)	A	B	C	D	E	F	G	H	I	J	K		L
											With "G" pump	With "J" pump	
117	24	12	18	36	24	6	2	27	60	67	3/4" Pipe Size	1-1/2" Pipe Size	36
146	27	13.5	21	39	25.5			27	60	67			39
175	30	15	24	42	27			27	60	67			42
210	32	16	26	44	28			27	60	67			44
264	36	18	30	48	30			27	60	67			48
326	40	20	34	52	32			27	60	67			52
395	40	20	34	52	32			33	72	79			52
470	48	24	42	60	36			27	60	67			60
564	48	24	42	60	36			33	72	79			60
595	54	27	48	66	39			27	60	67			66
714	54	27	48	66	39			33	72	79			66