

Boiler Feed Pumps for Steam Heating Systems

Series 4100 "G" Boiler Feed Pumps with Steel Receiver Tanks for Low-Pressure Steam Boilers

Boiler feed pumps store the returning condensate in their large receiver tanks. Once the boiler control (quite often a McDonnell-Miller No. 150) "calls" for water, the pumps kick-on until the boiler control tells the pump to "stop." These Sterling brand boiler feed pumps are pre-packaged and sold based on the horsepower of your boiler.

- **20 psi pumping pressure.** Select from Simplex (1 pump) or Duplex (2 pump) models.
- 1-phase motors wired 115V, field convertible to 230V; 3-phase motors @ 208-230/460V.
- Mechanical water make-up valves and gauge glass standard on all models.
- Select the pump & tank combination that most closely matches your boiler's horsepower.
- The receiver is sized to handle the condensate from the maximum Boiler HP (BHP) shown.
- The 20 pound psi pumps offered below assumes your boiler operating pressure is not more than 10 psi and you are not pumping "up" more than 10 to 12 feet.



20 psi pumping pressure
Duplex model shown

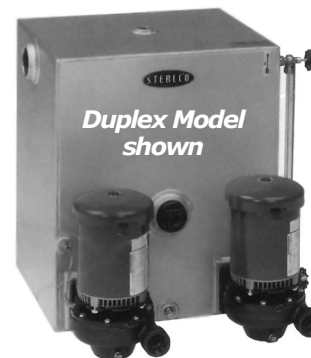
Sterling Model No.	Maximum Boiler HP Rating	Pump Discharge Pressure (psi)	Simplex (1 pump) or Duplex (2 pumps)	Pump HP	Motor Voltage	Motor RPM	Minimum GPM Pumped	Tank Capacity	Wgt. (lbs.)	Order No.
Boiler feed packages for Boilers up to 15 BHP										
4122GMX-30GG	15	20 psi	Simplex	1/3 hp	1 phase	3450 rpm	3	30	200	ST2000
4122GMX-30GG					3 phase				200	ST2005
4122GDMX-30GG			Duplex		1 phase				240	ST2010
4122GDMX-30GG					3 phase				240	ST2015
Boiler feed packages for Boilers up to 30 BHP										
4124GMX-30GG	30	20 psi	Simplex	1/3 hp	1 phase	3450 rpm	6	30	200	ST2080
4124GMX-30GG					3 phase				200	ST2085
4124GDMX-30GG			Duplex		1 phase				240	ST2090
4124GDMX-30GG					3 phase				240	ST2095
Boiler feed packages for Boilers up to 45 BHP										
4126GMX-45GG	45	20 psi	Simplex	1/3 hp	1 phase	3450 rpm	9	45	240	ST2160
4126GMX-45GG					3 phase				240	ST2165
4126GDMX-45GG			Duplex		1 phase				280	ST2170
4126GDMX-45GG					3 phase				280	ST2175
Boiler feed packages for Boilers up to 60 BHP										
4128GMX-60GG	60	20 psi	Simplex	1/3 hp	1 phase	3450 rpm	12	60	275	ST2240
4128GMX-60GG					3 phase				275	ST2245
4128GDMX-60GG			Duplex		1 phase				335	ST2250
4128GDMX-60GG					3 phase				335	ST2255
Boiler feed packages for Boilers up to 75 BHP										
41210GMX-95GG	75	20 psi	Simplex	1/2 hp	1 phase	3450 rpm	15	95	360	ST2320
41210GMX-95GG					3 phase				360	ST2325
41210GDMX-95GG			Duplex		1 phase				420	ST2330
41210GDMX-95GG					3 phase				420	ST2335
Boiler feed packages for Boilers up to 100 BHP										
41215GMX-95GG	100	20 psi	Simplex	1/2 hp	1 phase	3450 rpm	20	95	360	ST2400
41215GMX-95GG					3 phase				360	ST2405
41215GDMX-95GG			Duplex		1 phase				420	ST2410
41215GDMX-95GG					3 phase				420	ST2415
Boiler feed packages for Boilers up to 150 BHP										
41220GMX-120GG	150	20 psi	Simplex	3/4 hp	1 phase	3450 rpm	30	120	415	ST2480
41220GMX-120GG					3 phase				415	ST2485
41220GDMX-120GG			Duplex		1 phase				475	ST2490
41220GDMX-120GG					3 phase				475	ST2495

Boiler Feed Pumps for Steam Heating Systems

High Capacity — Factory Direct, Sterling 4100 "J" series Boiler Feed Pumps with Steel Receiver

These boiler feed pumps generate a more powerful discharge pressure, allowing you to overcome the additional pressure in larger vertical lifts (pumping up) or in extra boiler operating pressure.

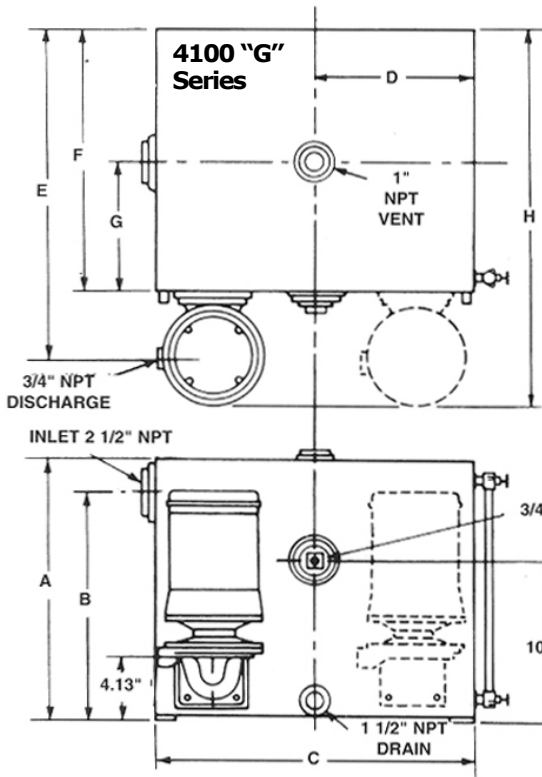
- **30 pound psi pumping pressures.** Call for 40 and 50 psi pumping pressures!
- Select from Simplex (1 pump) or Duplex (2 pump) models.
- 1-phase motors wired 115V, field convertible to 230V; 3-phase motors @ 208-230/460V
- Mechanical water make-up valves and gauge glass standard on all models.
- Select the pump & tank combination that most closely matches your boiler's horsepower.
- The receiver is sized to handle the condensate from the maximum Boiler HP (BHP) shown.



30 psi pumping pressure

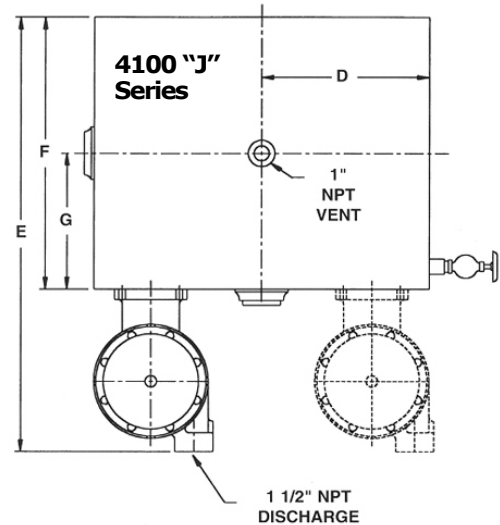
Sterling Model No.	Maximum Boiler HP Rating	Pump Discharge Pressure (psi)	Simplex (1 pump) or Duplex (2 pumps)	Pump HP	Motor Voltage	Motor RPM	Minimum GPM Pumped	Tank Capacity	Wgt. (lbs.)	Order No.
High-Capacity Boiler feed packages for Boilers up to 15 BHP										
4132JMX-30GG	15	30 psi	Simplex	1/2 hp	1 phase	3450 rpm	3	30	200	ST2020
4132JMX-30GG					3 phase				200	ST2025
4132JDMX-30GG			Duplex		1 phase				240	ST2030
4132JDMX-30GG					3 phase				240	ST2035
High-Capacity Boiler feed packages for Boilers up to 30 BHP										
4134JMX-30GG	30	30 psi	Simplex	1/2 hp	1 phase	3450 rpm	6	30	200	ST2100
4134JMX-30GG					3 phase				200	ST2105
4134JDMX-30GG			Duplex		1 phase				240	ST2110
4134JDMX-30GG					3 phase				240	ST2115
High-Capacity Boiler feed packages for Boilers up to 45 BHP										
4136JMX-45GG	45	30 psi	Simplex	1/2 hp	1 phase	3450 rpm	9	45	240	ST2180
4136JMX-45GG					3 phase				240	ST2185
4136JDMX-45GG			Duplex		1 phase				280	ST2190
4136JDMX-45GG					3 phase				280	ST2195
High-Capacity Boiler feed packages for Boilers up to 60 BHP										
4138JMX-60GG	60	30 psi	Simplex	1/2 hp	1 phase	3450 rpm	12	60	275	ST2260
4138JMX-60GG					3 phase				275	ST2265
4138JDMX-60GG			Duplex		1 phase				335	ST2270
4138JDMX-60GG					3 phase				335	ST2275
High-Capacity Boiler feed packages for Boilers up to 75 BHP										
41310JMX-95GG	75	30 psi	Simplex	3/4 hp	1 phase	3450 rpm	15	95	360	ST2340
41310JMX-95GG					3 phase				360	ST2345
41310JDMX-95GG			Duplex		1 phase				420	ST2350
41310JDMX-95GG					3 phase				420	ST2355
High-Capacity Boiler feed packages for Boilers up to 100 BHP										
41315JMX-95GG	100	30 psi	Simplex	1 hp	1 phase	3450 rpm	20	95	360	ST2420
41315JMX-95GG					3 phase				360	ST2425
41315JDMX-95GG			Duplex		1 phase				420	ST2430
41315JDMX-95GG					3 phase				420	ST2435
High-Capacity Boiler feed packages for Boilers up to 150 BHP										
41320JMX-120GG	150	30 psi	Simplex	1 hp	1 phase	3450 rpm	30	120	415	ST2500
41320JMX-120GG					3 phase				415	ST2505
41320JDMX-120GG			Duplex		1 phase				475	ST2510
41320JDMX-120GG					3 phase				475	ST2515

Boiler Feed Pumps for Steam Heating Systems



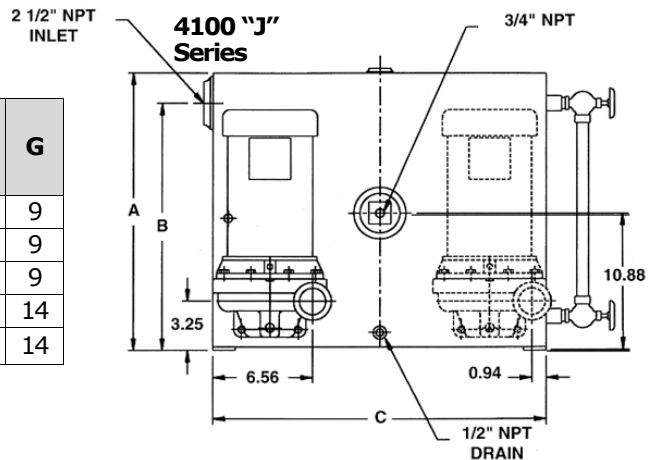
Sterling 4100 "G" Series Boiler Feed Dimension Guide

Tank Size (gals.)	A	B	C	D	E	F	G	H
30	18.4	16.1	22	11	23.5	18	9	28
45	26.4	24.1	22	11	23.5	18	9	28
60	26.4	26.1	28	14	23.5	18	9	28
95	28.4	26.1	28	14	33.5	28	14	38
120	36.4	33.8	28	14	33.5	28	14	38

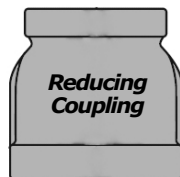


Sterling 4100 "J" Series Boiler Feed Dimension Guide

Tank Size (gals.)	A	B	C	D	E	F	G
30	18.4	16.1	22	11	29.3	18	9
45	26.4	24.1	22	11	23.5	18	9
60	26.4	26.1	28	14	23.5	18	9
95	28.4	26.1	28	14	33.5	28	14
120	36.4	33.8	28	14	33.5	28	14



Order both the Basic Valve and the corresponding Black Malleable Iron Reducing Coupling.



Stainless Steel, Spring-Loaded Check Valves for Boiler Feeds

Screw the basic valve (above, made of solid 316SS stainless steel) into the appropriate sized reducing coupling to make a "complete" valve. Rated to 150 psi steam, 300 psi water.

Basic Valve			Reducing Coupling	
Model No.	Pipe Size	Order No.	Pipe Size	Order No.
BSS	3/4"	DP1020	3/4" x 1 1/2"	PM1325
	1"	DP1025	1" x 2"	PM1350
	1 1/4"	DP1030	1 1/4" x 2 1/2"	PM1364
	1 1/2"	DP1035	1 1/2" x 3"	PM1370
	2"	DP1040	2" x 4"	PM1385