

Condensate Pumps for Steam Heating Systems

Sterling 4100 "G" Series Condensate Pumps with Steel Receivers – The Workhorse!

Order Steel Receiver models when you *do not* have problems with harsh water conditions. These are less expensive than cast iron models.

Great Pricing on these popular Sterling condensate pumps! Found in steam heating boiler rooms throughout North America. 20 psi pressure can pump water "up" 46 feet!

- All 1-phase pump motors are 115/230 volts (wired 115V, field convertible to 230V)
- All 3-phase pump motors are 208-230/460 volts
- 8,000 EDR units handle condensate from steam boilers up to 55 boiler horsepower;
- 15,000 EDR units handle condensate from steam boilers up to 100 boiler horsepower;
- 20,000 EDR units handle condensate from steam boilers up to 140 boiler horsepower.



Simplex Model Shown
Great Pricing!

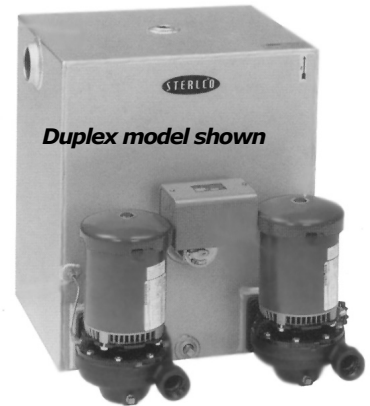
Sterling Model No.	EDR Rating	Pump Discharge Pressure (psi)	Simplex (1 pump) or Duplex (2 pumps)	Pump Activation Mechanism	Motor RPM	Pump Motor Voltage	Pump Motor HP	Steel Tank (gals.)	GPM Pump Cap.	Wgt. (lbs.)	Order No.			
4028G	8,000	20	Simplex	Float Switch	3450	1 phase	1/3	8 gals.	12 gpm	90	ST1005			
4028G	8,000					3 phase					ST1010			
4128GD-MA	8,000		Duplex	Mechanical Alternator		1 phase		15 gals.			185	ST1015		
4128GD-MA	8,000					3 phase						ST1020		
41215G	15,000		Simplex	Float Switch		1 phase	1/2	15 gals.	22.5 gpm	190	ST1025			
41215G	15,000					3 phase					ST1030			
41215GD-MA	15,000		Duplex	Mechanical Alternator		1 phase					240	ST1035		
41215GD-MA	15,000					3 phase						ST1040		
41220G	20,000		Simplex	Float Switch		1 phase	3/4	30 gals.	30 gpm	200	ST1045			
41220G	20,000					3 phase					ST1050			
41220GD-MA	20,000					Duplex					Mechanical Alternator	1 phase	250	ST1055
41220GD-MA	20,000											3 phase		ST1060

Sterling 4200 "G" Series Condensate Pumps with Cast Iron Receivers for Harsh Water

Order Cast Iron Receiver models when you *do* have problems with harsh water conditions. More expensive than steel models.

Popular cast iron models used in geographic areas of the country where water conditions are notoriously harsh! Cast iron may last longer than steel in these harsh water conditions. Keep in mind these models weigh almost twice as much as the steel models. Pump up to 30 gallons per minute at a discharge pressure of 20 psi.

- All 1-phase pump motors are 115/230 volts (wired 115V, field convertible to 230V)
- All 3-phase pump motors are 208-230/460 volts
- 10,000 EDR units handle condensate from steam boilers up to 70 boiler horsepower;
- 20,000 EDR units handle condensate from steam boilers up to 140 boiler horsepower.

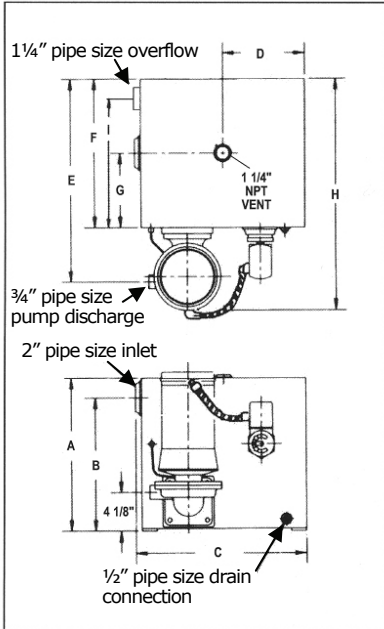


Pump dimensions on following pages

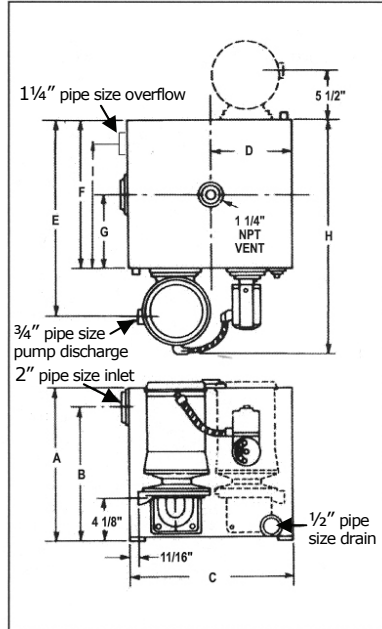
Sterling Model No.	EDR Rating	Pump Discharge Pressure (psi)	Simplex (1 pump) or Duplex (2 pumps)	Pump Activation Mechanism	Motor RPM	Pump Motor Voltage	Pump Motor HP	Cast Iron Tank (gals.)	GPM Pump Cap.	Wgt. (lbs.)	Order No.			
42210G	10,000	20	Simplex	Float Switch	3450	1 phase	1/2	13.5 gals.	15 gpm	260	ST1500			
42210G	10,000					3 phase					ST1505			
42210GD-MA	10,000					Duplex					Mechanical Alternator	1 phase	295	ST1510
42210GD-MA	10,000											3 phase		ST1515
42220G	20,000		Simplex	Float Switch		1 phase	3/4	36 gals.	30 gpm	410	ST1520			
42220G	20,000					3 phase					ST1525			
42220GD-MA	20,000					Duplex					Mechanical Alternator	1 phase	445	ST1530
42220GD-MA	20,000											3 phase		ST1535

Condensate Pumps for Steam Heating Systems

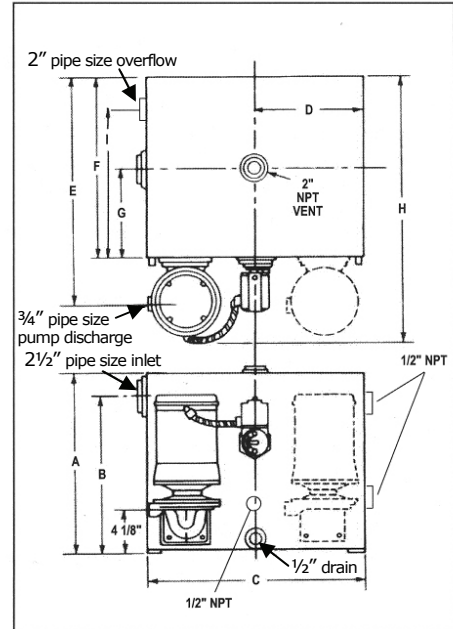
Sterling 4100 "G" Series Dimension Guide for Steel Tank



G series, 8 Gallon Tank

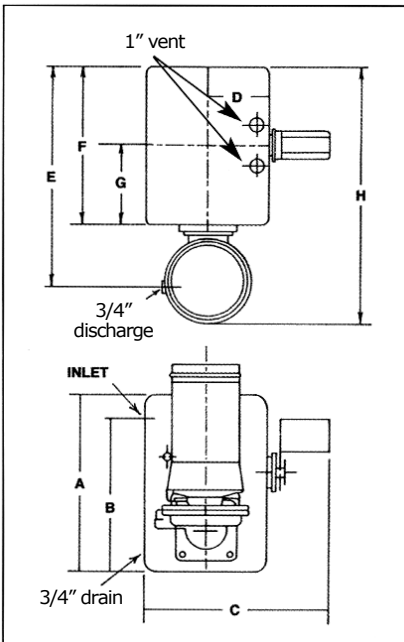


G series, 15 Gallon Tank

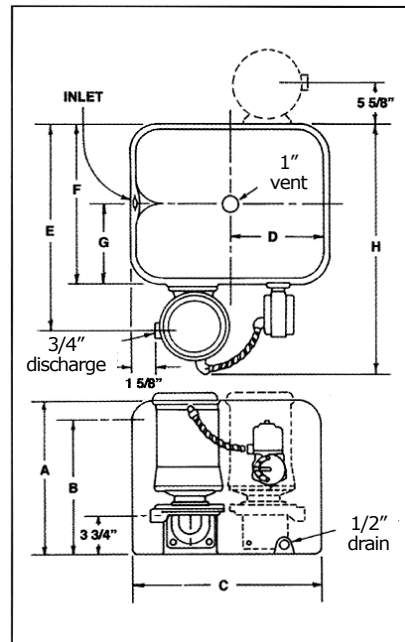


G series, 30 to 120 Gallon Tanks

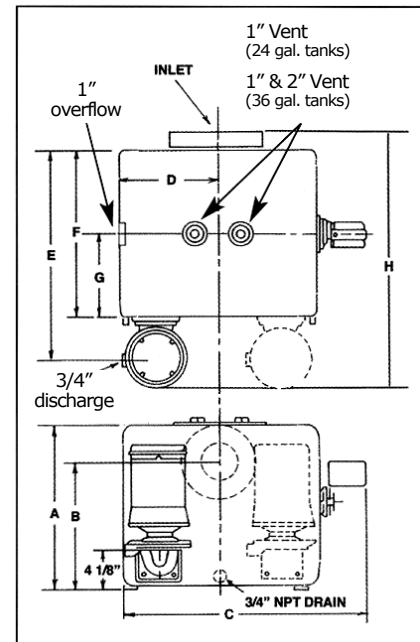
Sterling 4200 "G" Series Dimension Guide for Cast Iron Tank



G series, 6 Gallon Tank



G series, 13.5 Gallon Tank



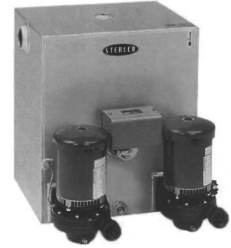
G series, 24 to 36 Gallon Tanks

Condensate Pumps for Steam Heating Systems

High Capacity — Factory Direct, Series 4100 "J"

Condensate Pumps with *Steel* Receiver Tanks

These pumps either have larger Steel receiver tanks and/or have a stronger pumping discharge pressure than the "G" series condensate pumps. Generally used in larger steam heating systems and/or when the condensate needs to be pumped against higher head pressures. Please allow 2 weeks for continental U.S. delivery, direct from the Sterling Pump factory. **Dimensions on preceding pages.**



■ 1-phase motors wired 115V, field convertible to 230V ■ 3-phase motors @ 208-230/460 volts

Sterling Model No.	EDR Rating	Pump Discharge Pressure (psi)	Simplex (1 pump) or Duplex (2 pumps)	Pump Activation Mechanism	Motor RPM	Pump Motor Voltage	Pump HP	Steel Tank Size (gals.)	GPM Pump Cap.	Wgt. (lbs.)	Order No.					
10,000 EDR units — Handles condensate generated from boilers rated up to 70 boiler horsepower																
41310J	10,000	30 psi	Simplex	Float Switch	3450	1 phase	3/4	15 gals.	15 gpm	185	ST1125					
41310J						3 phase					ST1130					
41310JD-MA			Duplex	Mechanical Alternator		1 phase					ST1135					
41310JD-MA						3 phase					ST1140					
41410J		40 psi	Simplex	Float Switch		1 phase	1				ST1225					
41410J						3 phase					ST1230					
41410JD-MA			Duplex	Mechanical Alternator		1 phase					ST1235					
41410JD-MA						3 phase					ST1240					
20,000 EDR units — Handles condensate generated from boilers rated up to 140 boiler horsepower																
41320J	20,000	30 psi	Simplex	Float Switch	3450	1 phase	1	30 gals.	30 gpm	230	ST1145					
41320J						3 phase					ST1150					
41320JD-MA			Duplex	Mechanical Alternator		1 phase					ST1155					
41320JD-MA						3 phase					ST1160					
41420J		40 psi	Simplex	Float Switch		3 phase	1½				ST1250					
41420JD-MA						Duplex					Mech. Alt.	3 phase	ST1260			
41520J			50 psi	Simplex								Float Switch	3 phase	3	ST1350	
41520JD-MA						Duplex					Mech. Alt.		3 phase		ST1360	
30,000 EDR units — Handles condensate generated from boilers rated up to 210 boiler horsepower																
41230J		30,000	20 psi	Simplex		Float Switch	3450				1 phase	1	45 gals.	45 gpm	285	ST1065
41230J	3 phase				ST1070											
41230JD-MA	Duplex			Mechanical Alternator	1 phase	ST1075										
41230JD-MA					3 phase	ST1080										
41330J	30 psi		Simplex	Float Switch	3 phase	1½		ST1170								
41330JD-MA					Duplex			Mech. Alt.	3 phase	ST1180						
41430J	40 psi		Simplex	Float Switch		3 phase			2	ST1270						
41430JD-MA					Duplex	Mech. Alt.		3 phase		ST1280						
41530J	50 psi		Simplex	Float Switch				3 phase	3	ST1370						
41530JD-MA					Duplex	Mech. Alt.		3 phase		ST1380						
40,000 EDR units — Handles condensate generated from boilers rated up to 280 boiler horsepower																
41240J			20 psi	Simplex	Float Switch			3 phase	1½	60 gals.	60 gpm	335				ST1090
41240JD-MA				Duplex	Mech. Alt.			3 phase								ST1100
41340J			30 psi	Simplex	Float Switch			3 phase	2							ST1190
41340JD-MA		Duplex		Mech. Alt.	3 phase		ST1200									
41440J		40 psi	Simplex	Float Switch	3 phase		2	ST1290								
41440JD-MA			Duplex	Mech. Alt.	3 phase			ST1300								
41540J		50 psi	Simplex	Float Switch	3 phase		5	ST1390								
41540JD-MA			Duplex	Mech. Alt.	3 phase			ST1400								

50,000 EDR condensate pumps available — Call for sizing help, price and availability!

Condensate Pumps for Steam Heating Systems

High Capacity — Factory Direct, Series 4200 "J" Condensate Pumps with *Cast Iron* Receiver Tanks

These pumps either have larger Cast Iron receiver tanks and/or have a stronger pumping discharge pressure than the "G" series condensate pumps. Generally used in larger steam heating systems and/or when the condensate needs to be pumped against higher head pressures. Please allow 2 weeks for continental U.S. delivery, direct from the Sterling Pump factory. **Dimensions on preceding pages.**

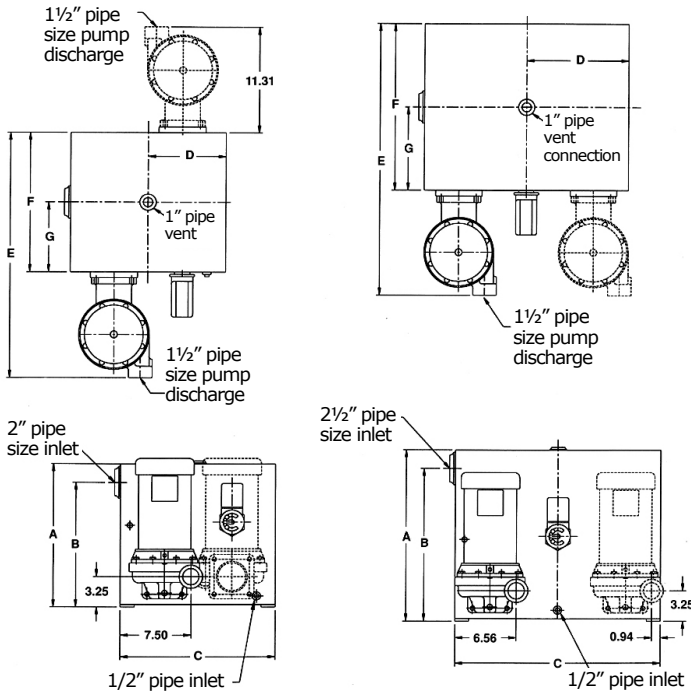


■ 1-phase motors wired 115V, field convertible to 230V ■ 3-phase motors @ 208-230/460 volts

Sterling Model No.	EDR Rating	Pump Discharge Pressure (psi)	Simplex (1 pump) or Duplex (2 pumps)	Pump Activation Mechanism	Motor RPM	Pump Motor Voltage	Pump HP	Tank Size (gals.)	GPM Pump Cap.	Wgt. (lbs.)	Order No.					
10,000 EDR units — Handles condensate generated from boilers rated up to 70 boiler horsepower																
42310J	10,000	30 psi	Simplex	Float Switch	3450	1 phase	3/4	13.5 gals.	15 gpm	300	ST1600					
42310J						3 phase					ST1605					
42310JD-MA			Duplex	Mechanical Alternator		1 phase					ST1610					
42310JD-MA						3 phase					ST1615					
42410J		40 psi	Simplex	Float Switch		1 phase	1				295	ST1700				
42410J						3 phase						ST1705				
42410JD-MA			Duplex	Mechanical Alternator		1 phase						ST1710				
42410JD-MA						3 phase						ST1715				
25,000 EDR units — Handles condensate generated from boilers rated up to 175 boiler horsepower																
4235J	25,000	30 psi	Simplex	Float Switch	3450	1 phase	1	36 gals.	37.5 gpm	355	ST1620					
4235J						3 phase					ST1625					
4235JD-MA			Duplex	Mechanical Alternator		1 phase					ST1630					
4235JD-MA						3 phase					ST1635					
42425J		40 psi	Simplex	Float Switch		3 phase	1½				360	ST1725				
42425JD-MA						Duplex						Mech. Alt.	3 phase	ST1735		
30,000 EDR units — Handles condensate generated from boilers rated up to 210 boiler horsepower																
42230J	30,000	20 psi	Simplex	Float Switch	3450	1 phase	1	36 gals.	45 gpm	355	ST1540					
42230J						3 phase					ST1545					
42230JD-MA			Duplex	Mechanical Alternator		1 phase					ST1550					
42230JD-MA						3 phase					ST1555					
42330J		30 psi	Simplex	Float Switch		3 phase	1½				360	ST1645				
42330JD-MA						Duplex						Mech. Alt.	3 phase	ST1655		
42430J		40 psi	Simplex	Float Switch		3 phase	2				365	ST1745				
42430JD-MA						Duplex						Mech. Alt.	3 phase	ST1755		
42530J		50 psi	Simplex	Float Switch		3 phase	3				370	ST1845				
42530JD-MA						Duplex						Mech. Alt.	3 phase	ST1855		
40,000 EDR units — Handles condensate generated from boilers rated up to 280 boiler horsepower																
42240J		40,000	20 psi	Simplex		Float Switch	3450				3 phase	1½	50 gals.	60 gpm	420	ST1565
42240JD-MA	Duplex			Mech. Alt.	3 phase	ST1575										
42340J	30 psi		Simplex	Float Switch	3 phase	2		425	ST1665							
42340JD-MA			Duplex	Mech. Alt.	3 phase				ST1675							
42440J	40 psi		Simplex	Float Switch	3 phase	2		425	ST1765							
42440JD-MA			Duplex	Mech. Alt.	3 phase				ST1775							
42540J	50 psi		Simplex	Float Switch	3 phase	5		445	ST1865							
42540JD-MA			Duplex	Mech. Alt.	3 phase				ST1875							

Condensate Pumps for Steam Heating Systems

Sterling 4100 "J" Series Dimension Guide for Steel Tank



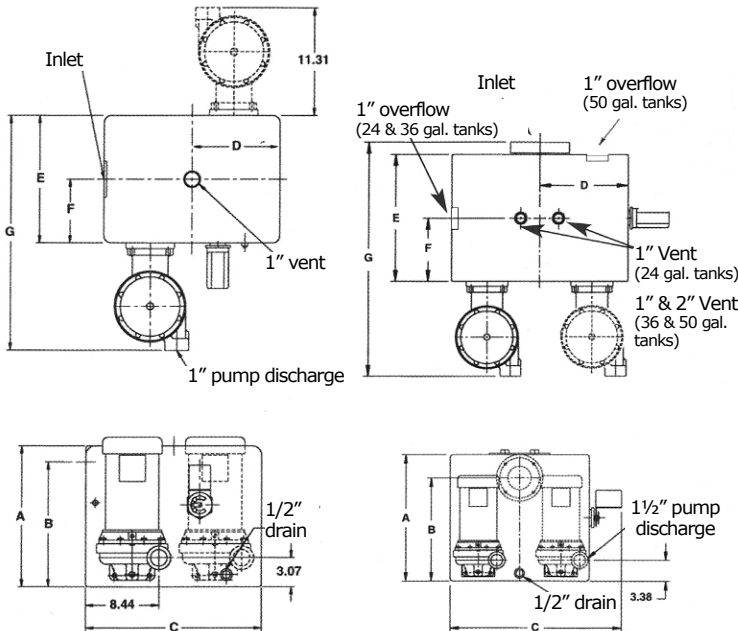
J series, 15 Gallon Tank **J series, 30 to 120 Gallon Tanks**

4100 "J" Dimension Table

The dimension table below shows measurements in inches. The "Receiver Size & Style" column shows first the gallon size of the tank (8G is an 8-gallon tank) and second the style of tank: The "G" series are standard; the "J" series are used for high capacity pumping.

Receiver Size & Style	A	B	C	D	E	F	G	H
8 G	12.50	10.50	12.50	6.25	18.00	12.50	6.25	21.50
15 G	15.38	13.38	16.50	8.25	20.50	15.00	7.50	25.00
15 J	15.38	13.38	16.50	8.25	26.31	15.00	7.50	—
30 G	18.38	16.12	22.00	11.00	23.50	18.00	9.00	28.00
30 J	18.38	16.12	22.00	11.00	29.31	18.00	9.00	—
45 G	26.38	24.12	22.00	11.00	23.50	18.00	9.00	28.00
45 J	26.38	24.12	22.00	11.00	29.31	18.00	9.00	—
60 G	28.38	26.12	28.00	14.00	23.50	18.00	9.00	28.00
60 J	28.38	26.12	28.00	14.00	29.31	18.00	9.00	—
95 G	28.38	26.12	28.00	14.00	33.50	28.00	14.00	38.00
95 J	28.38	26.12	28.00	14.00	39.31	28.00	14.00	—
120 G	36.38	33.75	28.00	14.00	33.50	28.00	14.00	38.00
120 J	36.38	33.75	28.00	14.00	39.31	28.00	14.00	—

Sterling 4200 "J" Series Dimension Guide for Cast Iron Tank



J series, 13.5 Gallon Tank **J series, 24 to 50 Gallon Tanks**

4200 "J" Dimension Table

The dimension table below shows measurements in inches. The "Receiver Size & Style" column shows first the gallon size of the tank (6G is a 6-gallon tank) and second, the style of tank: The "G" series are standard; the "J" series are used for high capacity pumping.

Receiver Size & Style	A	B	C	D	E	F	G	H	Inlet Pipe Size
6G	14.5	12.5	14.5	4.8	18.3	12.6	6.3	20.4	2
13.5 G	14.9	13.2	18.5	9.3	19.1	13.5	6.8	24.0	2
24 G	19.1	15.6	25.8	10.5	20.0	15.0	7.5	22.8	2
36 G	18.6	15.1	27.3	11.3	27.5	22.5	11.3	31.8	3
13.5 J	14.9	13.2	18.5	9.3	13.5	6.8	24.9	—	2
24 J	19.1	15.6	25.8	10.5	15.0	7.5	26.4	—	2
36 J	18.6	15.1	27.3	11.3	22.5	11.3	35.4	—	3
50 J	18.6	15.1	27.3	11.3	31.0	15.5	43.9	—	3

Sterling Condensate Pump Accessories & More!

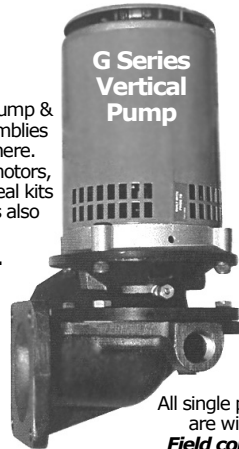
Sterling Individual Pumps, Isolation Valves & Control Panels

Order replacement pump and motor assemblies and repair parts for your condensate pumps, along with isolation valves (to make pump replacement easy), control panels, replacement pump motors, float switches, mechanical alternators and more!



J Series Vertical Pump

Complete pump & motor assemblies are shown here. Individual motors, impellers, seal kits and gaskets also available. See below.



G Series Vertical Pump



G Series End Suction Pump

All single phase pumps motors are wired for 115 volts. **Field convertible to 230V.**

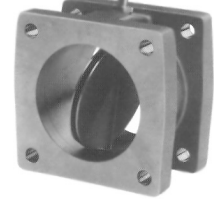


Optional Control Panel

Control Panels

NEMA 12 rated. Includes circuit breaker or fused disconnect switch, magnetic motor starter, control transformer, pilot light and H-O-A switch. Optional.

Optional Isolation Valve



Isolation Valves for Vertical Pumps

Pump repair is easier when you can isolate the pump from the condensate receiver tank: Close the valve and remove the pump for repair!

"G" Vertical pump & motor assembly for 4100 and 4200

Pump HP	Pump No.	Voltage	Discharge Pipe Size	Pump & Motor Assy.
1/3	605-00003-01	115/230	3/4"	ST8000
1/2	605-00003-03	115/230	3/4"	ST8005
1/3	605-00005-01	208-230/460	3/4"	ST8010
1/2	605-00003-10	208-230/460	3/4"	ST8015

"J" series vertical pumps — Call for more information

"G" series end suction pumps — Call for more information

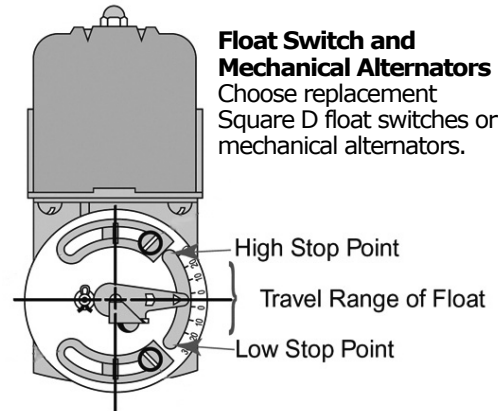
Isolation valves — Call for more information

Pump Repair Parts

Description	Order No.
Water Seal: Repairs leaking 4100 & 4200, G series	ST8050
Tank-to-pump gasket: for above G series pumps	ST8070

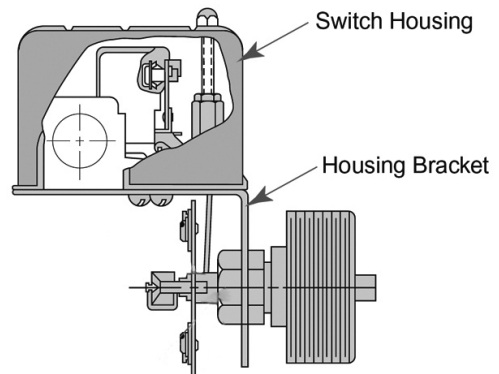
Float Switch and Mechanical Alternator Assemblies

Description	Order No.
Float Switch Assembly	
Square D, Model 9037 HG30, 2-1/2" pipe connection	SF5005
Mechanical Alternator Assembly	
Square D, Model 9038 CG33, 2-1/2" pipe connection	DL1366



Float Switch and Mechanical Alternators

Choose replacement Square D float switches or mechanical alternators.



Float switch assemblies control 1 or 2 pumps. If tank water level rises to a set level the pump is turned on; if tank water level rises to a "higher" pre-set level the second pumps kicks-on. **Mechanical alternators** are used with 2 pumps: they "alternate" the use of each pump.