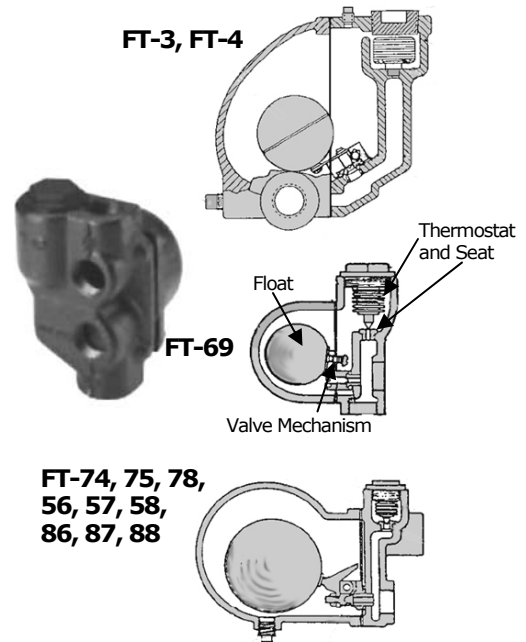


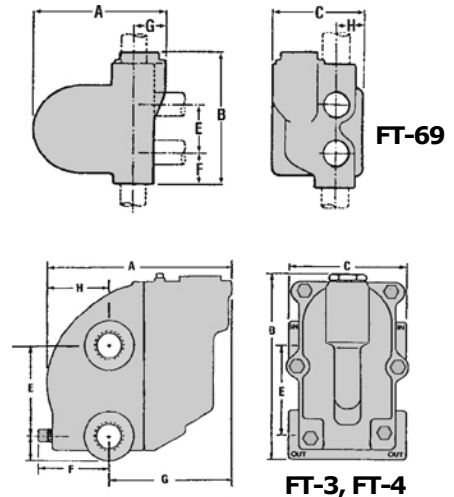
# Sterling Float & Thermostatic Traps and Parts

Complete F&T Traps				Related Repair Parts	
Model No.	Pipe Size	Max. Press.	ORDER NO.	Float Only	Repair Kit <u>Less</u> Float Thermostat, Seat, Valve Mech. & Gasket
FT69-15	3/4"	15	<b>SW1005</b>	<b>SV1010</b>	<b>SV1030</b>
FT74-15	1	15	<b>SW1010</b>	<b>SV1015</b>	<b>SV1035</b>
FT75-15	1 1/4	15	<b>SW1015</b>	<b>SV1020</b>	<b>SV1040</b>
FT78-15	1 1/2	15	<b>SW1020</b>	<b>SV1020</b>	<b>SV1045</b>
FT80-15	2	15	<b>SW1021</b>	<b>SV1021</b>	<b>SV1046</b>
FT-3-30	3/4	30	<i>Factory Order</i>	<i>Factory Order</i>	<i>Factory Order</i>
FT-4-30	1	30	<i>Factory Order</i>	<i>Factory Order</i>	<i>Factory Order</i>
FT56-75	3/4	75	<b>SW1022</b>	<b>SV1022</b>	<b>SV1047</b>
FT57-75	1	75	<b>SW1023</b>	<b>SV1023</b>	<b>SV1048</b>
FT58-75	1 1/4	75	<b>SW1024</b>	<b>SV1024</b>	<b>SV1049</b>
FT86-125	3/4	125	<b>SW1025</b>	<b>SV1025</b>	<b>SV1050</b>
FT87-125	1	125	<b>SW1026</b>	<b>SV1026</b>	<b>SV1051</b>
FT88-125	1 1/4	125	<b>SW1027</b>	<b>SV1027</b>	<b>SV1052</b>



Trap Dimensions										
Model No.	Pipe Size	A	B	C	D	E	F	G	H	J
FT69-15	3/4	4-3/4	5-3/8	3-3/8	—	1-3/4	1-5/8	1-1/8	1-1/8	—
FT74-15	1	8-1/4	6-3/4	5	5	3-3/8	1-1/4	1-1/4	2-1/4	3/8
FT75-15	1 1/4	9-5/8	6-3/4	6	5	3-3/8	1-1/4	1-1/4	2 -3/4	3/8
FT78-15	1 1/2	11 1/2	6-3/4	6-1/2	5	3-3/8	1-1/4	1-1/4	2-1/4	3/8
FT80-15	2	15 1/2	9-3/4	8-1/2	7-1/4	4-1/8	1-5/8	3-1/4	3-5/8	—
FT-3-30	3/4	6	6-5/8	4-1/8	—	3-1/8	2-5/8	3-7/8	2-1/4	—
FT-4-30	1	6	6-5/8	4-1/8	—	3-1/8	2-5/8	3-7/8	2-1/4	—
FT56-75	3/4	8-1/4	6-3/4	5	5	3-3/8	1-1/4	1-1/4	2-1/4	3/8
FT57-75	1	8-1/4	6-3/4	5	5	3-3/8	1-1/4	1-1/4	2-1/4	3/8
FT58-75	1 1/4	8-1/4	6-3/4	5	5	3-3/8	1-1/4	1-1/4	2-1/4	3/8
FT86-125	3/4	8-1/4	6-3/4	5	5	3-3/8	1-1/4	1-1/4	2-1/4	3/8
FT87-125	1	8-1/4	6-3/4	5	5	3-3/8	1-1/4	1-1/4	2-1/4	3/8
FT88-125	1 1/4	8-1/4	6-3/4	5	5	3-3/8	1-1/4	1-1/4	2-1/4	3/8

## Trap Dimensions



## Trap Capacities at pressure differentials shown below

Model No.	1/2	1	2	5	10	15	30	60	75	100
FT69-15	400	560	800	840	880	920	—	—	—	—
FT74-15	750	1050	1500	1575	1650	1725	—	—	—	—
FT75-15	1800	2550	3600	3780	3960	4140	—	—	—	—
FT78-15	3600	5100	7200	7560	7920	8280	—	—	—	—
FT80-15	7500	9180	15000	15750	16500	17250	—	—	—	—
FT-3-30	300	410	580	1050	1410	1620	2130	—	—	—
FT-4-30	300	410	580	1050	1410	1620	2130	—	—	—
FT56-75	175	240	340	440	770	825	1290	2235	2350	—
FT57-75	175	240	340	440	770	825	1290	2235	2350	—
FT58-75	185	255	375	730	880	1280	1880	2700	2980	—
FT86-125	110	150	200	255	375	450	565	760	1265	1445
FT87-125	110	150	200	255	375	450	565	760	1265	1445

