

# Trane Radiator Traps and Repair Parts

## Trane Repair Parts for \*Integral Seat Traps

"Old" Model No.	Pipe Size	Maximum Pressure	Body Pattern	Original Cover & Bellows Assembly	Alternative Thermostatic Cage Unit	New Trap Cover
B1	1/2	25	Angle, Straight and Offset	<b>TP1030</b>	<b>BD1895</b>	<b>BD1900</b>
B2	1/2			<b>TP1040</b>	<b>BD1905</b>	<b>BD1910</b>
B3	3/4			<b>TP1050</b>	<b>BD1915</b>	<b>BD1920</b>
B4	1			<b>TP1070</b>	<b>BD1925</b>	<b>BD1930</b>
B5	1 1/4			<b>TP1075</b>	<b>BD1585</b>	Re-Use old Trane cover
B1	1/2		Vertical	<b>TP1015</b>	<b>BD1825</b>	

**Alternative Cage Units** fit either Trane integral seat or removable seat traps — Order the new trap cover for proper fit. \*Radiator traps with integral seats have "seats" pressed-into the bottom of the traps: These seats cannot be removed.

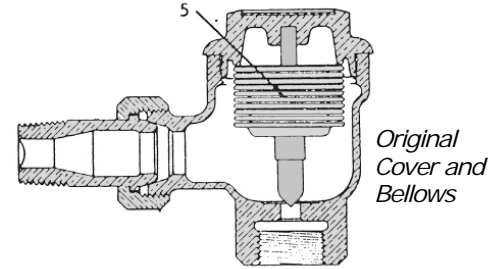
## Trane Repair Parts for \*Removable Seat Traps

Model No.	Pipe Size	Max. Pressure lbs/psi	Body Pattern	Original Cover & Bellows Assembly	Alternative Thermostatic Cage Unit	New Trap Cover
B1	1/2,3/4	25	Angle, straight & offset	<b>TP1005</b>	<b>BD1895</b>	<b>BD1900</b>
B2	1/2			<b>TP1035</b>	<b>BD1905</b>	<b>BD1910</b>
B3	3/4			<b>TP1045</b>	<b>BD1915</b>	<b>BD1920</b>
B4	1			<b>TP1060</b>	<b>BD1925</b>	<b>BD1930</b>
B1-V	1/2		Vertical	<b>TP1020</b>	<b>BD1850</b>	Re-Use cover

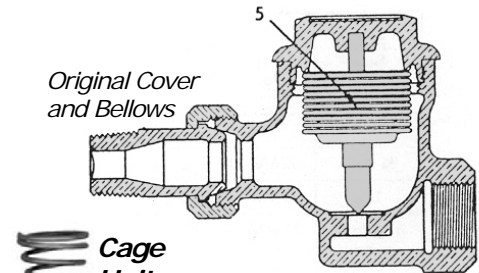
**Alternative Cage Units** fit either Trane integral seat or removable seat traps — Order the new trap cover for proper fit. \*Radiator traps with removable seats have "seats" screwed-into the bottom of the traps: These seats can be removed.

Complete Trane steam traps are no longer made. Repair parts available.

Angle Pattern with non-removable seat



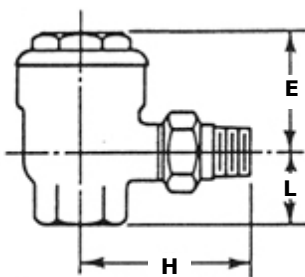
Straight Pattern with non-removable seat



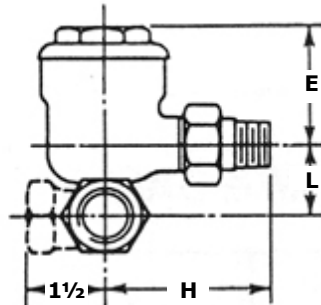
■ Most building maintenance professionals order the alternative Cage Units and new trap Covers, to repair Trane radiator traps — **The same cage units repair both integral seat and non-removable seat traps of the same pipe size.**

## Trap Dimensions

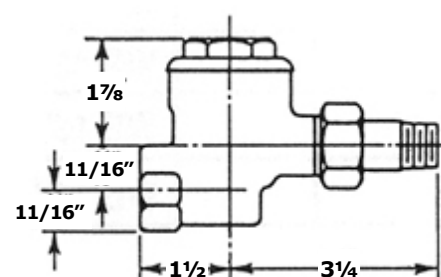
Angle Pattern Discontinued



Offset Pattern Discontinued



Straight Pattern Discontinued



## Radiator Trap Dimensions

Model No.	Body Pattern	Pipe Size	L	H	E
B1	Angle & Straight	1/2, 3/4	1-7/16	3-1/4	1-7/8
B3		3/4	1-7/16	3-1/4	2-1/2
B4		1	1-3/4	3-3/8	2-1/2
B5		1-1/4	2	4-1/2	2-1/8
B1	Offset	1/2	1-7/16	3-1/4	1-7/8
B2		1/2	1-7/16	3-1/4	2-1/2
B3		3/4	1-7/16	3-1/4	2-1/2

## Trap Capacities @ lbs/psi

	1/2	1	2	5	10	15
120	120	165	235	370	530	640
230	230	330	465	730	1050	1300
410	410	580	810	1280	1840	2300
500	500	720	1020	1520	2190	2720
120	120	165	235	370	530	640
120	120	165	235	370	530	640
230	230	330	465	730	1050	1300