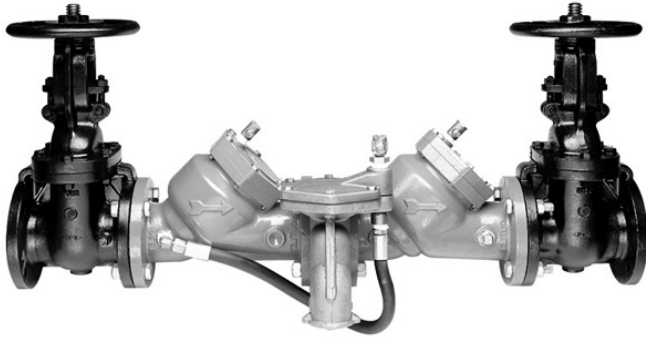


Watts 909 Reduced Pressure Zone Backflow Preventers



Model 909, Sizes 2½" to 10"

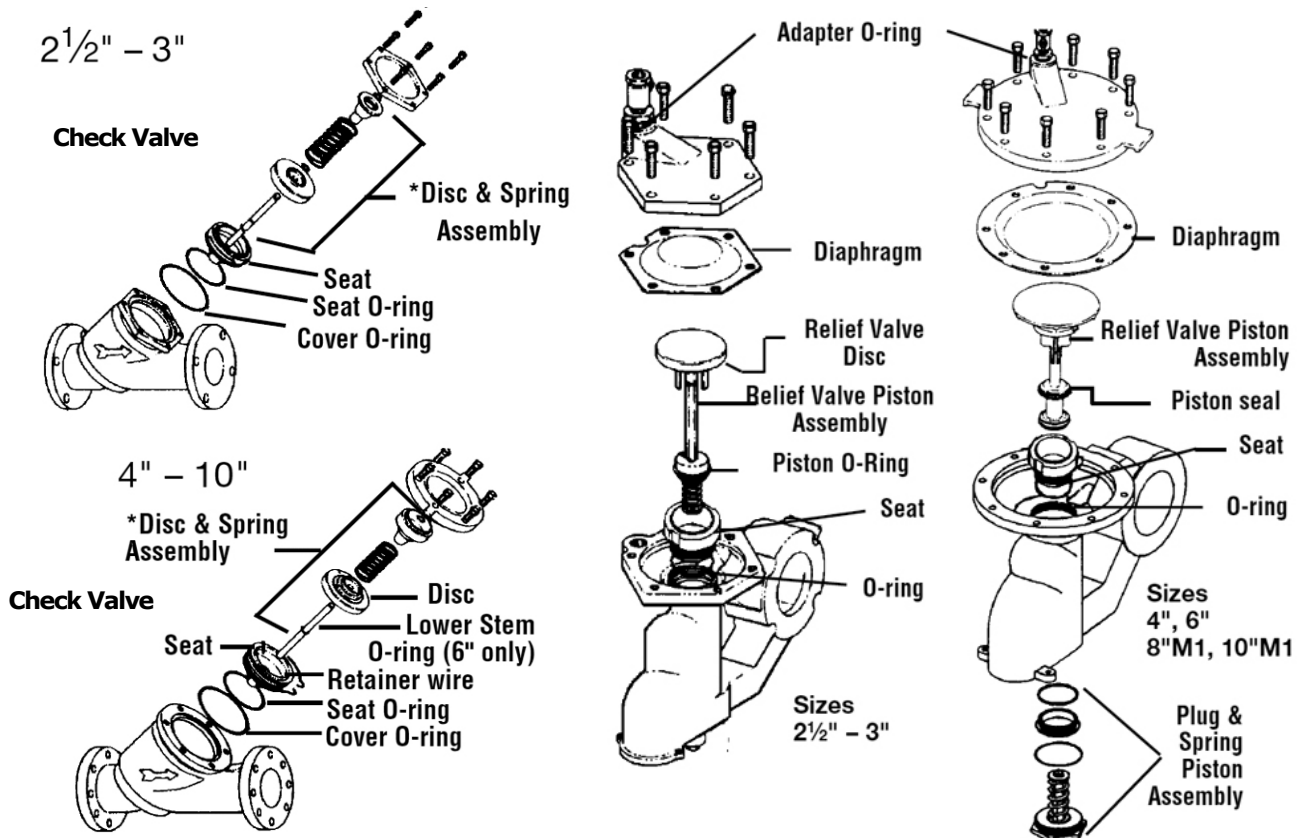
Watts 909 Reduced Pressure Backflow Preventers use non-rising gate valves on sizes 2½" to 10".

- For Health Hazard cross connection. Provides protection in cross connection control and containment for cold and hot water installations in both intermittent and continuous pressure applications.

- Sizes 2-1/2" to 10" are rated to 175 psig pressure and 110° F continuous use and 140° F intermittent use.

- Non-rising stem Gate Valves on sizes 2-1/2" to 10".

Model No.	End-to-End Dimension	Pipe Size	Complete Valve Order No.	TOTAL Rubber Parts Kit	Relief Valve Kit	1st Check Valve Repair Kit	2nd Check Valve Repair Kit
909NRS	41-1/4"	2-1/2	WC1530	WD1120	WD1410	WD1520	WD1570
909NRS	42-1/4"	3	WC1535	WD1120	WD1410	WD1520	WD1570
909NRS	55-1/8"	4	WC1540	WD1125	WD1415	WD1525	WD1575
909NRS	65-1/2"	6	WC1545	WD1130	WD1415	WD1530	WD1580
909NRS	78-3/4"	8	WC1550	WD1135	WD1420	WD1535	WD1585
909NRS	93-5/8"	10	WC1555	WD1140	WD1420	WD1540	WD1590



- **TOTAL Rubber Parts Kit:** Sleeve O-ring, Seat O-ring, Piston O-ring, Stem O-ring, RV disc assembly, Diaphragm, Piston seal, Bottom plug O-ring and lubricant for Relief Valve and both Check Valves.

- **Both First and Second Check Kits include:** Disc & Spring assembly, Cover O-ring and lubricant.

- **Relief Valve Rubber Parts Kits include:** Sleeve O-ring, Seat O-ring, Piston O-ring, Stem O-ring, RV disc assembly, Diaphragm, Piston seal, Bottom plug O-ring and lubricant. Adapter O-ring, Diaphragm, Disc & piston assembly, Seat, Seat O-ring. (4" - 10" M1 includes bottom plug & spring assembly).