



SHIPPENSBURG PUMP CO. INC.

P.O. BOX 279, SHIPPENSBURG, PA 17257

PH 717-532-7321 • FAX 717-532-7704

WWW.SHIPCOPUMPS.COM

Pride

Quality

Craftsmanship

BULLETIN 106

Revised 1/14



TYPE EMV

**ECONOMICAL MAKE-UP VERTICAL
BOILER FEED UNITS**

*NOTE: If unit is used as a surge tank,
pumps should run continuously*

EMV-P Units handle condensate up to 210°F with low NPSH requirements.

Centrifugal Pumps designed for many years of dependable service with low maintenance.

3500 RPM provides low inertia for intermittent operation.

Heavy Wall Steel Receiver.

Mechanical make-up valve with float and rubber fitted sealing face.

Pump has no internal bearings. (Motor bearings refer to motor manufacturer's instructions.)

Gauge Glass Assembly for viewing water level.

Two Pump openings on all units.

ODP Motors Only



Standard Equipment:
Mechanical Make-up Valve
(for supply pressure
up to 50 PSIG)

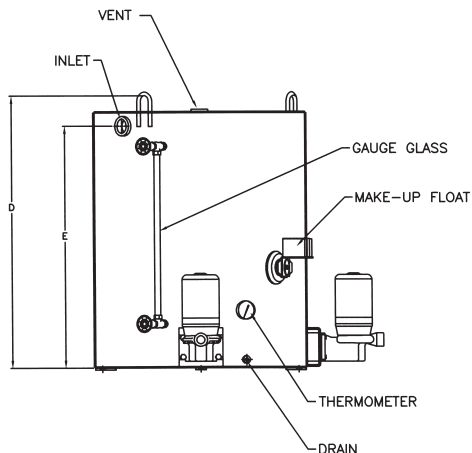
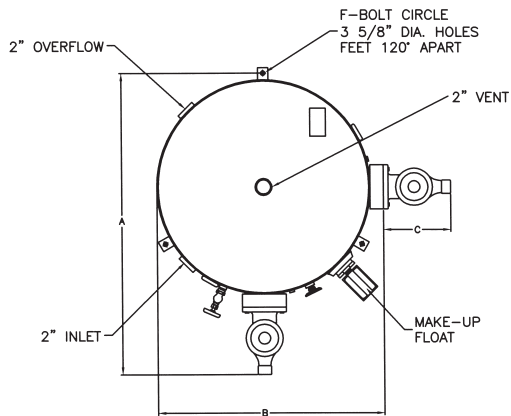
SHIPCO[®]
PUMPS are equipped with Mechanical Seals rated up to a standard 250°F.
Higher temperature seals and special faces available upon request.

CATALOG SELECTIONS FOR EMV MODEL D PUMPS

HP	GPM	PSIG	DISCH. SIZE	PUMP TYPE	RECEIVER NUMBER 30	RECEIVER NUMBER 50	RECEIVER NUMBER 100	RECEIVER NUMBER 200
1/3	18	20	3/4	110	30EMV18-20	50EMV18-20	100EMV18-20	200EMV18-20
1/2	15	25	3/4	110	30EMV15-25	50EMV15-25	100EMV15-25	200EMV15-25
1/2	18	30	3/4	106	30EMV18-30	50EMV18-30	100EMV18-30	200EMV18-30
3/4	18	40	3/4	106	30EMV18-40	50EMV18-40	100EMV18-40	200EMV18-40
1/2	22-1/2	20	1	110	30EMV22-20	50EMV22-20	100EMV22-20	200EMV22-20
3/4	22-1/2	25	1	106	30EMV22-25	50EMV22-25	100EMV22-25	200EMV22-25
3/4	22-1/2	30	1	106	30EMV22-30	50EMV22-30	100EMV22-30	200EMV22-30
1	22-1/2	40	1	106	30EMV22-40	50EMV22-40	100EMV22-40	200EMV22-40
3/4	30	20	1	110	30EMV30-20	50EMV30-20	100EMV30-20	200EMV30-20
3/4	30	25	1	106	30EMV30-25	50EMV30-25	100EMV30-25	200EMV30-25
1	30	30	1	106	30EMV30-30	50EMV30-30	100EMV30-30	200EMV30-30
1	30	40	1	106	30EMV30-40	50EMV30-40	100EMV30-40	200EMV30-40

CATALOG SELECTIONS FOR EMV-P MODEL P PUMPS

HP	GPM	PSIG	DISCH. SIZE	PUMP TYPE	RECEIVER NUMBER 30	RECEIVER NUMBER 50	RECEIVER NUMBER 100	RECEIVER NUMBER 200
1/3	9	20	3/4	110	30EMV-P9-20	50EMV-P9-20	100EMV-P9-20	200EMV-P9-20
1/2	9	25	3/4	110	30EMV-P9-25	50EMV-P9-25	100EMV-P9-25	200EMV-P9-25
3/4	9	30	3/4	116	30EMV-P9-40	50EMV-P9-40	100EMV-P9-40	200EMV-P9-40
1/2	12	20	3/4	110	30EMV-P12-20	50EMV-P12-20	100EMV-P12-20	200EMV-P12-20
3/4	12	25	3/4	110	30EMV-P12-25	50EMV-P12-25	100EMV-P12-25	200EMV-P12-25
3/4	12	30	3/4	116	30EMV-P12-30	50EMV-P12-30	100EMV-P12-30	200EMV-P12-30
1/2	15	20	3/4	110	30EMV-P15-30	50EMV-P15-30	100EMV-P15-30	200EMV-P15-30
3/4	15	25	3/4	116	30EMV-P15-20	50EMV-P15-20	100EMV-P15-20	200EMV-P15-20
1	15	30	3/4	116	30EMV-P15-40	50EMV-P15-40	100EMV-P15-40	200EMV-P15-40
3/4	22	20	1-1/2	116	30EMV-P22-20	50EMV-P22-20	100EMV-P22-20	200EMV-P22-20
3/4	22	25	1-1/2	116	30EMV-P22-25	50EMV-P22-25	100EMV-P22-25	200EMV-P22-25
1	22	30	1-1/2	116	30EMV-P22-30	50EMV-P22-30	100EMV-P22-30	200EMV-P22-30



RECEIVER NO.	30	50	100	200
TANK DIMENSIONS	18-7/8 x 24	18-7/8 x 36	30 x 36	38 x 36
A	30-1/2	30-1/2	41-5/8	49-5/8
B	20-3/4	20-3/4	31-7/8	39-7/8
C	9	9	9	9
106 & 110 PUMP				
C	12	12	12	12
116 PUMP				
D	26-3/4	38-3/4	38-3/4	38-3/4
E	22-3/16	34-3/16	34-3/16	34-3/16
INLET & OVERFLOW				
F	20-3/8	20-3/8	31-1/2	39-1/2
INLET	2"	2"	2"	2"
OVERFLOW	2"	2"	2"	2"
VENT	2"	2"	2"	2"
NET STORAGE GAL.	20	33	66	132

NOTE IF ORDERING A SUCTION ISOLATION VALVE B DIMENSION WILL INCREASE BY 1-1/2".

ACCESSORIES AVAILABLE:

- Thermometers
- Inlet Strainers
- Isolation Valves
- Discharge Pressure Gauges
- Optional Solenoid Valve with or without Air Gap Assembly
- Control Panels (mounted or not)