

Series R-100 Packless Radiator Valves

Marsh R-100 Packless Radiator Valves are an industry standard valve, ruggedly built and designed for years of trouble-free usage. All metal packless construction. Designed for strength and minimal wear.



Series R-100

Usages:

- Hot or cold water and steam
- Pressure to 125#
- Radiators
- Convectors (steam)
- Heat exchangers
- Temperature regulation and supply
- Vacuum, low and high pressure systems

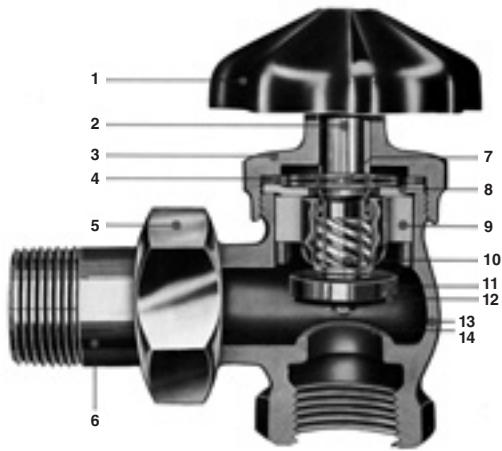
Features:

- Ruggedly-constructed cast bronze
- Packless design
- Fully open/close in one turn
- Bronze metalflex sealing disks
- Leak proof sealing/design
- Larger sized and heat resistant wheel handle
- Non-rising stem

Options:

- Various stem size options for hard to reach applications
- Angle, globe straightaway, right and left hand options
- T shield lock
- Graduated wheel handle (measure opening and closing of unit.)
- Extended tail piece
- Swivel extension stems
- Chrome plating and polishing

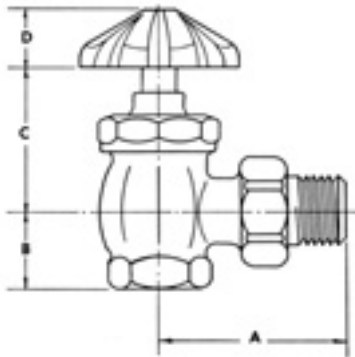




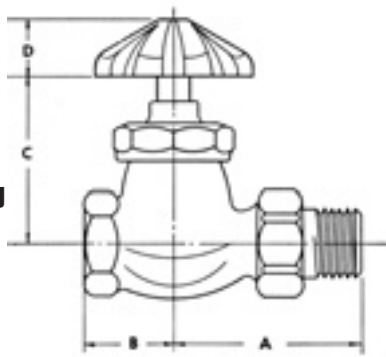
PART	DESCRIPTION
1	Wheel Handle
2	Valve Stem
3	Valve Bonnet
4	Metallflex Sealing Discs
5	Union Nut
6	Tailpiece
7	Stem Collar
8	Sealing Disc Support
9	Thrust Nut
10	Thrust Screw
11	Disc Holder
12	Composition Disc
13	Valve Body
14	Valve Seat

Marsh R-100 Series Patterns And Dimensions

**R-100
Angle**



**R-101
Globe
Straightaway**



R-100A — Angle Pattern

Size	A	B	C	D
1/2"	2 3/8"	1 3/16"	2 3/16"	7/8"
3/4"	2 7/8"	1 3/16"	2 3/16"	7/8"
1"	3 1/8"	1 1/2"	2 5/16"	1"
1 1/4"	3 1/2"	1 3/4"	2 5/8"	1"
1 1/2"	3 7/8"	1 15/16"	2 13/16"	1 1/8"
2"	4 3/8"	2 3/8"	3 1/4"	1 1/8"

R-100G — Straightaway Pattern

Size	A	B	C	D
1/2"	2 3/8"	1 3/8"	2 11/16"	7/8"
3/4"	2 7/8"	1 3/8"	2 13/16"	7/8"
1"	3 1/8"	1 11/16"	3 1/16"	1"
1 1/4"	3 5/8"	2"	3 9/16"	1"
1 1/2"	3 7/8"	2 3/8"	3 7/8"	1 1/8"
2"	4 3/8"	2 3/4"	4 1/2"	1 1/8"

R-105A — Angle Pattern

Size	A	B	C	D
1/2"	2 3/8"	1 3/16"	2 3/16"	7/8"
3/4"	2 7/8"	1 3/16"	2 3/16"	7/8"
1"	3 1/8"	1 1/2"	2 5/16"	1"
1 1/4"	3 1/2"	1 3/4"	2 5/8"	1"
1 1/2"	3 7/8"	1 15/16"	2 13/16"	1 1/8"

R-105G — Straightaway Pattern

Size	A	B	C	D
1/2"	2 3/8"	1 3/8"	2 11/16"	7/8"
3/4"	2 7/8"	1 3/8"	2 13/16"	7/8"
1"	3 1/8"	1 11/16"	3 1/16"	1"
1 1/4"	3 5/8"	2"	3 9/16"	1"
1 1/2"	3 7/8"	2 3/8"	3 7/8"	1 1/8"

Please specify size and pattern when ordering. Contact Marsh for special engineering or further product information or requests.