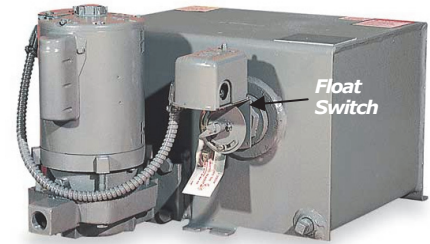


# B&G Hoffman Specialty Condensate Pumps

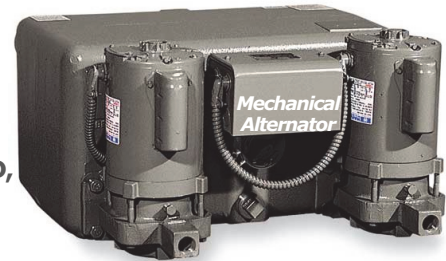
## Hoffman Specialty Condensate Pumps for Steam Heating

These Hoffman Specialty brand "Watchman" model condensate pumps are available in 1/3 horsepower, running at 3450 rpm.

- Choose from Cast Iron (for harsh water conditions — more expensive) or Steel receiver tanks. Standard voltage is 115/230, single phase, 3500 rpm.
- Factory wired for 115V — may be field converted to 230V.
- Choose from 6, 9 or 14 gallon tank models.
- 3/4" discharge pipe size from pump. Three phase not available.
- Choose either **simplex** (1 pump/motor) or **duplex** (2 pumps/motors) models.
- Two-pole float switch screwed into pump tank and wired to pump(s).
- Mechanical alternator (in place of float switch) on duplex models.
- Mechanical seal rated to 250° F.



Model WC, Simplex (1 pump)



Model WCD, Duplex (2 pumps)

### Condensate Pumps with Cast Iron Tanks

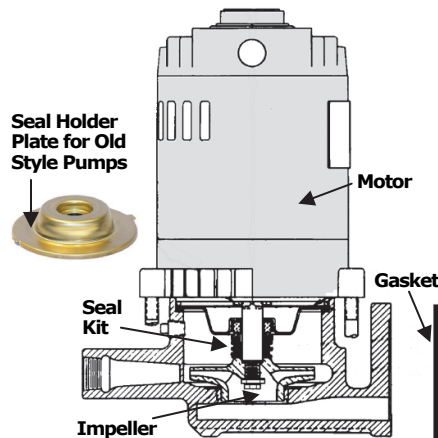
#### Repair Parts

Models	Simplex or Duplex	Discharge Pressure	Pump GPM	Motor H.P.	Tank (Gals)	Complete Order No.	Seal Kit w/gaskets	Motor Only	Complete Pump & Motor	Impeller
WC-6-20B	Simplex	20	8	1/3	6	<b>HM1005</b>	<b>HJ1015</b>	<b>HJ1031</b>	<b>HJ1030</b> <i>Attaches directly to your tank. Gasket included</i>	<b>HJ1090</b>
WC-8-20B			12		9	<b>HM1010</b>				
WC-12-20B			18		14	<b>HM1015</b>				
WCD-12-20B	Duplex	14	<b>HM1020</b>							

### Condensate Pumps with Steel Tanks

#### Repair Parts

Models	Simplex or Duplex	Discharge Pressure	Pump GPM	Motor H.P.	Tank (Gals)	Complete Order No.	Seal Kit w/gaskets	Motor Only	Complete Pump & Motor	Impeller
WCS-6-20B	Simplex	20	8	1/3	6	<b>HM1005A</b>	<b>HJ1015</b>	<b>HJ1031</b>	<b>HJ1030</b> <i>Attaches directly to your tank. Gasket included</i>	<b>HJ1090</b>
WCS-8-20B	Simplex	20	12	1/3	9	<b>HM1010A</b>				
WCS-12-20B	Simplex	20	18	1/3	14	<b>HM1015A</b>				
WCSD-12-20B	Duplex	20	18	1/3	14	<b>HM1020A</b>				



**Complete Pump and Motor**  
Pre-assembled with impeller & volute

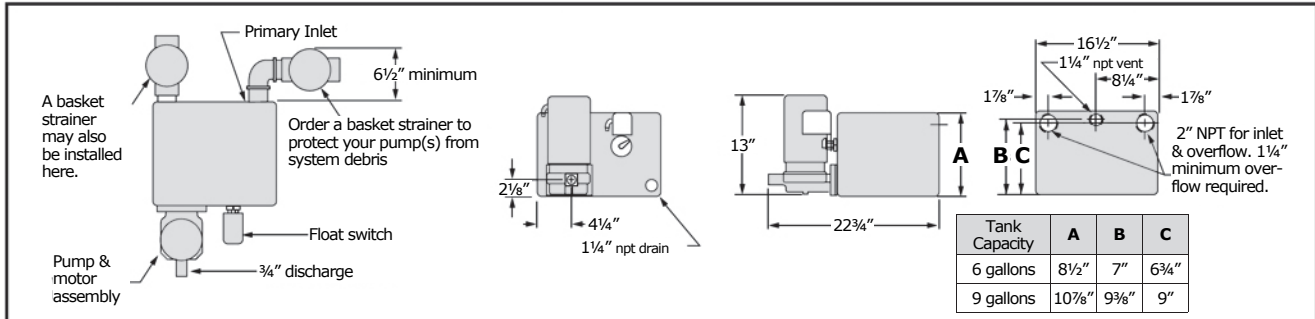
### More Repair Parts and Replacement Components

Models	Pump Style	Tank-to-Pump Gasket Only	Seal Holder (Old Style)	Float Switch for Simplex Style	Mechanical Alternator for Duplex style
<b>Condensate Pumps with Cast Iron Tanks</b>					
WC-6-20B	Simplex	<b>HJ1095</b>	<b>HJ1087</b>	<b>SF5005</b>	<b>DL1366</b>
WC-8-20B	Simplex				
WCD-8-20B	Duplex				
WC-12-20B	Simplex				
WCD-12-20B	Duplex				
<b>Condensate Pumps with Steel Tanks</b>					
WCS-6-20B	Simplex	<b>HJ1095</b>	<b>HJ1087</b>	<b>SF5005</b>	<b>DL1366</b>
WCS-8-20B	Simplex				
WCS-12-20B	Simplex				
WCSD-12-20B	Duplex				

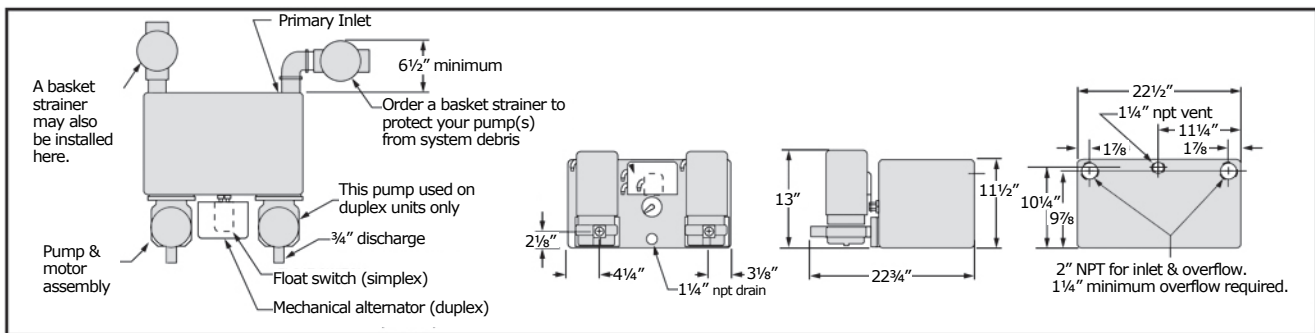
# B&G Hoffman Specialty Condensate Pump Dimensions

## Dimension Guide for Hoffman Condensate Pumps

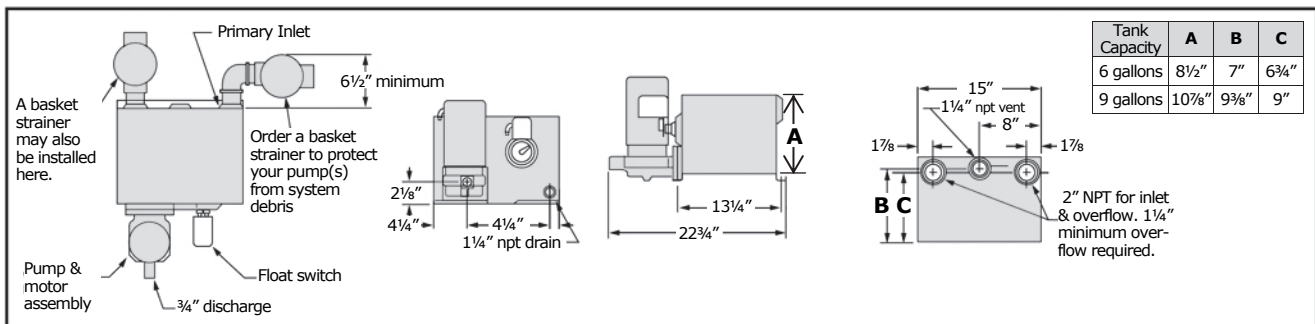
### Watchman WC with 6 and 9 gallon Cast Iron Tanks



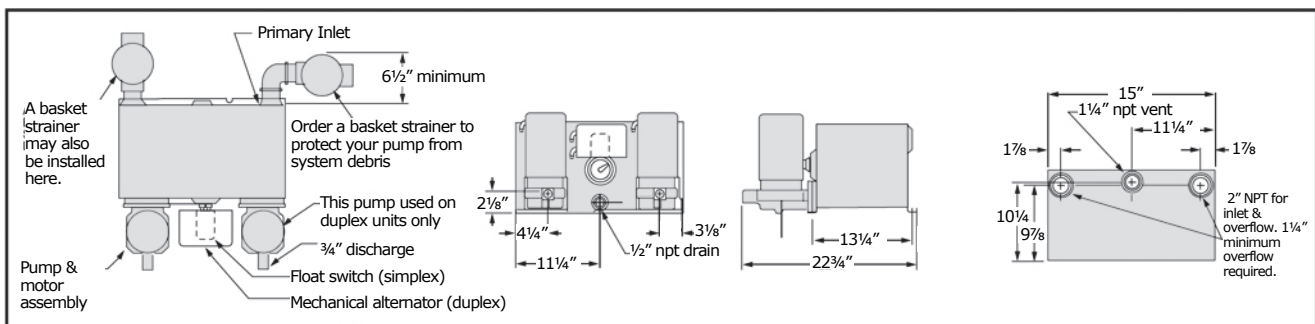
### Watchman WC with 14 gallon Cast Iron Tank



### Watchman WCS with 6 and 9 gallon Steel Tanks



### Watchman WCS with 14 gallon Steel Tank



Same-Day Shipping on thousands of Hoffman Specialty pumps and replacement components!