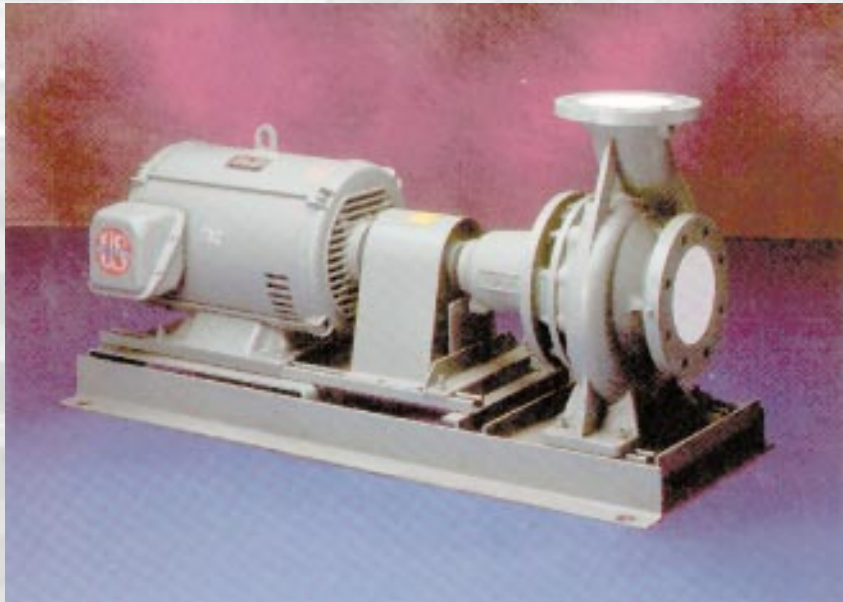


FE Frame-Mounted End Suction Pumps



Quiet, dependable power and proven performance.

FE Series Pumps meet the latest standards for hydraulic performance and dimensional characteristics. Each is backed by Taco, Inc., a worldwide leader in heating and cooling equipment for more than seven decades.

Parts standardization and interchangeability for the FE Pump line results in reduced parts inventories and lower costs for multiple pump installations. An easy-to-replace, slip-on shaft sleeve facilitates seal maintenance in the field and lowers maintenance costs. The exclusive dry shaft design protects the pump shaft by eliminating contact between the shaft and the circulating fluid. Corrosion-resistant shaft materials are generally not required. FE Pumps also feature flush seal line taps, allowing the installation of a filter to protect the seal from non-condensible particles present in open systems. In addition, pressure tapings on suction and discharge flanges promote easy verification of pump performance.

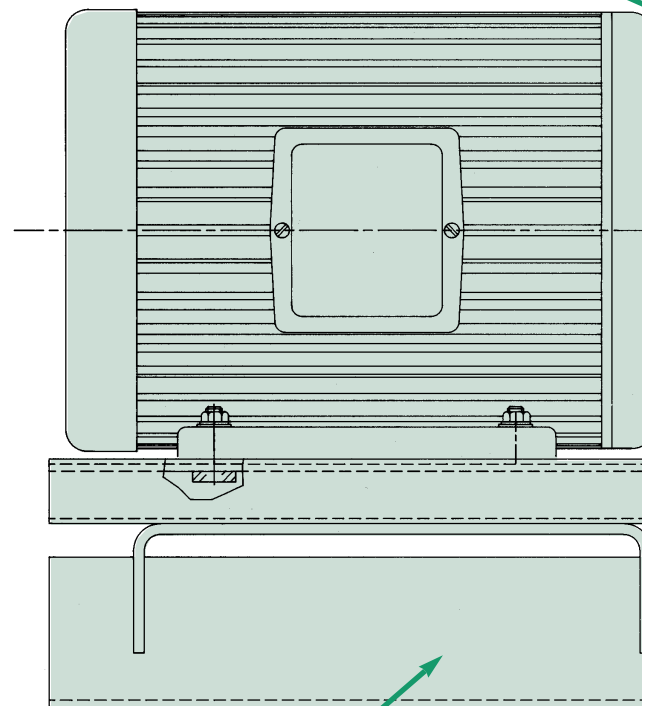
All FE Pumps are provided with the unique Taco Space Base to minimize misalignment and facilitate maintenance. The guide rail design of the space base allows the pump and motor to be easily slid in and out of place for servicing. The space base eliminates the need for expensive spacer couplings which complicate the alignment process. The space base also provides ample open space for easy grouting.

Taco FE Pumps are ideally suited for a variety of applications, including heating, air conditioning, pressure boosting, cooling water transfer, and water supply.

Easy-to-replace slip-on shaft sleeve facilitates seal maintenance in the field and lowers long-term maintenance costs.

Pressure tapings on suction and discharge flanges promote easy verification of pump performance.

Rear pullout design allows pump to be serviced without disturbing the system piping.



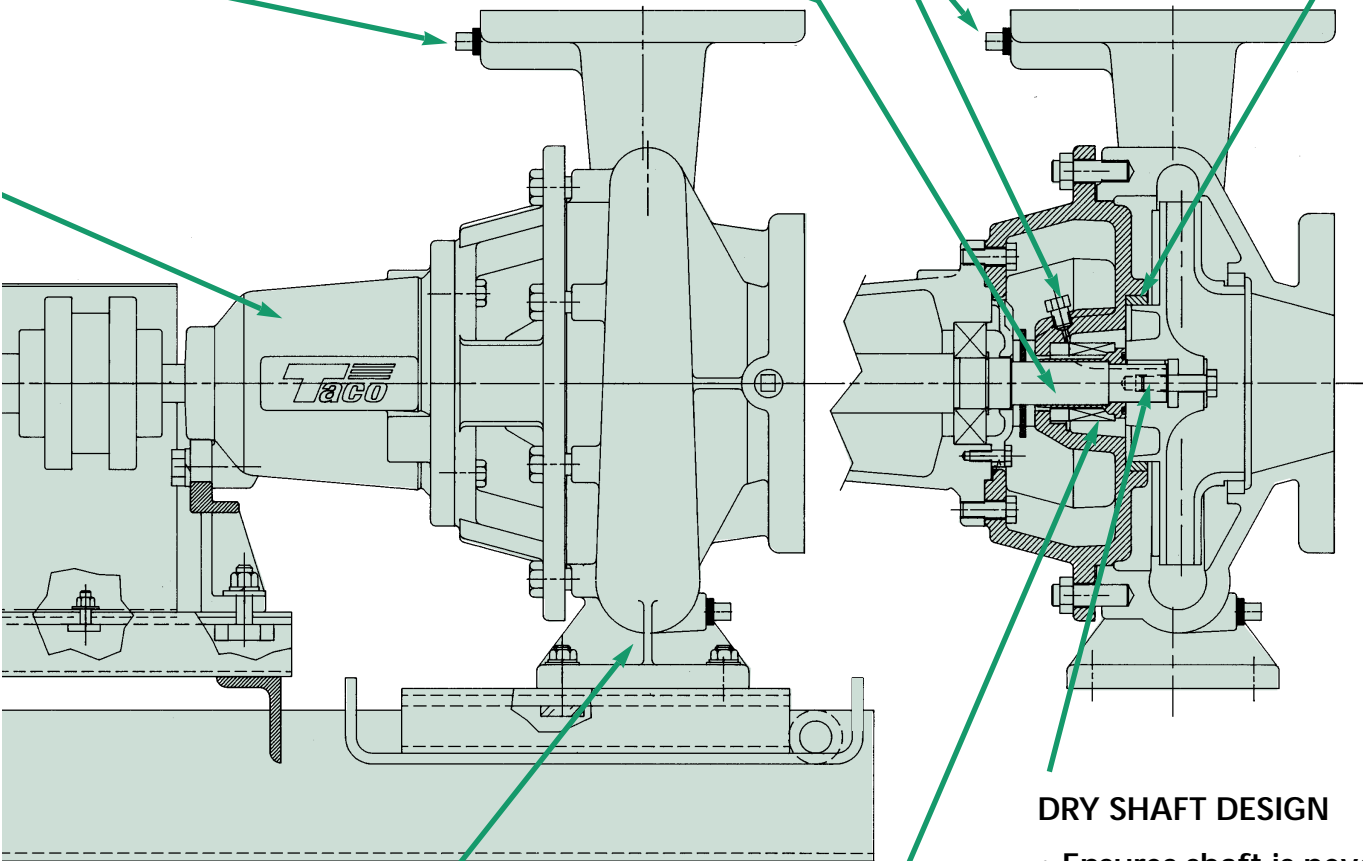
TACO SPACE BASE

- **Steel construction provides for rigid base installation.**
- **Built-in drain pan collects all condensate and seal leakage.**
- **Ample open space for easy grouting.**
- **Unique guide rail design allows pump and motor to be slid in and out of place for easy service while minimizing misalignment.**

Top center line discharge design
simplifies piping layouts,
reduces piping strain, and makes
the pump self-venting.

Flush seal line tap allows installation
of filter to protect seal from particles
present in open systems.

Low-cost, replaceable
wear rings protect
casing during normal
operation.



Cast iron casing with integrally cast
feet enables pump to be bolted to
base for sturdier installation and still
allow back pull out without
disturbing the piping.

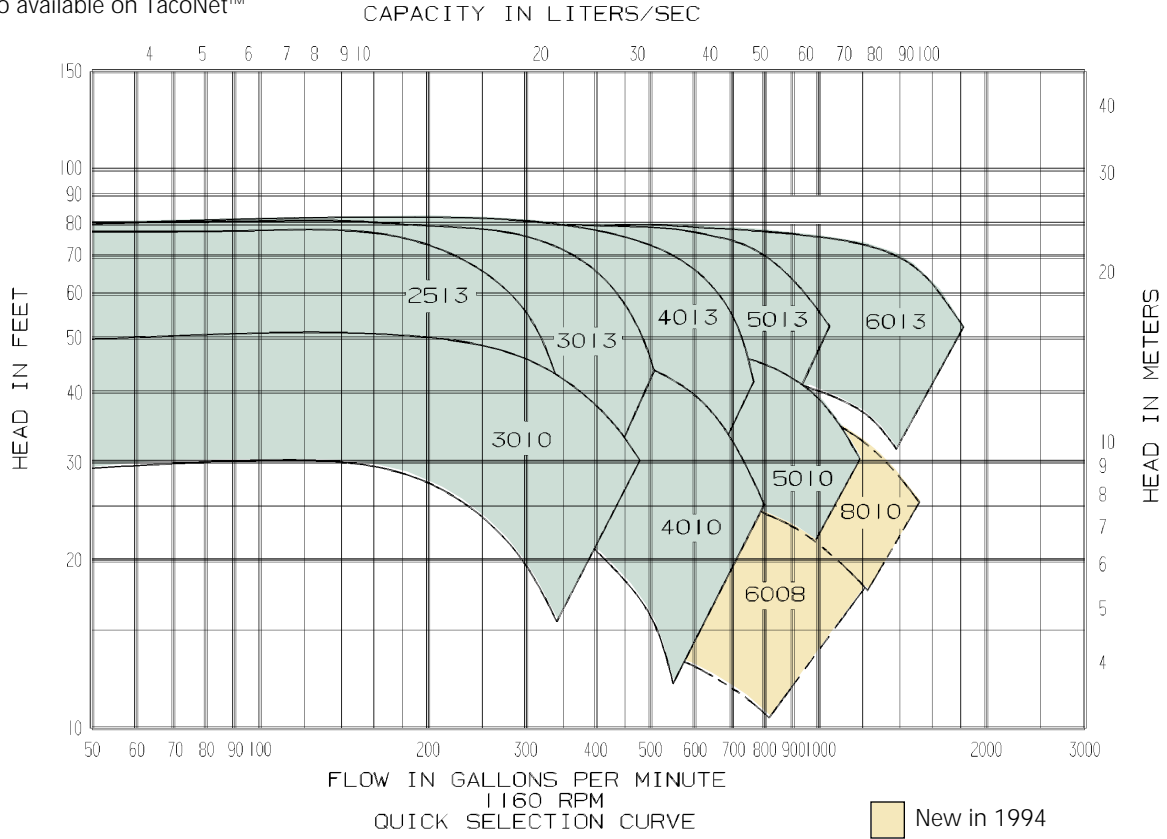
DRY SHAFT DESIGN

- Ensures shaft is never exposed to the system fluid.
- Eliminates need for expensive corrosion-resistant shaft.
- Simplifies sleeve and seal removal / reassembly.

Standard ceramic seals promote product flexibility:
enables basic product offering to meet a wide range of
application requirements.

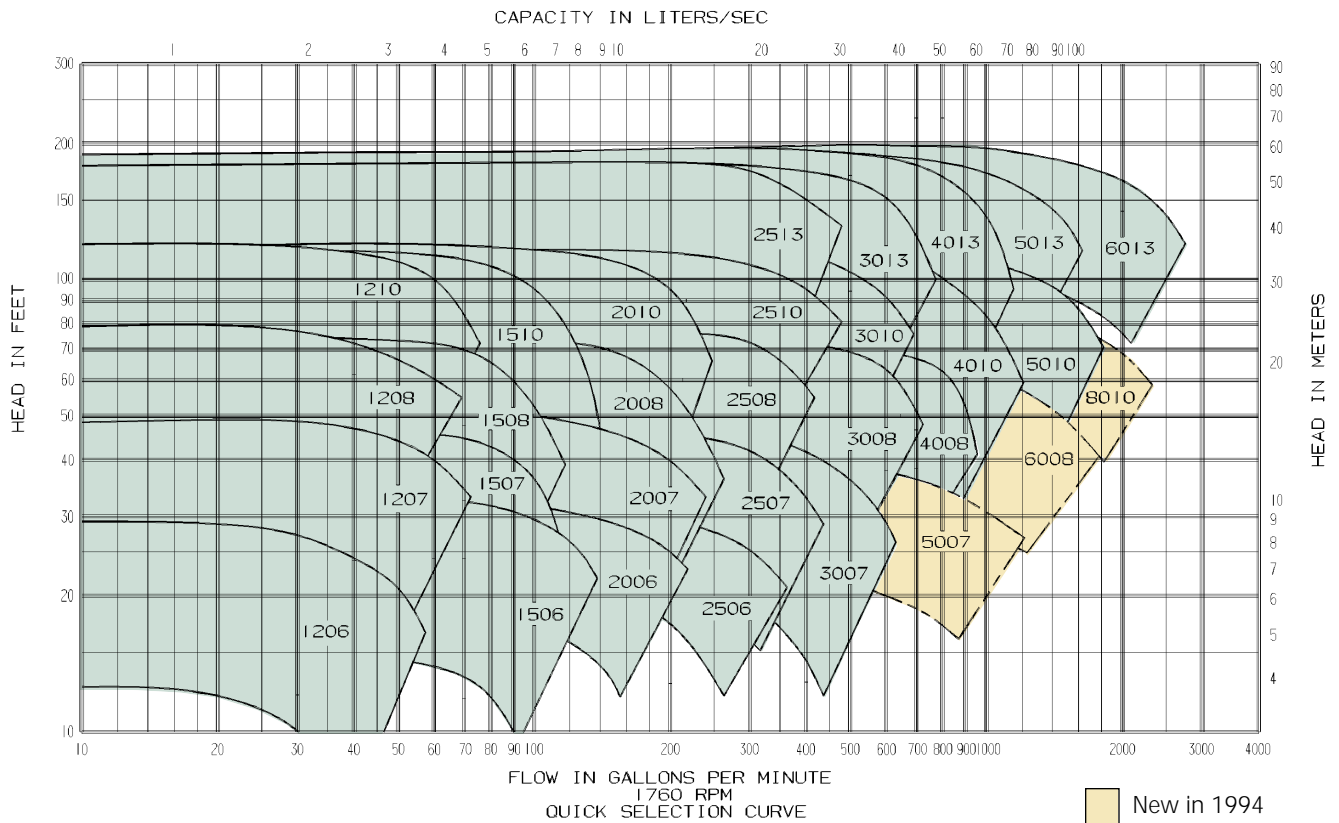
FE SERIES PERFORMANCE FIELD 1160 RPM

Curves also available on TacoNet™



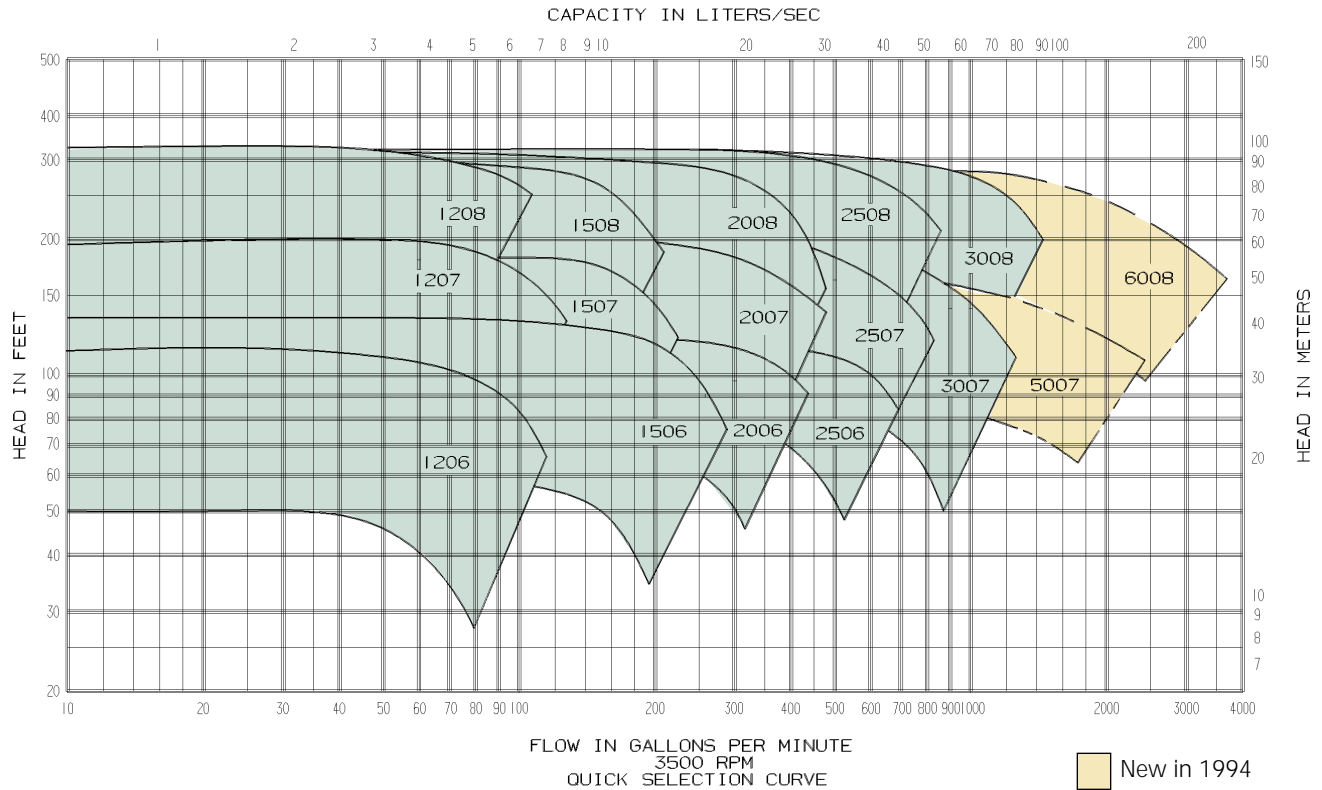
FE SERIES PERFORMANCE FIELD 1760 RPM

Curves also available on TacoNet™



FE SERIES PERFORMANCE FIELD 3500 RPM

Curves also available on TacoNet™

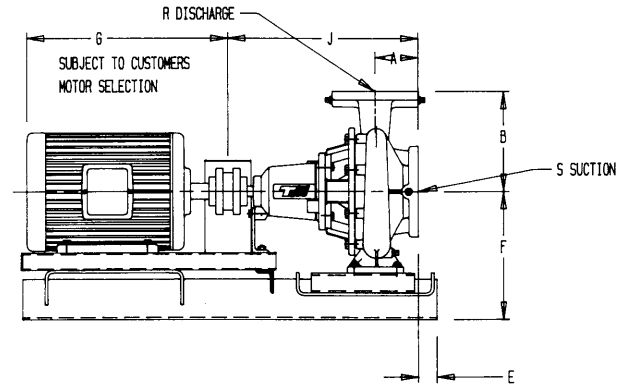
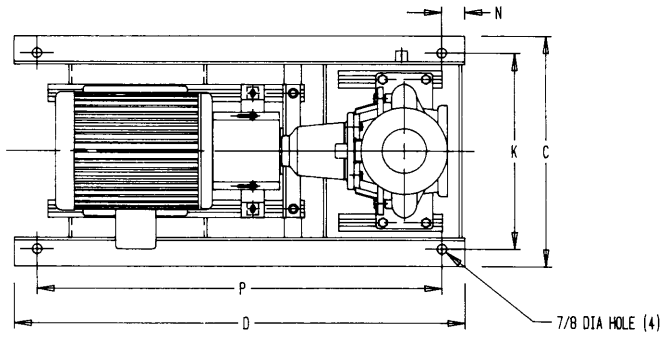


FE PUMP MATERIALS OF CONSTRUCTION

Description	Bronze Fitted		All Iron	
	Standard*	Optional	Standard	Optional
Casing	Cast Iron ASTM A48 CLASS 35		Cast Iron ASTM A48 CLASS 35	
Impeller	Bronze ASTM B30 ALLOY 4A		Bronze ASTM A48 CLASS 35	
Wear Ring	Bronze ASTM B30 ALLOY 4A		Bronze ASTM B30 ALLOY 4A	
Shaft	Carbon Steel AISI 1045	Stainless Steel AISI 416	Carbon Steel AISI 1045	Stainless Steel AISI 416
Shaft Sleeve	Bronze SAE 660	Stainless Steel AISI 416	Stainless Steel AISI 416	
Mechanical Seal: Stationary Seat	Ceramic	Tungsten Carbide	Ceramic	Tungsten Carbide
Rotating Face	Carbon		Carbon	
Elastomer	Ethylene Propylene		Ethylene Propylene	
Spring	Stainless Steel		Stainless Steel	
Seal Flush Line		Copper		Copper

*Standard Pump Construction

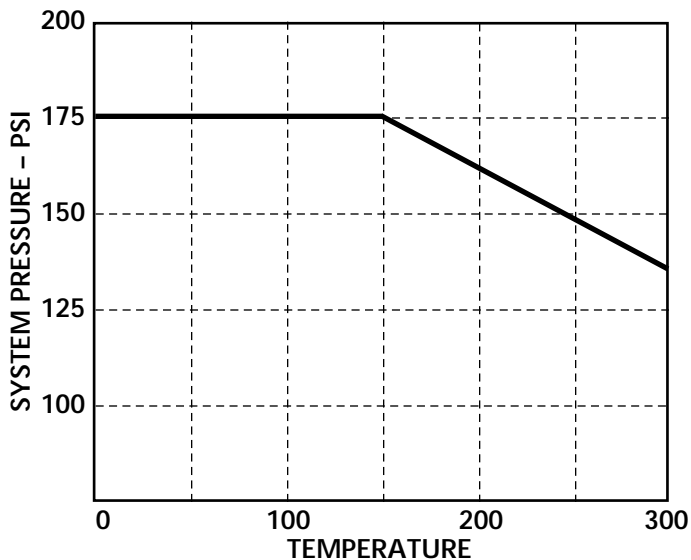
FE SERIES PUMP DIMENSIONS



Series No. FE	MTR Frame Size	A	B	C	D	E	F	J	K	N	P	R DISCH.	S SUCT.
1206	56-143T	2 1/8	5 1/2	16	32	1 1/2	7 29/32	15 21/32	14	2	28	1 1/4	2
	145T-184T	32	28										
1207	56-145T	2 1/8	6 1/8	16	32	1 1/2	8 23/32	15 21/32	14	2	28	1 1/4	2
	182T-215T				36						32		
1208	56-145T	2 1/8	6 15/16	16	32	1 1/2	9 13/16	15 21/32	14	2	28	1 1/4	2
	182T-215T				36						32		
1210	182T-184T	3 3/4	8 11/16	18	42	1 1/2	10 19/32	20 11/32	16	2	38	1 1/4	2
1506	56-145T	2 1/8	5 5/8	16	32	1 1/2	7 29/32	15 21/32	14	2	28	1 1/2	2 1/2
	182T-215T				36						32		
1507	56-145T	2 1/8	6 1/8	16	32	1 1/2	8 23/32	15 21/32	14	2	28	1 1/2	2 1/2
	182T-215T				36						32		
1508	143T-184T	3 3/4	6 29/32	18	36	1 1/2	9 13/16	16 7/16	16	2	32	1 1/2	2 1/2
	213T-256T				42						38		
1510	143T-213T	3 3/4	8 11/16	18	42	1 1/2	10 19/32	20 11/32	16	2	38	1 1/2	2 1/2
2006	56-145T	3 3/4	6 1/8	16	32	1 1/2	8 23/32	16 7/16	14	2	28	2	2 1/2
	182T-215T				36						32		
2007	143T-184T	3 3/4	6 29/32	18	36	1 1/2	9 13/16	16 7/16	16	2	32	2	2 1/2
	213T-256T				42						38		
2008	143T-184T	3 3/4	7 11/16	18	39	1 1/2	9 13/16	20 11/32	16	2	35	2	2 1/2
	213T-286TS			20	46				18		42		
2010	143T-215T	3 3/4	8 21/32	18	42	1 1/2	10 19/32	20 11/32	16	2	38	2	2 1/2
2506	143T-184T	3 3/4	6 29/32	18	36	1 1/2	9 13/16	16 7/16	16	2	32	2 1/2	3
	213T-256T				42						38		
2507	143T-184T	3 3/4	7 11/16	18	39	1 1/2	9 13/16	20 11/32	16	2	35	2 1/2	3
	215T-286TS			20	46				18		42		
2508	182T-215T	3 3/4	8 21/32	18	42	1 1/2	10 19/32	20 11/32	16	2	38	2 1/2	3
	254T-326TS			22	49				20		45		
2510	184T-254T	3 3/4	9 21/32	20	46	1 1/2	11 3/8	20 11/32	18	2	42	2 1/2	3
2513	184T-284T	4 23/32	10 27/32	22	49	1 1/2	12 3/8	22 9/16	20	2	45	2 1/2	3
3007	145T-215T	4 23/32	8 21/32	18	42	1 1/2	10 19/32	21 9/16	16	2	38	3	4
	254T-326TS			22	49				20		45		
3008	184T-254T	4 23/32	9 5/8	20	46	1 1/2	10 19/32	21 9/16	18	2	42	3	4
3010	184T-284T	4 23/32	10 27/32	22	46	1 1/2	11 3/8	21 9/16	20	2	42	3	4
3013	213T-324T	4 23/32	12 1/2	22	53	1 1/2	13 11/32	22 9/16	20	2	49	3	4
4008	184T-256T	4 23/32	10 27/32	20	46	1 1/2	11 3/8	21 9/16	18	2	42	4	5
4010	213T-286T	5 5/16	10 27/32	22	53	1 1/2	12 3/8	23 1/16	20	2	49	4	5
4013	215T-326T	5 5/16	12 1/2	22	53	1 1/2	13 11/32	22 29/32	20	2	49	4	5
5007	143T-215T	5 5/16	11	20	42	1 1/2	11 3/8	22 17/32	18	2	38	5	5

Series No. FE	MTR Frame Size	A	B	C	D	E	F	J	K	N	P	R	S
5010	215T-326T	5 5/8	13 25/32	22	53	1 1/2	13 1/32	23 1/8	20	2	49	5	6
5013	215T-286T	5 5/8	13 25/32	28	50	1 7/8	14 17/32	22 29/32	25	2	46	5	6
	324T-365T				55						51		
6008	213T-286T	6 1/8	14	28	50	1 7/8	14 17/32	23 17/32	25	2	46	6	6
6013	256T-286T	6 1/8	15 5/8	28	50	1 7/8	14 17/32	23 11/16	25	2	46	6	8
	324T-405T				58						54		
8010	254T-326T	6 1/8	16	28	55	1 7/8	15 29/32	24 17/32	25	2	51	8	8

Rating Class: 125 Class A
PRESSURE-TEMPERATURE RATINGS



OPERATING SPECIFICATIONS		
	Standard	Optional
Pressure	175 PSIG*	
Temperature: Mechanical Seal	250F	300F

Motors: All NEMA Standard (T or TS)

* In accordance with ANSI Standard B16.1 Class 125

ADDITIONAL OPTIONS	
Filters	Cuno 5 Micron
Separators	Kynar Cyclone Separator
Couplings	Spacer Type

TYPICAL SPECIFICATION

Furnish and install centrifugal end suction single stage pump(s) with capacities and characteristics as shown on the plans. Pumps shall be Taco model FE or approved equal.

Pump volute or casing shall be center-line discharge for positive air venting constructed of class 35 cast iron with integrally cast mounting feet. The pump shall be fitted with replaceable bronze wear rings, drilled and tapped for gauge ports at both the suction and discharge flanges and for drain port at the bottom of the casing.



For more information about Taco products, call or write:

Taco, Inc. 1160 Cranston Street, Cranston, Rhode Island, USA 02920 401-942-8000 FAX 401-942-2360
Taco, (Canada) Ltd. 1310 Aimco Boulevard , Mississauga, Ontario, L4W 1B2 416-625-2169 FAX 416-625-8616

Made in U.S.A.