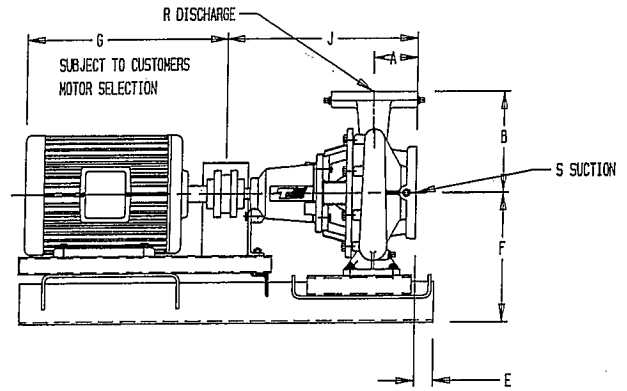
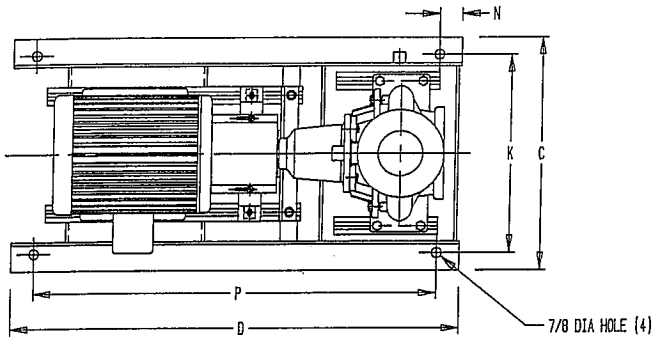


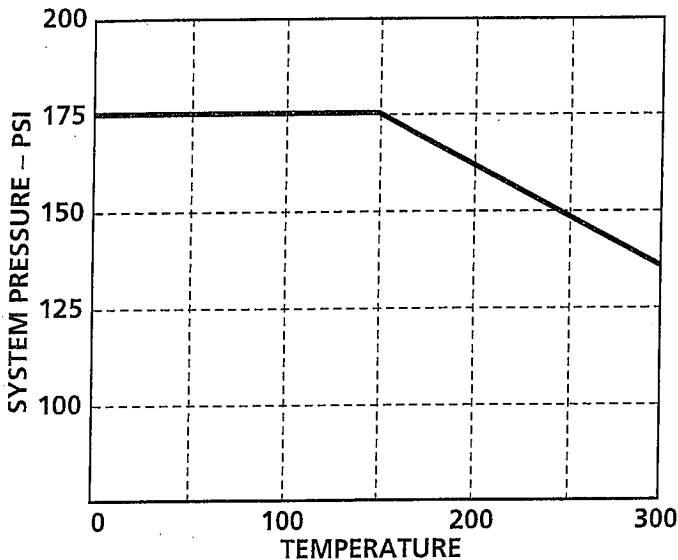
FE SERIES PUMP DIMENSIONS



Series No. FE	MTR Frame Size	A	B	C	D	E	F	J	K	N	P	R DISCH.	S SUCT.
1206	56-143T	2 ¹⁵ / ₁₆	5 ¹¹ / ₃₂	16	32	1 ¹ / ₂	7 ²⁹ / ₃₂	15 ²¹ / ₃₂	14	2	28	1 ¹ / ₂	2
	145T-184T	32	28										
1207	56-145T	2 ¹⁵ / ₁₆	6 ¹ / ₈	16	32	1 ¹ / ₂	8 ²³ / ₃₂	15 ²¹ / ₃₂	14	2	28	1 ¹ / ₂	2
	182T-215T	36	32										
1208	56-145T	2 ¹⁵ / ₁₆	6 ¹⁵ / ₁₆	16	32	1 ¹ / ₂	9 ¹ / ₁₆	15 ²¹ / ₃₂	14	2	28	1 ¹ / ₂	2
	182T-215T	36	32										
1210	182T-184T	3 ³ / ₄	8 ¹ / ₁₆	18	42	1 ¹ / ₂	10 ¹⁹ / ₃₂	20 ¹¹ / ₃₂	16	2	38	1 ¹ / ₂	2
1506	56-145T	2 ¹⁵ / ₁₆	5 ⁵ / ₁₆	16	32	1 ¹ / ₂	7 ²⁹ / ₃₂	15 ²¹ / ₃₂	14	2	28	1 ¹ / ₂	2 ¹ / ₂
	182T-215T	36	32										
1507	56-145T	2 ¹⁵ / ₁₆	6 ¹ / ₈	16	32	1 ¹ / ₂	8 ²³ / ₃₂	15 ²¹ / ₃₂	14	2	28	1 ¹ / ₂	2 ¹ / ₂
	182T-215T	36	32										
1508	143T-184T	3 ³ / ₄	6 ²⁹ / ₃₂	18	36	1 ¹ / ₂	9 ¹³ / ₁₆	16 ⁷ / ₁₆	16	2	32	1 ¹ / ₂	2 ¹ / ₂
	213T-256T	42	38										
1510	143T-213T	3 ³ / ₄	8 ¹ / ₁₆	18	42	1 ¹ / ₂	10 ¹⁹ / ₃₂	20 ¹¹ / ₃₂	16	2	38	1 ¹ / ₂	2 ¹ / ₂
2006	56-145T	3 ³ / ₄	6 ¹ / ₈	16	32	1 ¹ / ₂	8 ²³ / ₃₂	16 ⁷ / ₁₆	14	2	28	2	2 ¹ / ₂
	182T-215T	36	32										
2007	143T-184T	3 ³ / ₄	6 ²⁹ / ₃₂	18	36	1 ¹ / ₂	9 ¹³ / ₁₆	16 ⁷ / ₁₆	16	2	32	2	2 ¹ / ₂
	213T-256T	42	38										
2008	143T-184T	3 ³ / ₄	7 ¹¹ / ₁₆	18	39	1 ¹ / ₂	9 ¹³ / ₁₆	20 ¹¹ / ₃₂	16	2	35	2	2 ¹ / ₂
	213T-286TS	20	46		18						42		
2010	143T-215T	3 ³ / ₄	8 ²¹ / ₃₂	18	42	1 ¹ / ₂	10 ¹⁹ / ₃₂	20 ¹¹ / ₃₂	16	2	38	2	2 ¹ / ₂
2506	143T-184T	3 ³ / ₄	6 ²⁹ / ₃₂	18	36	1 ¹ / ₂	9 ¹³ / ₁₆	16 ⁷ / ₁₆	16	2	32	2 ¹ / ₂	3
	213T-256T	42	38										
2507	143T-184T	3 ³ / ₄	7 ¹¹ / ₁₆	18	39	1 ¹ / ₂	9 ¹³ / ₁₆	20 ¹¹ / ₃₂	16	2	35	2 ¹ / ₂	3
	215T-286TS	20	46		18						42		
2508	182T-215T	3 ³ / ₄	8 ²¹ / ₃₂	18	42	1 ¹ / ₂	10 ¹⁹ / ₃₂	20 ¹¹ / ₃₂	16	2	38	2 ¹ / ₂	3
	254T-326TS	22	49		20						45		
2510	184T-254T	3 ³ / ₄	9 ²¹ / ₃₂	20	46	1 ¹ / ₂	11 ³ / ₈	20 ¹¹ / ₃₂	18	2	42	2 ¹ / ₂	3
2513	184T-284T	4 ²³ / ₃₂	10 ²⁷ / ₃₂	22	49	1 ¹ / ₂	12 ³ / ₈	22 ⁵ / ₁₆	20	2	45	2 ¹ / ₂	3
3007	145T-215T	4 ²³ / ₃₂	8 ²¹ / ₃₂	18	42	1 ¹ / ₂	10 ¹⁹ / ₃₂	21 ⁵ / ₁₆	16	2	38	3	4
	254T-326TS	22	49		20						45		
3008	184T-254T	4 ²³ / ₃₂	9 ⁵ / ₈	20	46	1 ¹ / ₂	10 ¹⁹ / ₃₂	21 ⁵ / ₁₆	18	2	42	3	4
3010	184T-284T	4 ²³ / ₃₂	10 ²⁷ / ₃₂	22	46	1 ¹ / ₂	11 ³ / ₈	21 ⁵ / ₁₆	20	2	42	3	4
3013	213T-324T	4 ²³ / ₃₂	12 ⁷ / ₃₂	22	53	1 ¹ / ₂	13 ¹¹ / ₃₂	22 ⁵ / ₁₆	20	2	49	3	4
4008	184T-256T	4 ²³ / ₃₂	10 ²⁷ / ₃₂	20	46	1 ¹ / ₂	11 ³ / ₈	21 ⁵ / ₁₆	18	2	42	4	5
4010	213T-286T	5 ⁵ / ₁₆	10 ²⁷ / ₃₂	22	53	1 ¹ / ₂	12 ³ / ₈	23 ¹ / ₁₆	20	2	49	4	5
4013	215T-326T	5 ⁵ / ₁₆	12 ⁷ / ₃₂	22	53	1 ¹ / ₂	13 ¹¹ / ₃₂	22 ²⁹ / ₃₂	20	2	49	4	5
5007	143T-215T	5 ⁵ / ₁₆	11	20	42	1 ¹ / ₂	11 ³ / ₈	22 ¹⁷ / ₃₂	18	2	38	5	5

Series No. FE	MTR Frame Size	A	B	C	D	E	F	J	K	N	P	R	S
5010	215T-326T	5 5/16	13 25/32	22	53	1 1/2	13 1/32	23 1/16	20	2	49	5	6
5013	215T-286T	5 5/16	13 25/32	28	50	1 1/8	14 1/32	22 29/32	25	2	46	5	6
	55				51								
6008	213T-286T	6 1/8	14	28	50	1 3/8	14 1/32	23 1/32	25	2	46	6	6
6013	256T-286T	6 1/8	15 5/16	28	50	1 1/8	14 1/32	23 1/16	25	2	46	6	8
	58				54								
8010	254T-326T	6 1/8	16	28	55	1 1/8	15 29/32	24 1/32	25	2	51	8	8

Rating Class: 125 Class A
PRESSURE-TEMPERATURE RATINGS



OPERATING SPECIFICATIONS		
	Standard	Optional
Pressure	175 PSIG*	
Temperature: Mechanical Seal	250F	***

Motors: All NEMA Standard (T or TS)
 * In accordance with ANSI Standard B16.1 Class 125

ADDITIONAL OPTIONS	
Filters	Cuno 5 Micron
Separators	Kynar Cyclone Separator
Couplings	Spacer Type

***For operating temperatures above 250°F, a cooled flush is required and is recommended for temperatures above 225°F for optimum seal life. On closed systems cooling is accomplished by inserting a small heat exchanger in the flush line to cool the seal flushing fluid.

TYPICAL SPECIFICATION

Furnish and install centrifugal end suction single stage pump(s) with capacities and characteristics as shown on the plans. Pumps shall be Taco model FE or approved equal.

Pump volute or casing shall be center-line discharge for positive air venting constructed of class 35 cast iron with integrally cast mounting feet. The pump shall be fitted with replaceable bronze wear rings, drilled and tapped for gauge ports at both the suction and discharge flanges and for drain port at the bottom of the casing.

The impeller shall be bronze and hydraulically balanced by either back vanes or back wear ring and balancing holes. The impeller shall be dynamically balanced and shall be fitted to the shaft with a key.

The pump shall incorporate a dry shaft design to prevent the circulating fluid from contacting the shaft. The pump shaft shall be high tensile steel with replaceable bronze (stainless steel) shaft sleeve.

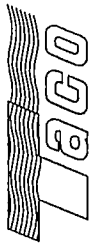
The cast iron pump bearing housing shall have heavy duty regreaseable ball bearings replaceable without disturbing the piping connections and shall have a foot support at the driver end.

The pump shall have a self flushing seal design or a positive external seal flushing line. Any mechanical seal pump used on an open system shall be furnished with a seal flush line and a Purocell #900 replaceable cartridge filter with shut-off isolation valve installed in the seal flushing line. The filter

shall have the ability to remove particles down to five microns in size.

The pump seal shall be EPT Ceramic rated to 250 F.

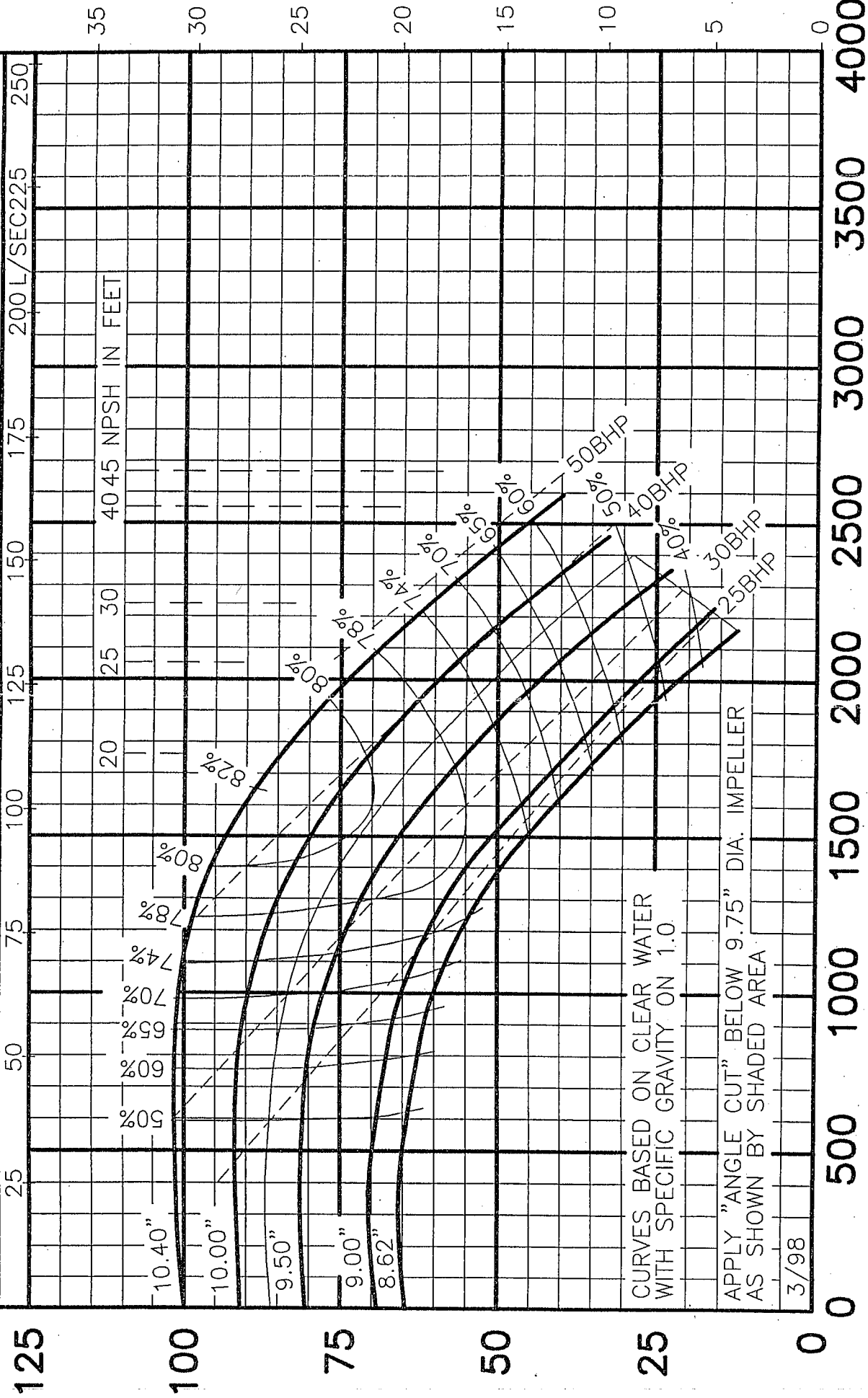
The base shall be made of structural steel and incorporate a guide rail system to allow the pump and motor to be slid apart for service without risking major misalignment or disturbing the piping. The base shall also include a built-in drain pan. A flexible coupler shall connect the pump to the motor and shall be covered by a coupler guard. Contractor shall level and grout each pump according to the manufacturers recommendations to insure proper alignment prior to operation.



Model 8010 FE Series

1760 RPM
March 2, 1998

Curve no. 1807
Min. Imp. Dia. 8.62
Size 8 x 8 x 10



CURVES BASED ON CLEAR WATER
WITH SPECIFIC GRAVITY ON 1.0.

APPLY "ANGLE CUT" BELOW 9.75" DIA. IMPELLER
AS SHOWN BY SHADED AREA

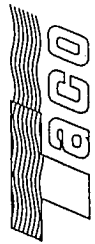
3/98

HEAD IN FEET

FLOW IN GALLONS PER MINUTE

HEAD IN METERS

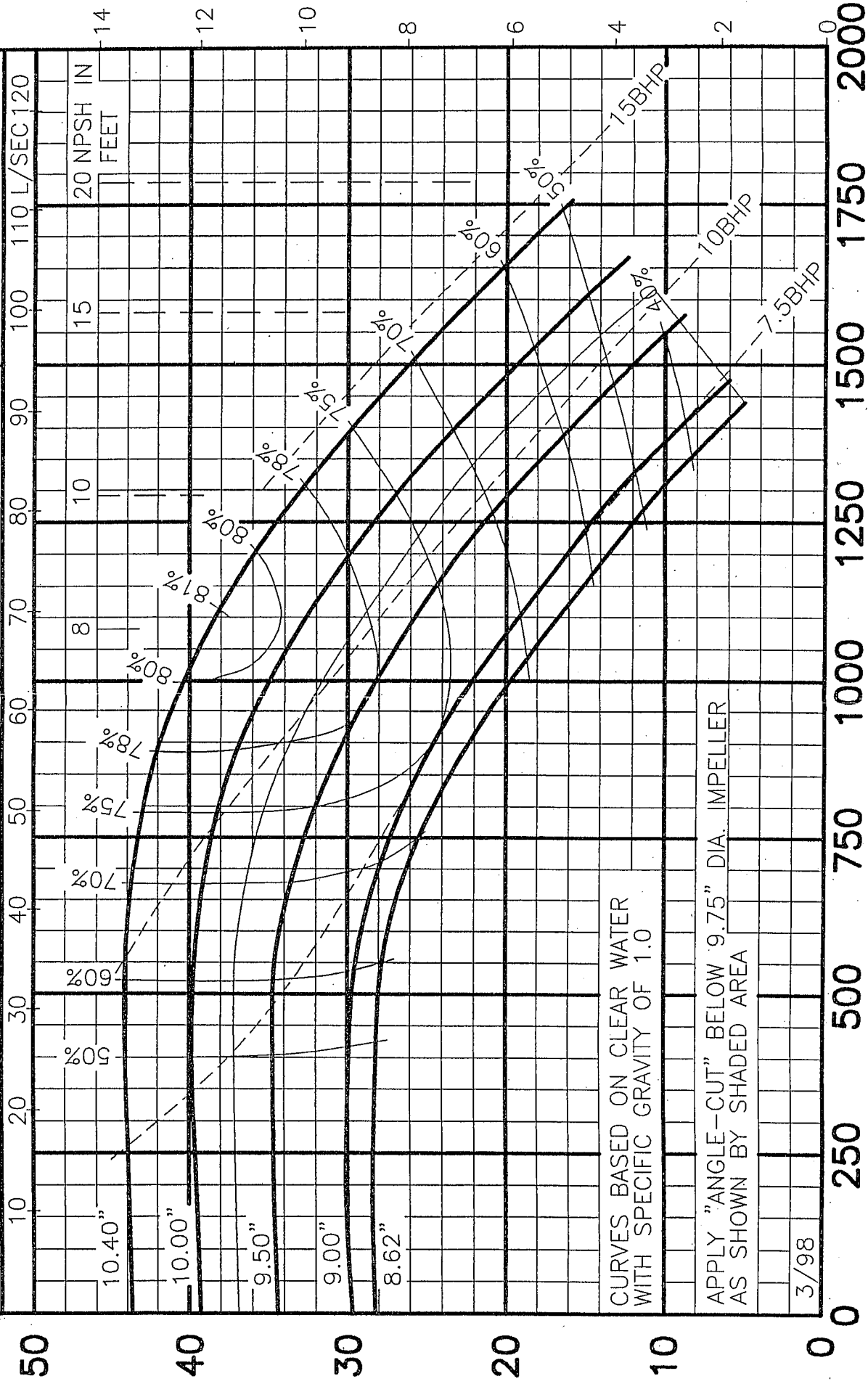
FE



Model 8010
FE Series

1160 RPM
March 2, 1998

Curve no. 1809
Min. Imp. Dia. 8.62
Size 8 x 8 x 10



CURVES BASED ON CLEAR WATER
WITH SPECIFIC GRAVITY OF 1.0

APPLY "ANGLE-CUT" BELOW 9.75" DIA. IMPELLER
AS SHOWN BY SHADED AREA

3/98

FLOW IN GALLONS PER MINUTE

HEAD IN METERS