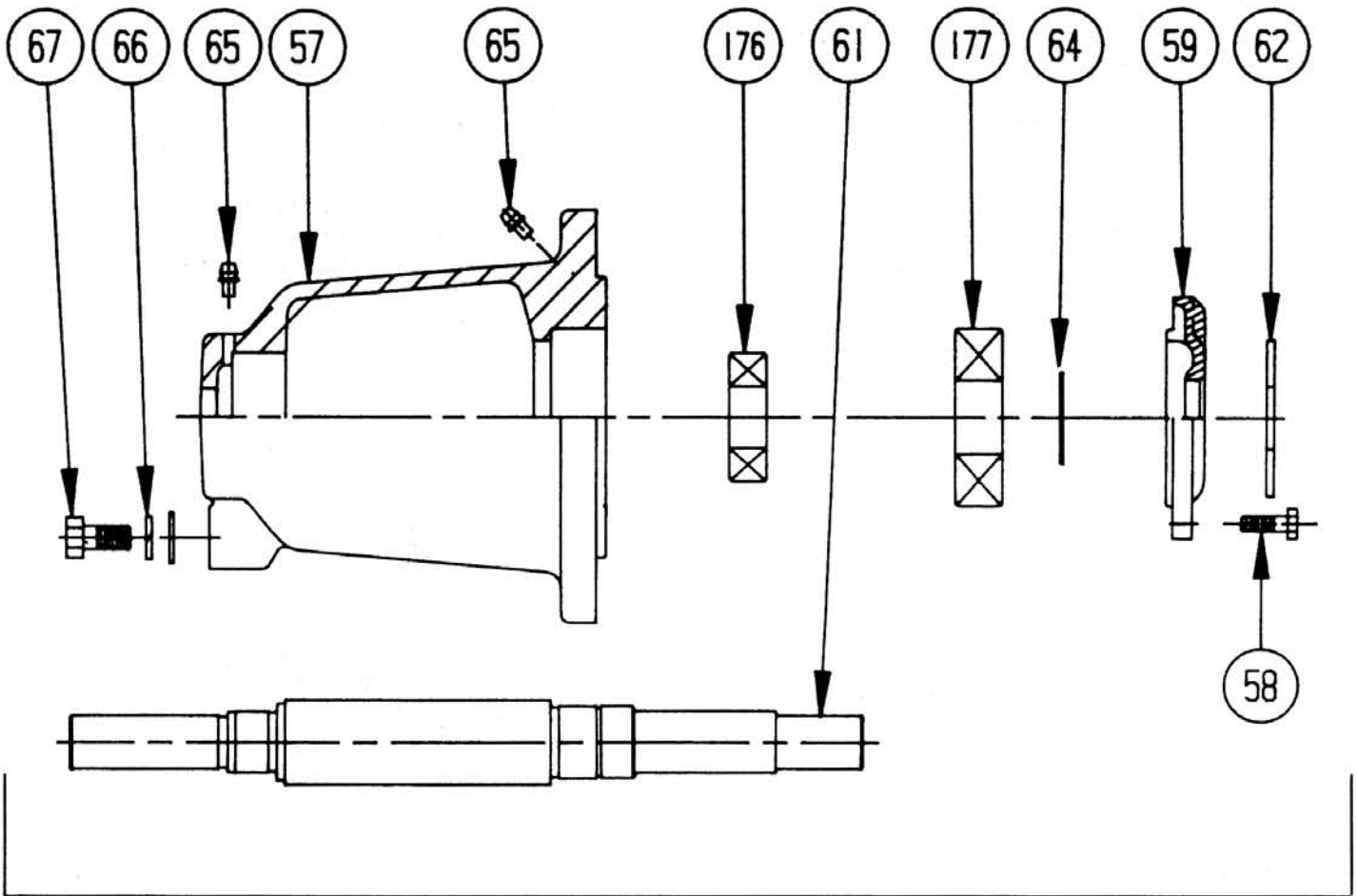




# FRAME PARTS

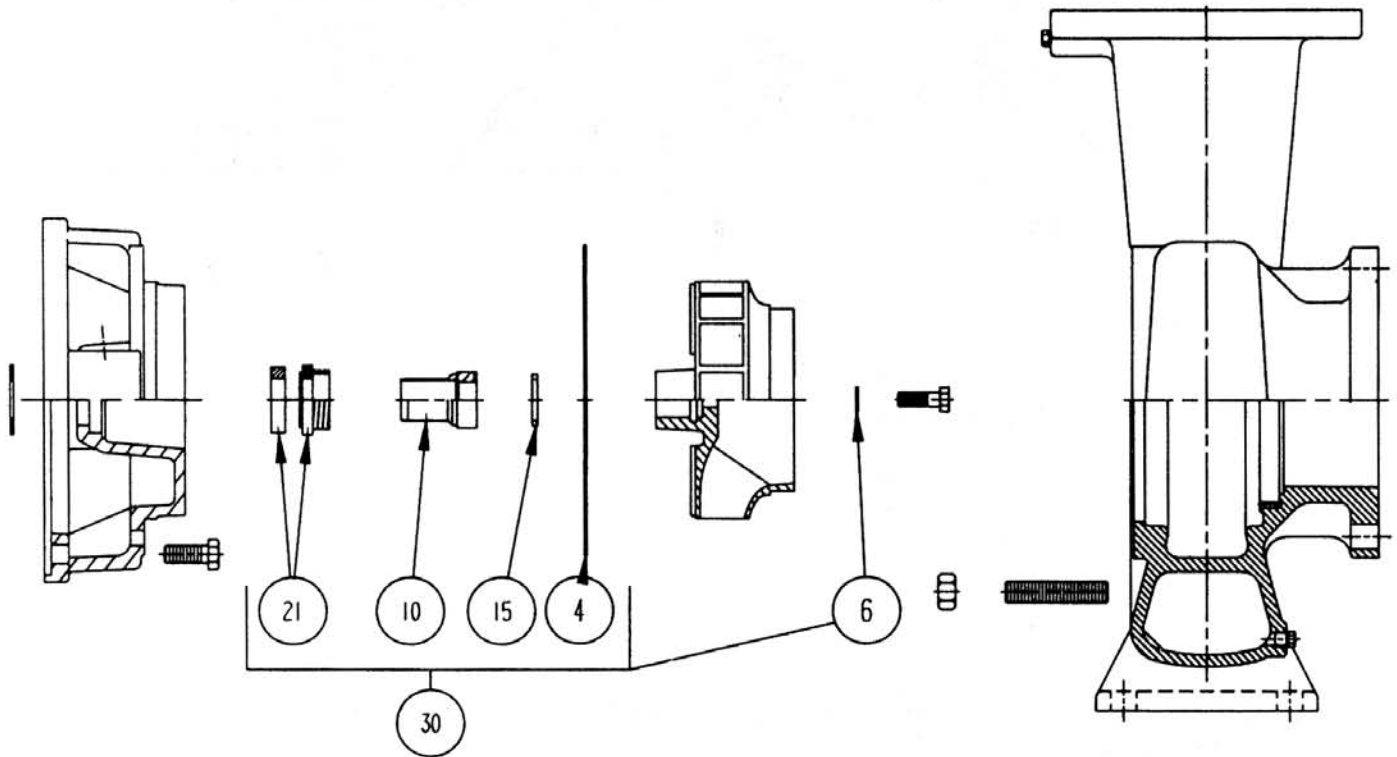


72

## FRAME PARTS FOR "E" SIZE PUMP

ITEM NO.	NO. REQ.	DESCRIPTION	PART NO.	REMARKS
72	1	FRAME ASSEMBLY (CS)	951-2481RP	CARBON STEEL SHAFT
72	1	FRAME ASSEMBLY (SS)	951-2952RP	STAINLESS STEEL SHAFT
57	1	FRAME	N/A	
58	4	HEX HD. SCREWS	HARDWARE	
59	1	BEARING COVER	951-2402RP	
176	1	BALL BEARING	951-2482RP	
177	1	BALL BEARING	820-067RP	
61	1	SHAFT (CS)	951-2396RP	CARBON STEEL
61	1	SHAFT (SS)	951-2949RP	STAINLESS STEEL
62	1	DEFLECTOR	N/A	
64	1	RETAINING RING	15-125RP	
65	2	GREASE FITTING	15-203RP	
66	1	WASHER	HARDWARE	
67	1	BOLT	HARDWARE	

# MECHANICAL SEAL DESIGN

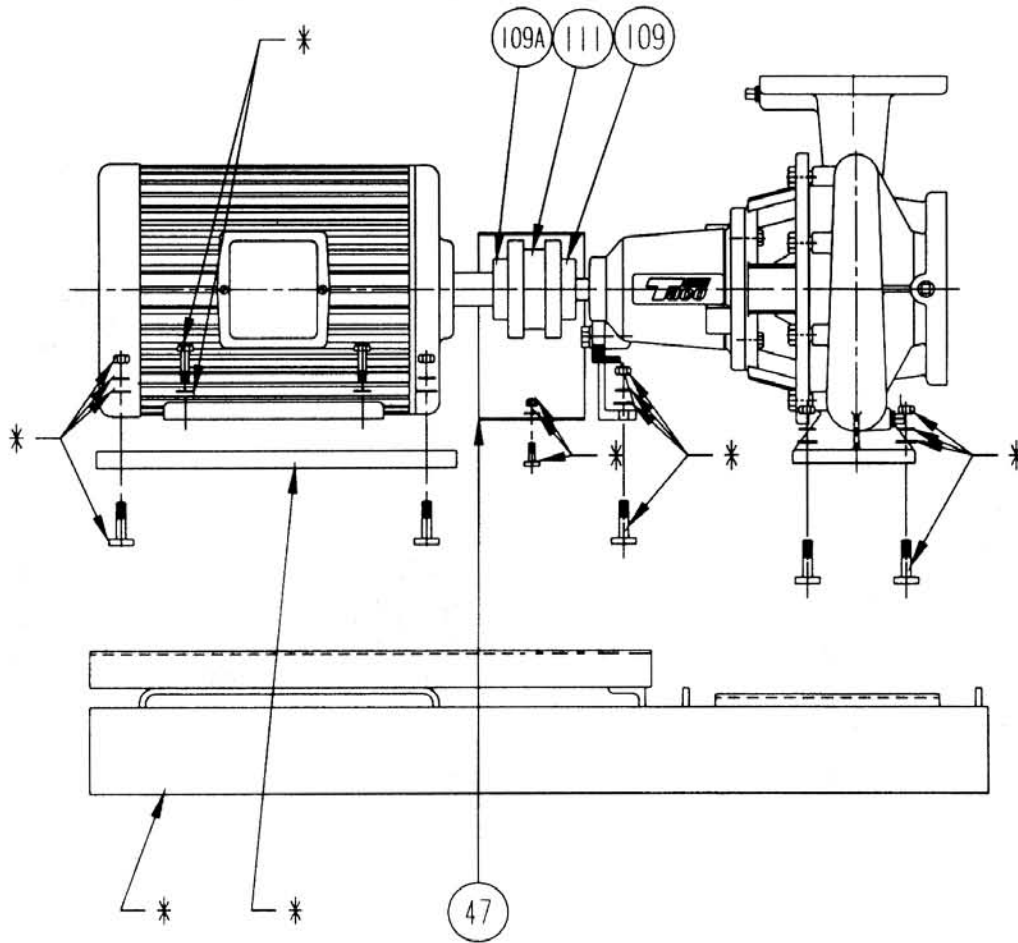


## TYPE "E" STANDARD, TYPE "D" HI TEMP

ITEM NO.	NO. REQ.	DESCRIPTION	SEAL DESIGN	
			TYPE "E"	TYPE "D"
4	1	GASKET	SEE PAGE 1	
6	1	IMPELLER WASHER	951-2578RP	
10	1	SLEEVE (SS)	951-3034RP	
10	1	SLEEVE (BRZ)	951-3034BRP	
15	1	SLEEVE GASKET	951-3041RP	
30	1	SEAL KIT	951-3161SRP	951-3159SRP
30	1	SEAL KIT	951-3161BRP	951-3159BRP
21	1	WATER SEAL	951-3161RP	951-3159RP

SEAL KIT INCLUDES ITEMS NUMBER 4, 6, 10, 15 & 21.

# MOTOR PARTS



**\*SEE FE BASE HARDWARE SPREAD SHEET FOR ALL PUMPS**

FOR FE PUMPS NO. 1206			MOTOR FRAME SIZE (NEMA STD.) "T"					
ITEM NO.	NO. REQ.	DESCRIPTION	56	143T	145T	182T	184T	
			47	1	COUPL. GUARD	951-3074RP		951-3075RP
109	1	PUMP COUPL. HALF	900-322RP					
109A	1	MTR. COUPL. HALF	900-321RP	900-322RP		900-324RP		
111	1	COUPL. INSERT	900-512RP					

FOR FE PUMPS NO. 1506			MOTOR FRAME SIZE (NEMA STD.) "T"							
ITEM NO.	NO. REQ.	DESCRIPTION	56	143T	145T	182T	184T	213T	215T	
			47	1	COUPL. GUARD	951-3074RP			951-3076RP	
109	1	PUMP COUPL. HALF	900-322RP						900-325RP	
109A	1	MTR. COUPL. HALF	900-321RP	900-322RP		900-324RP		900-328RP		
111	1	COUPL. INSERT	900-512RP						900-513RP	

FOR FE PUMPS NO. 2006			MOTOR FRAME SIZE (NEMA STD.) "T"							
ITEM NO.	NO. REQ.	DESCRIPTION	56	143T	145T	182T	184T	213T	215T	
			47	1	COUPL. GUARD	951-3074RP			951-3076RP	
109	1	PUMP COUPL. HALF	900-322RP						900-325RP	
109A	1	MTR. COUPL. HALF	900-321RP	900-322RP		900-324RP		900-328RP		
111	1	COUPL. INSERT	900-512RP						900-513RP	

**Do it Once. Do it Right.®**

TACO INC., 1160 Cranston Street, Cranston, RI 02920 Telephone: (401) 942-8000 Fax: 942-2360  
 TACO (Canada), Ltd., 6180 Ordan Drive, Mississauga, Ontario L5T 2B3 Telephone: (905) 564-9422 Fax: (905) 564-9436

Visit our website at: [www.taco-hvac.com](http://www.taco-hvac.com)

Printed in USA  
 Copyright 2007  
 TACO, Inc.