



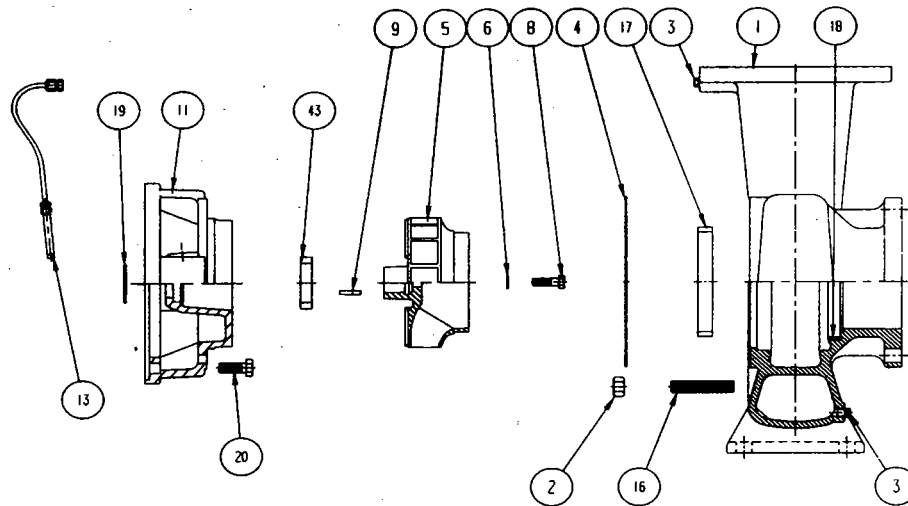
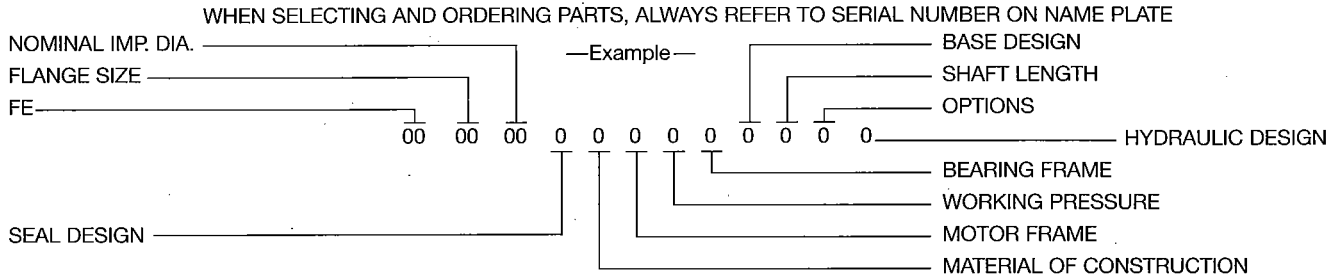
# Replacement Parts List

304-304

## FE 1210, 1510 & 2010

SUPERSEDES: 304-304 November 1, 1993

EFFECTIVE: April 15, 1995



ITEM NO.	NO. REQ.	DESCRIPTION	1210	1510	2010
1	1	CASING	950-1013RP	950-1014RP	950-1015RP
2	8	NUT	HARDWARE	HARDWARE	HARDWARE
3	2	SQ. HEAD PLUG	HARDWARE	HARDWARE	HARDWARE
4	1	GASKET	950-119RP	950-119RP	950-119RP
5	1	IMPELLER (CI)	950-1074RP	950-1075RP	950-1076RP
5	1	IMPELLER (BRZ)	950-1074BRP	950-1075BRP	950-1076BRP
6	1	IMPELLER WASHER	951-2579RP	951-2579RP	951-2579RP
8	1	IMPELLER BOLT (SS)	HARDWARE	HARDWARE	HARDWARE
9	1	IMPELLER KEY (SS)	HARDWARE	HARDWARE	HARDWARE
11	1	COVER	951-2304RP	951-2304RP	951-2304RP
13	1	TUBE FITTING KIT	951-247RP	951-247RP	951-247RP
16	8	STUD	950-1305RP	950-1305RP	950-1305RP
17	1	WEAR RING (CI)	950-1164RP	950-1165RP	950-1166RP
17	1	WEAR RING (BRZ)	950-1164BRP	950-1165BRP	950-1166BRP
18	1	DOWEL PIN	N/A	N/A	N/A
20	1	BOLT		HARDWARE	
43	1	COVER WEAR RING (CI)	N/A	N/A	N/A
43	1	COVER WEAR RING (BRZ)	N/A	N/A	N/A

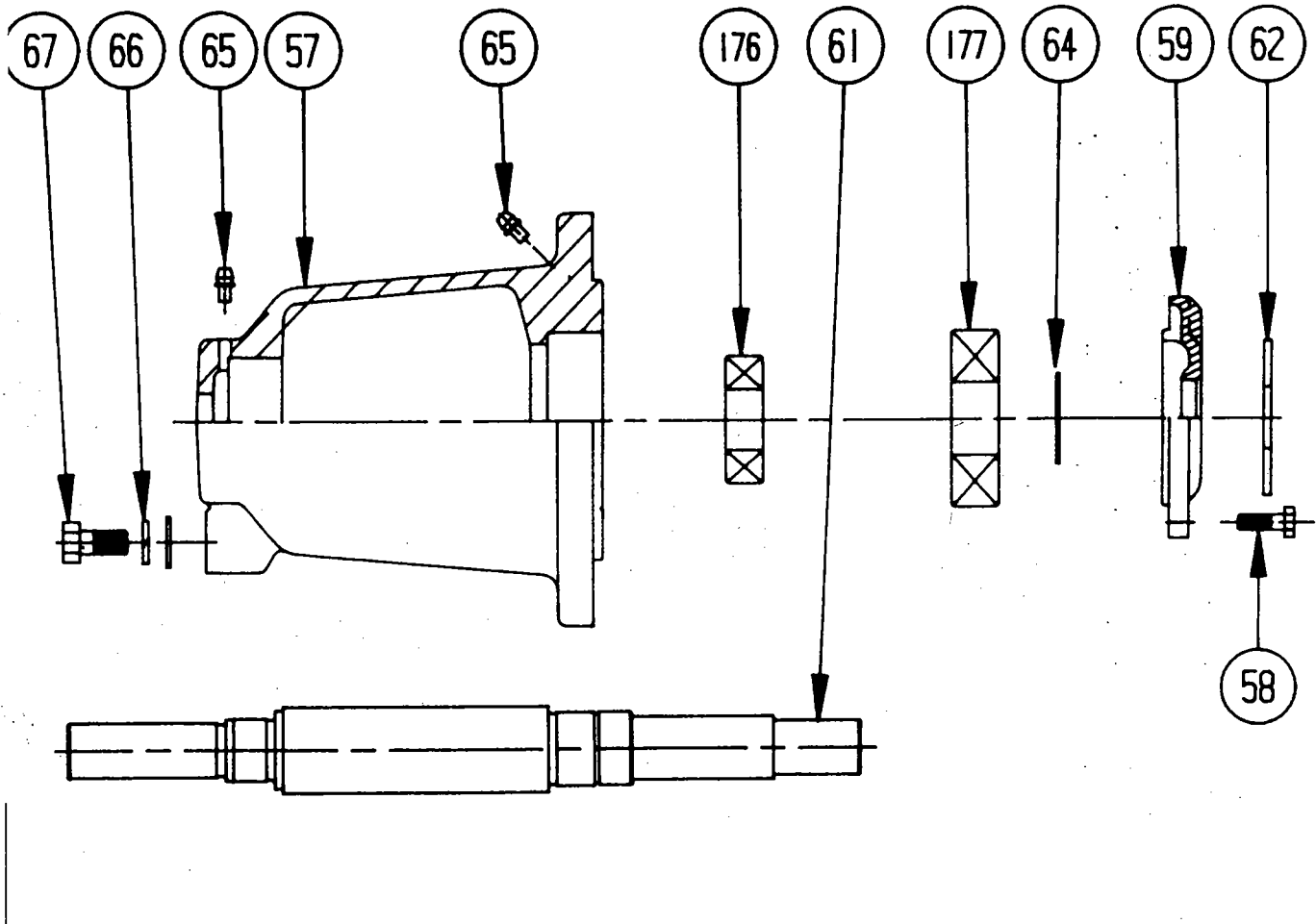
### COMPARE. YOU'LL TAKE TACO.

TACO, INC., 1160 Cranston Street, Cranston, RI 02920 Telephone: (401) 942-8000 FAX: (401) 942-2360.

TACO (Canada), Ltd., 6180 Ordan Drive, Mississauga, Ontario L5T 2B3. Telephone: 905/564-9422. FAX: 905/564-9436.

Printed in USA  
 Copyright 1995  
 TACO, Inc.

# FRAME PARTS

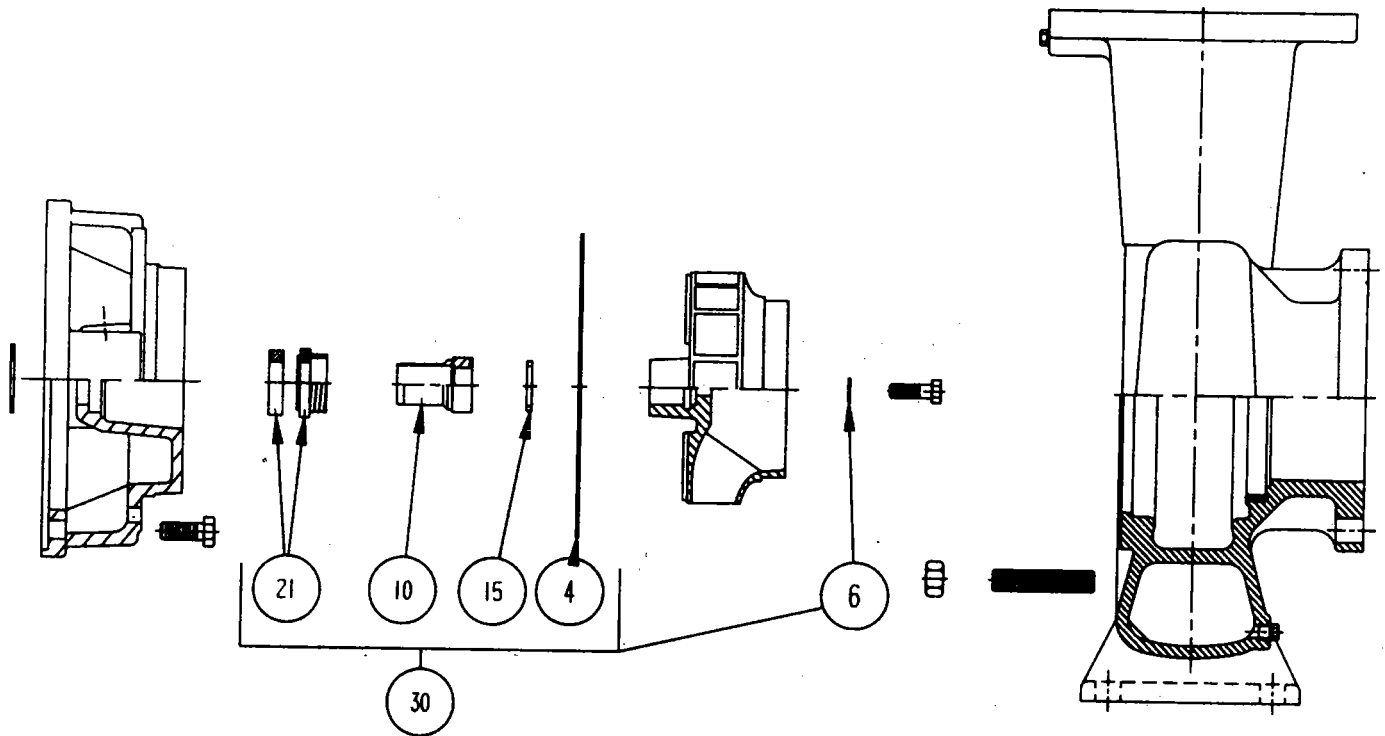


72

## FRAME PARTS FOR "F" SIZE PUMP

ITEM NO.	NO. REQ.	DESCRIPTION	PART NO.	REMARKS
72	1	FRAME ASSEMBLY (CS)	951-2493RP	CARBON STEEL SHAFT
72	1	FRAME ASSEMBLY (SS)	951-2953RP	STAINLESS STEEL SHAFT
57	1	FRAME	N/A	
58	4	HEX HD. SCREWS	HARDWARE	
59	1	BEARING COVER	951-2405RP	
176	1	BALL BEARING	951-2491RP	
177	1	BALL BEARING	950-963RP	
61	1	SHAFT (CS)	951-2407RP	CARBON STEEL
61	1	SHAFT (SS)	951-2950RP	STAINLESS STEEL
62	1	DEFLECTOR	N/A	
64	1	RETAINING RING	15-140RP	
65	2	GREASE FITTING	15-203RP	
66	1	WASHER	HARDWARE	
67	1	BOLT	HARDWARE	

# MECHANICAL SEAL DESIGN

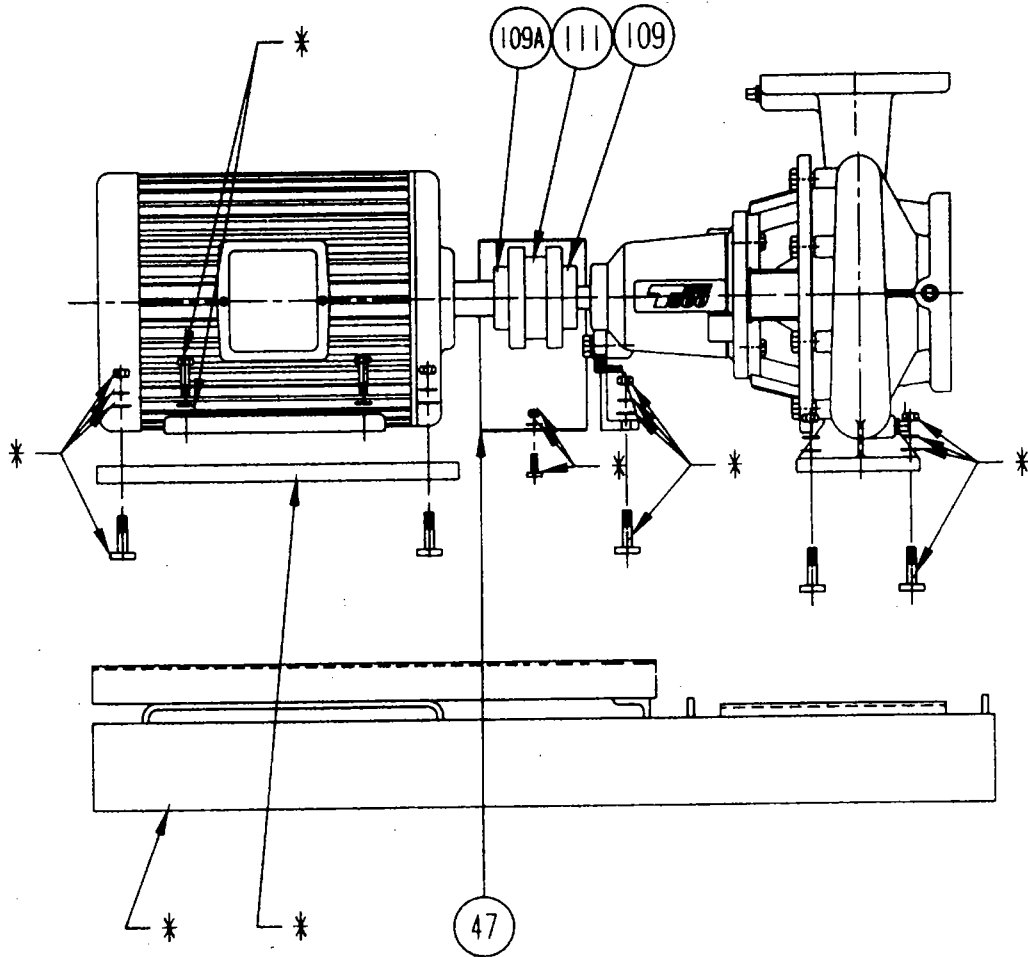


## TYPE "E" STANDARD, TYPE "D" HI TEMP

ITEM NO.	NO. REQ.	DESCRIPTION	SEAL DESIGN	
			TYPE "E"	TYPE "D"
4	1	GASKET	SEE PAGE 1	
6	1	IMPELLER WASHER	951-2579RP	
10	1	SLEEVE (SS)	951-3035RP	
10	1	SLEEVE (BRZ)	951-3035BRP	
15	1	SLEEVE GASKET	951-3042RP	
30	1	SEAL KIT	951-3162SRP	951-3160SRP
30	1	SEAL KIT	951-3162BRP	951-3160BRP
21	1	WATER SEAL	951-3162RP	951-3160RP

SEAL KIT INCLUDES ITEMS NUMBER 4, 6, 10, 15 & 21.

# MOTOR PARTS



**\*SEE FE BASE HARDWARE SPREAD SHEET FOR ALL PUMPS**

FOR FE PUMPS NO. 1210			MOTOR FRAME SIZE (NEMA STD.) "T"								
ITEM NO.	NO. REQ.	DESCRIPTION	56	143T	145T	182T	184T	213T	215T	254T	256T
47	1	COUPL. GUARD				951-3076RP					
109	1	PUMP COUPL. HALF				900-328RP					
109A	1	MTR. COUPL. HALF				900-327RP					
111	1	COUPL. INSERT				900-513RP					

FOR FE PUMPS NO. 1510			MOTOR FRAME SIZE (NEMA STD.) "T"								
ITEM NO.	NO. REQ.	DESCRIPTION	56	143T	145T	182T	184T	213T	215T	254T	256T
47	1	COUPL. GUARD				951-3076RP					
109	1	PUMP COUPL. HALF				900-328RP					
109A	1	MTR. COUPL. HALF			900-325RP	900-327RP		900-328RP			
111	1	COUPL. INSERT				900-513RP					

FOR FE PUMPS NO. 2010			MOTOR FRAME SIZE (NEMA STD.) "T"								
ITEM NO.	NO. REQ.	DESCRIPTION	56	143T	145T	182T	184T	213T	215T	254T	256T
47	1	COUPL. GUARD				951-3076RP					
109	1	PUMP COUPL. HALF				900-328RP					
109A	1	MTR. COUPL. HALF			900-325RP	900-327RP		900-328RP			
111	1	COUPL. INSERT				900-513RP					