



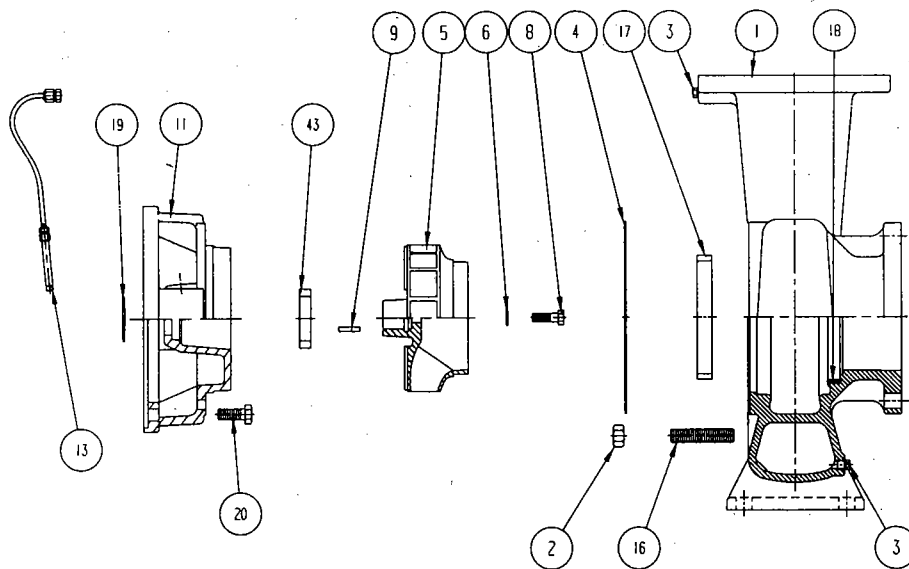
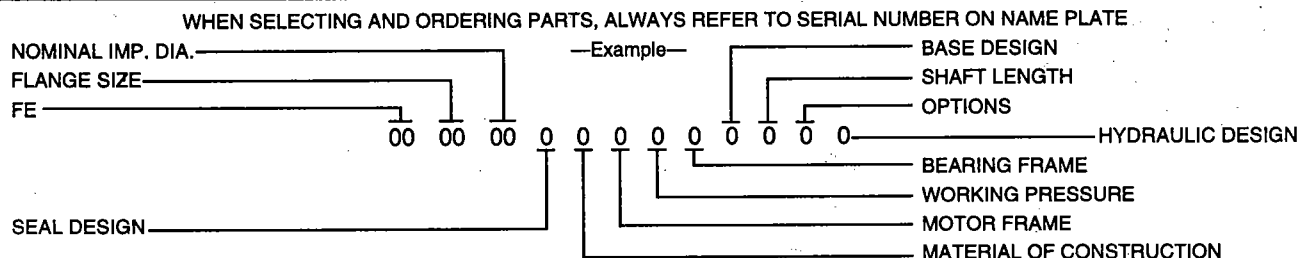
# Replacement Parts List

304-301

## FE 2506, 1207 & 1507

SUPERSEDES: NEW

EFFECTIVE: NOVEMBER 1, 1993



ITEM NO.	NO. REQ.	DESCRIPTION	2506	1207	1507
1	1	CASING	950-1003RP	950-1004RP	950-1005RP
2	8	NUT	HARDWARE	HARDWARE	HARDWARE
3	2	SQ. HEAD PLUG	HARDWARE	HARDWARE	HARDWARE
4	1	GASKET	950-021RP	950-022RP	950-022RP
5	1	IMPELLER (CI)	950-1064RP	950-1065RP	950-1066RP
5	1	IMPELLER (BRZ)	950-1064BRP	950-1065BRP	950-1066BRP
6	1	IMPELLER WASHER	951-2578RP	951-2578RP	951-2578RP
8	1	IMPELLER BOLT (SS)	HARDWARE	HARDWARE	HARDWARE
9	1	IMPELLER KEY (SS)	HARDWARE	HARDWARE	HARDWARE
11	1	COVER	951-2277RP	951-2278RP	951-2278RP
13	1	TUBE FITTING KIT	951-247RP	951-247RP	951-247RP
16	8	STUD	16-508RP	950-1158RP	950-1158RP
17	1	WEAR RING (CI)	950-1166RP	950-1163RP	950-1164RP
17	1	WEAR RING (BRZ)	950-1166BRP	950-1163BRP	950-1164BRP
18	1	DOWEL PIN	N/A	N/A	N/A
20	1	BOLT		HARDWARE	
43	1	COVER WEAR RING (CI)	N/A	N/A	N/A
43	1	COVER WEAR RING (BRZ)	N/A	N/A	N/A

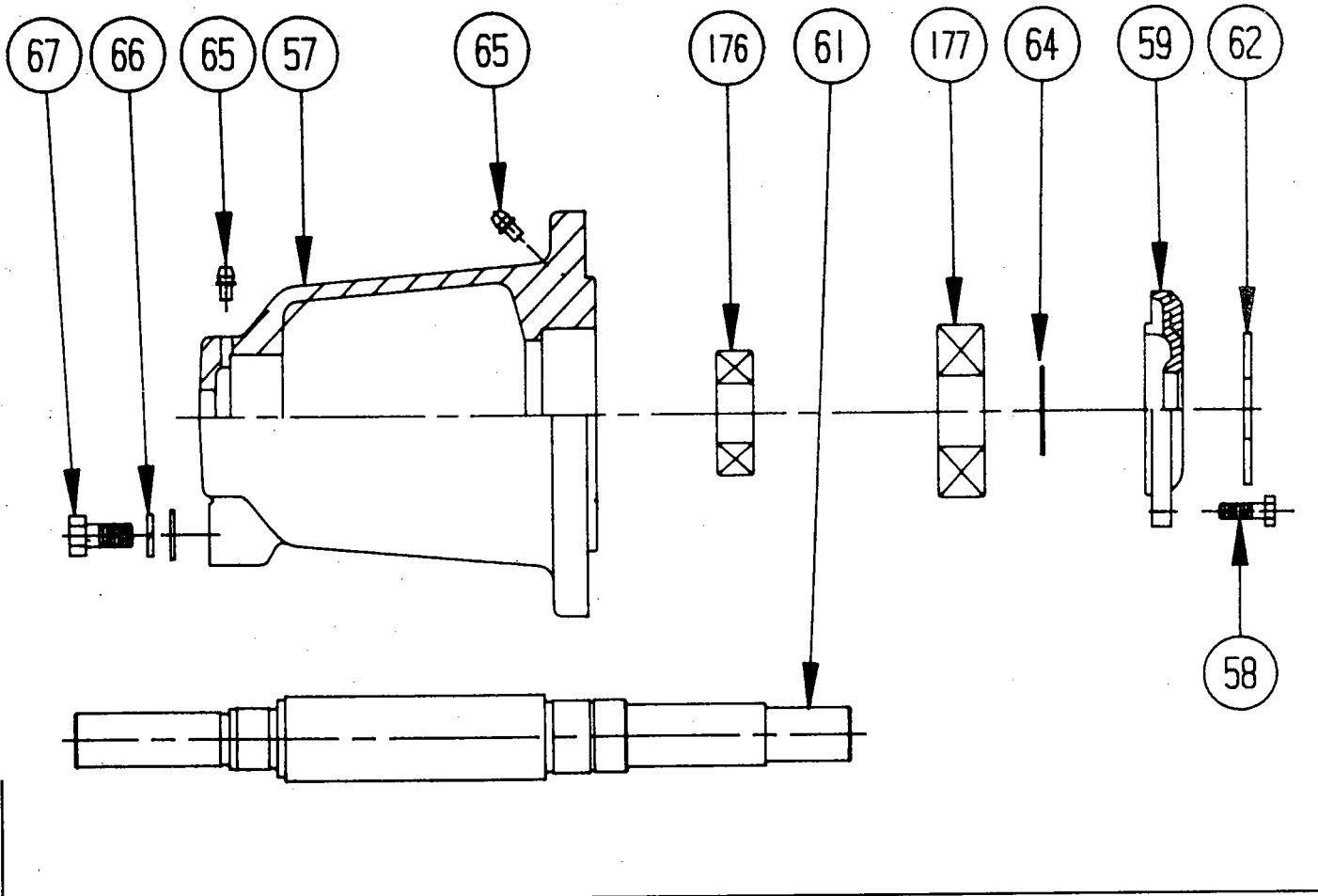
**COMPARE. YOU'LL TAKE TACO.**

TACO, INC., 1160 Cranston Street, Cranston, RI 02920 (401) 942-8000 FAX: (401) 942-2360.

Printed in USA

TACO (CANADA) LTD., 6180 Ordan Drive, Mississauga, Ontario L5T 2B3 (905) 564-9422 FAX: (905) 564-9436

# FRAME PARTS

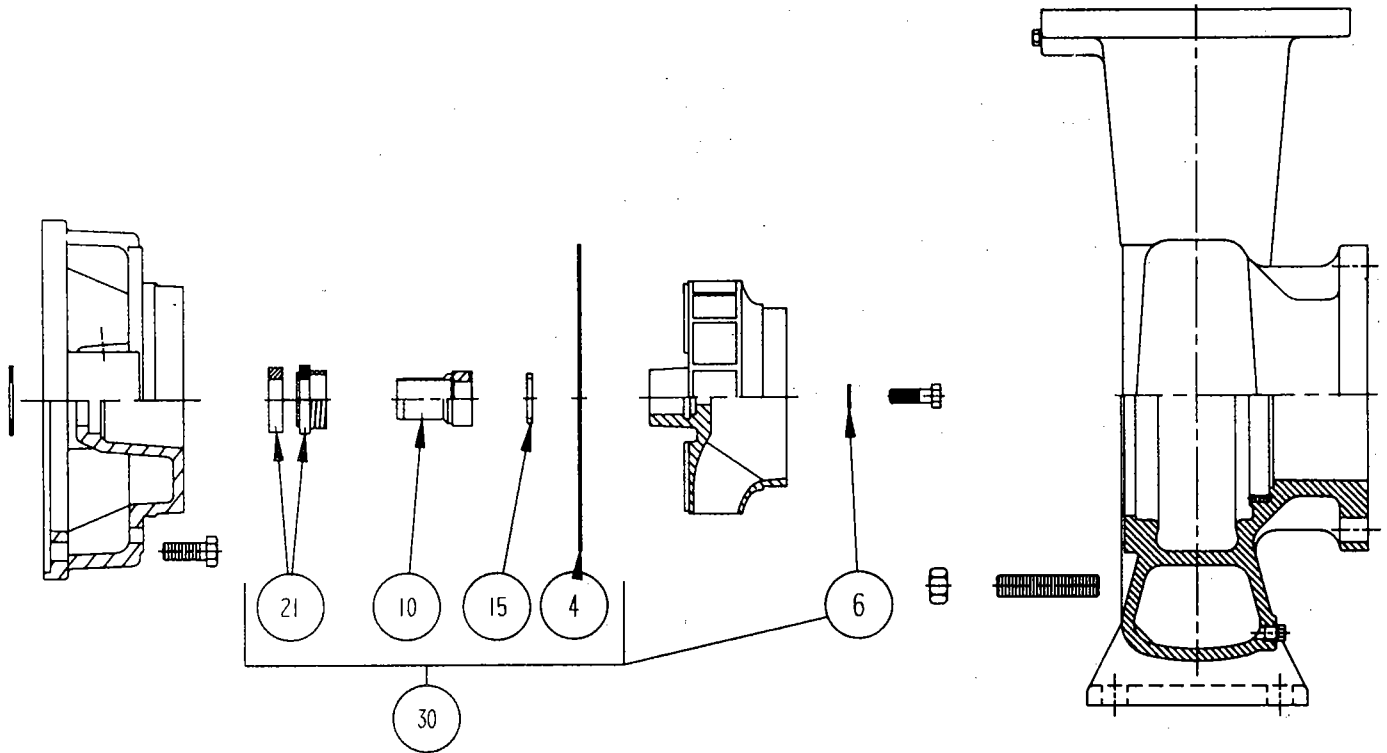


72

## FRAME PARTS FOR "E" SIZE PUMP

ITEM NO.	NO. REQ.	DESCRIPTION	PART NO.	REMARKS
72	1	FRAME ASSEMBLY (CS)	951-2481RP	CARBON STEEL SHAFT
72	1	FRAME ASSEMBLY (SS)	951-2952RP	STAINLESS STEEL SHAFT
57	1	FRAME	N/A	
58	4	HEX HD. SCREWS	HARDWARE	
59	1	BEARING COVER	951-2402RP	
176	1	BALL BEARING	951-2482RP	
177	1	BALL BEARING	820-067RP	
61	1	SHAFT (CS)	951-2396RP	CARBON STEEL
61	1	SHAFT (SS)	951-2949RP	STAINLESS STEEL
62	1	DEFLECTOR	N/A	
64	1	RETAINING RING	15-125RP	
65	2	GREASE FITTING	15-203RP	
66	1	WASHER	HARDWARE	
67	1	BOLT	HARDWARE	

# MECHANICAL SEAL DESIGN

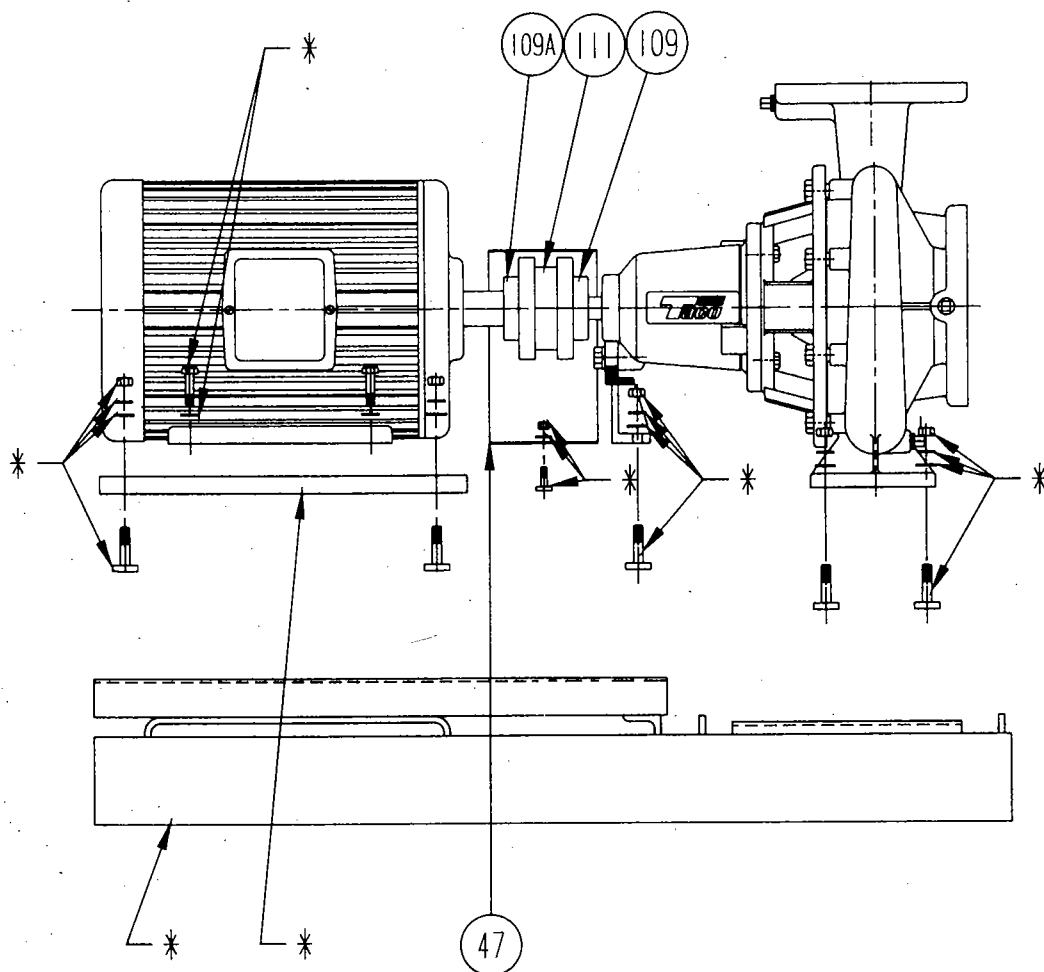


## TYPE "E" STANDARD, TYPE "D" HI TEMP

ITEM NO.	NO. REQ.	DESCRIPTION	SEAL DESIGN	
			TYPE "E"	TYPE "D"
4	1	GASKET	SEE PAGE 1	
6	1	IMPELLER WASHER	951-2578RP	
10	1	SLEEVE (SS)	951-3034RP	
10	1	SLEEVE (BRZ)	951-3034BRP	
15	1	SLEEVE GASKET	951-3041RP	
30	1	SEAL KIT	951-3161SRP	951-3159SRP
30	1	SEAL KIT	951-3161BRP	951-3159BRP
21	1	WATER SEAL	951-3161RP	951-3159RP

SEAL KIT INCLUDES ITEMS NUMBER 4, 6, 10, 15 & 21.

# MOTOR PARTS



\*SEE FE BASE HARDWARE SPREAD SHEET FOR ALL PUMPS

FOR FE PUMPS NO. 2506											
ITEM NO.	NO. REQ.	DESCRIPTION	MOTOR FRAME SIZE (NEMA STD.) "T"								
			56	143T	145T	182T	184T	213T	215T	254T	256T
47	1	COUPL. GUARD	951-3075RP				951-3077RP				
109	1	PUMP COUPL. HALF	900-322RP				900-325RP				
109A	1	MTR. COUPL. HALF	900-322RP	900-324RP	900-327RP	900-328RP	900-367RP				
111	1	COUPL. INSERT	900-512RP				900-513RP				

FOR FE PUMPS NO. 1207											
ITEM NO.	NO. REQ.	DESCRIPTION	MOTOR FRAME SIZE (NEMA STD.) "T"								
			56	143T	145T	182T	184T	213T	215T	254T	256T
47	1	COUPL. GUARD	951-3074P				951-3076RP				
109	1	PUMP COUPL. HALF	900-322RP				900-325RP				
109A	1	MTR. COUPL. HALF	900-321RP	900-322RP	900-324RP	900-328RP					
111	1	COUPL. INSERT	900-512RP				900-513RP				

FOR FE PUMPS NO. 1507											
ITEM NO.	NO. REQ.	DESCRIPTION	MOTOR FRAME SIZE (NEMA STD.) "T"								
			56	143T	145T	182T	184T	213T	215T	254T	256T
47	1	COUPL. GUARD	951-3074RP				951-3076RP				
109	1	PUMP COUPL. HALF	900-322RP				900-325RP				
109A	1	MTR. COUPL. HALF	900-321RP	900-322RP	900-324RP	900-328RP					
111	1	COUPL. INSERT	900-512RP				900-513RP				