



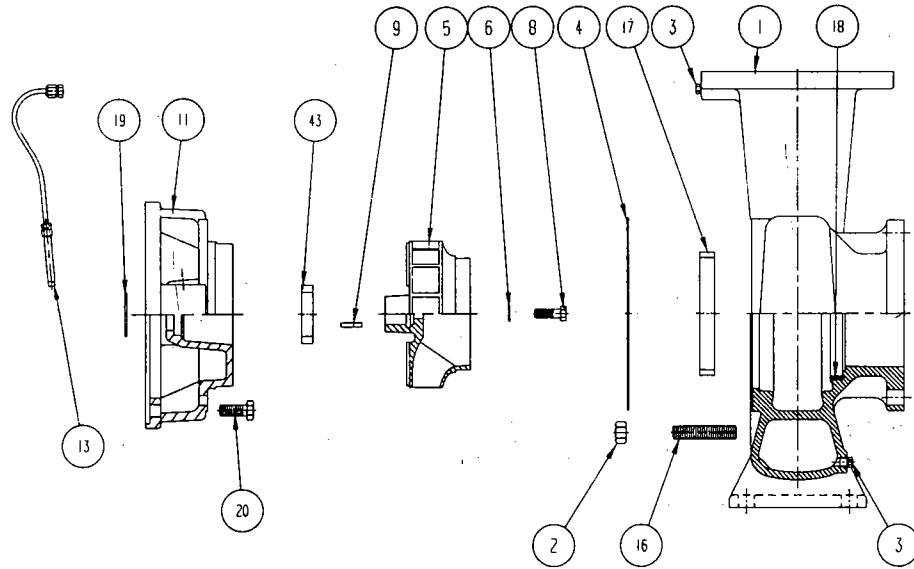
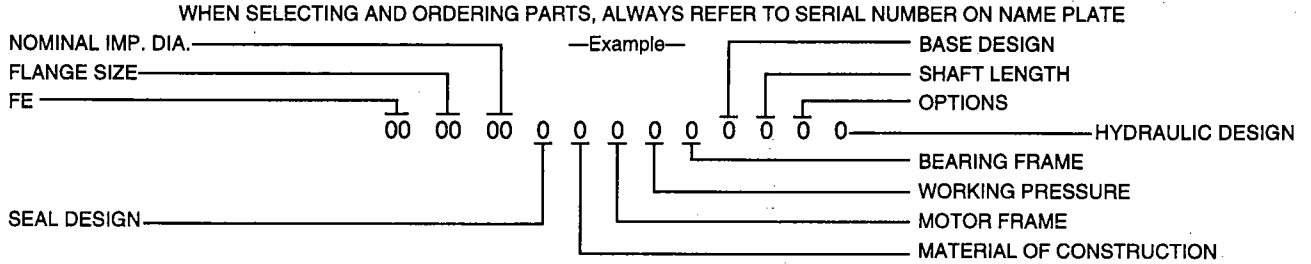
# Replacement Parts List

304-303

## FE 2507, 3007, 2008 & 2508

SUPERSEDES: NEW

EFFECTIVE: NOVEMBER 1, 1993



ITEM NO.	NO. REQ.	DESCRIPTION	2507	3007	2008	2508	
1	1	CASING	950-1009RP	950-1010RP	950-1011RP	950-1012RP	
2	8	NUT	HARDWARE	HARDWARE	HARDWARE	HARDWARE	
3	2	SQ. HEAD PLUG	HARDWARE	HARDWARE	HARDWARE	HARDWARE	
4	1	GASKET	950-022RP	950-022RP	950-023RP	950-023RP	
5	1	IMPELLER (CI)	950-1070RP	950-1071RP	950-1072RP	950-1073RP	
5	1	IMPELLER (BRZ)	950-1070BRP	950-1071BRP	950-1072BRP	950-1073BRP	
6	1	IMPELLER WASHER	951-2579RP	951-2579RP	951-2579RP	951-2579RP	
8	1	IMPELLER BOLT (SS)	HARDWARE	HARDWARE	HARDWARE	HARDWARE	
9	1	IMPELLER KEY (SS)	HARDWARE	HARDWARE	HARDWARE	HARDWARE	
11	1	COVER	951-2282RP	951-2282RP	951-2289RP	951-2289RP	
13	1	TUBE FITTING KIT	951-247RP	951-247RP	951-247RP	951-247RP	
16	8	STUD	950-1158RP	950-1158RP	950-1159RP	950-1159RP	
17	1	WEAR RING (CI)	950-1166RP	950-1167RP	950-1165RP	950-1166RP	
17	1	WEAR RING (BRZ)	950-1166BRP	950-1167BRP	950-1165BRP	950-1166BRP	
18	1	DOWEL PIN	N/A	N/A	N/A	N/A	
20	1	BOLT		HARDWARE			
43	1	COVER WEAR RING (CI)	N/A	N/A	N/A	N/A	
43	1	COVER WEAR RING (BRZ)	N/A	N/A	N/A	N/A	

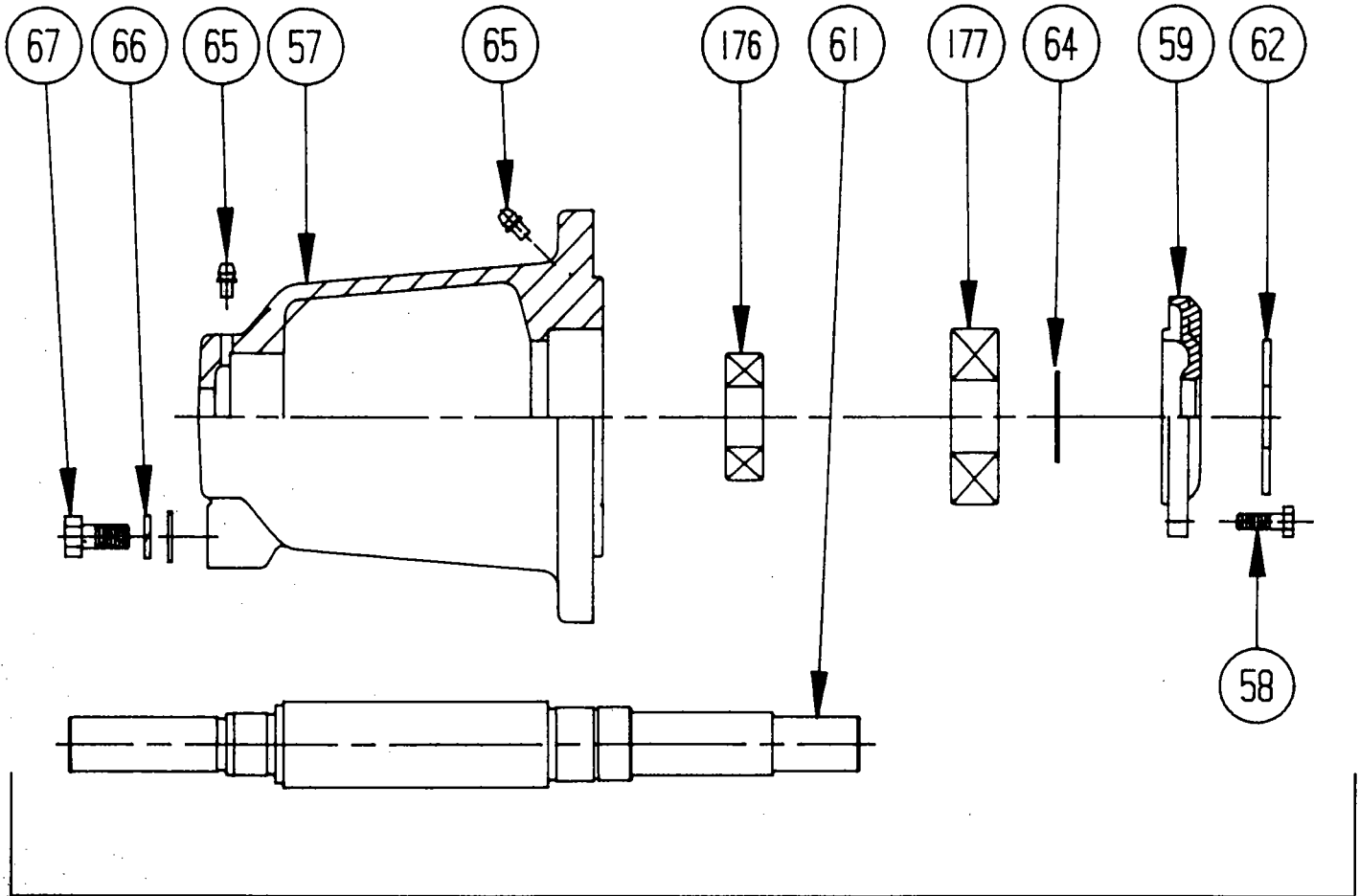
## COMPARE. YOU'LL TAKE TACO.

TACO, INC., 1160 Cranston Street, Cranston, RI 02920 (401) 942-8000 FAX: (401) 942-2360.

TACO (CANADA) LTD., 6180 Ordan Drive, Mississauga, Ontario L5T 2B3 (905) 564-9422 FAX: (905) 564-9436

Printed in USA

# FRAME PARTS

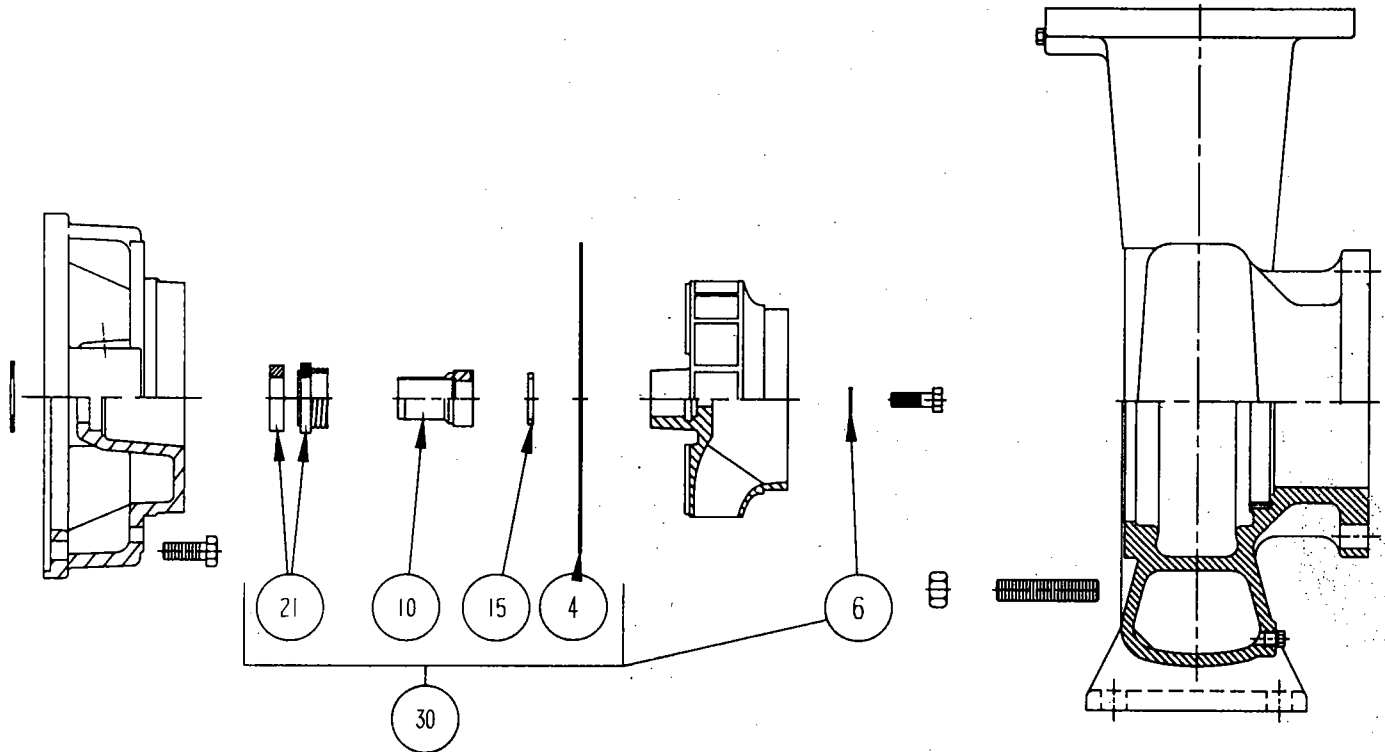


72

## FRAME PARTS FOR "F" SIZE PUMP

ITEM NO.	NO. REQ.	DESCRIPTION	PART NO.	REMARKS
72	1	FRAME ASSEMBLY (CS)	951-2493RP	CARBON STEEL SHAFT
72	1	FRAME ASSEMBLY (SS)	951-2953RP	STAINLESS STEEL SHAFT
57	1	FRAME	N/A	
58	4	HEX HD. SCREWS	HARDWARE	
59	1	BEARING COVER	951-2405RP	
176	1	BALL BEARING	951-2491RP	
177	1	BALL BEARING	950-963RP	
61	1	SHAFT (CS)	951-2407RP	CARBON STEEL
61	1	SHAFT (SS)	951-2950RP	STAINLESS STEEL
62	1	DEFLECTOR	N/A	
64	1	RETAINING RING	15-140RP	
65	2	GREASE FITTING	15-203RP	
66	1	WASHER	HARDWARE	
67	1	BOLT	HARDWARE	

# MECHANICAL SEAL DESIGN

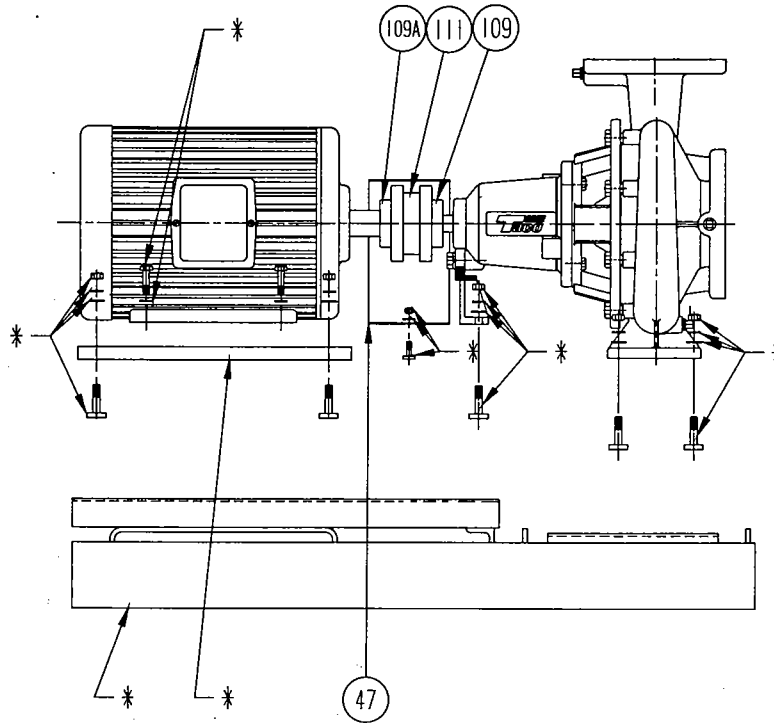


## TYPE "E" STANDARD, TYPE "D" HI TEMP

ITEM NO.	NO. REQ.	DESCRIPTION	SEAL DESIGN	
			TYPE "E"	TYPE "D"
4	1	GASKET	SEE PAGE 1	
6	1	IMPELLER WASHER	951-2579RP	
10	1	SLEEVE (SS)	951-3035RP	
10	1	SLEEVE (BRZ)	951-3035BRP	
15	1	SLEEVE GASKET	951-3042RP	
30	1	SEAL KIT	951-3162SRP	951-3160SRP
30	1	SEAL KIT	951-3162BRP	951-3160BRP
21	1	WATER SEAL	951-3162RP	951-3160RP

SEAL KIT INCLUDES ITEMS NUMBER 4, 6, 10, 15 & 21.

# MOTOR PARTS



\*SEE FE BASE HARDWARE SPREAD SHEET FOR ALL PUMPS

FOR FE PUMPS NO. 2507			MOTOR FRAME SIZE (NEMA STD.) "T"									
ITEM NO.	NO. REQ.	DESCRIPTION	143T	145T	182T	184T	213T	215T	254T	256T	284TS	286TS
47	1	COUPL. GUARD	951-3075RP				951-3078RP					
109	1	PUMP COUPL. HALF	900-328RP						900-364RP		900-427RP	
109A	1	MTR. COUPL. HALF	900-325RP	900-327RP	900-328RP			900-365RP		900-428RP		
111	1	COUPL. INSERT	900-513RP						900-514RP		900-515RP	

FOR FE PUMPS NO. 3007			MOTOR FRAME SIZE (NEMA STD.) "T"										
ITEM NO.	NO. REQ.	DESCRIPTION	145T	182T	184T	213T	215T	254T	256T	284TS	286TS	324TS	326TS
47	1	COUPL. GUARD	951-3076RP				951-3079RP						
109	1	PUMP COUPL. HALF	900-328RP						900-364RP		900-427RP		
109A	1	MTR. COUPL. HALF	900-325RP	900-327RP	900-328RP		951-367RP	900-365RP		900-428RP	900-437RP		
111	1	COUPL. INSERT	900-513RP						900-514RP		900-515RP		

FOR FE PUMPS NO. 2008			MOTOR FRAME SIZE (NEMA STD.) "T"									
ITEM NO.	NO. REQ.	DESCRIPTION	143T	145T	182T	184T	213T	215T	254T	256T	284TS	286TS
47	1	COUPL. GUARD	951-3075RP				951-3078RP					
109	1	PUMP COUPL. HALF	900-328RP						900-364RP		900-427RP	
109A	1	MTR. COUPL. HALF	900-325RP	900-327RP	900-328RP			900-365RP		900-428RP		
111	1	COUPL. INSERT	900-513RP						900-514RP		900-515RP	

FOR FE PUMPS NO. 2508			MOTOR FRAME SIZE (NEMA STD.) "T"										
ITEM NO.	NO. REQ.	DESCRIPTION	145T	182T	184T	213T	215T	254T	256T	284TS	286TS	324TS	326TS
47	1	COUPL. GUARD	951-3076RP				951-3079RP						
109	1	PUMP COUPL. HALF	900-328RP						900-364RP		900-427RP		
109A	1	MTR. COUPL. HALF	900-325RP	900-327RP	900-328RP		951-367RP	900-365RP		900-428RP	900-437RP		
111	1	COUPL. INSERT	900-513RP						900-514RP		900-515RP		