



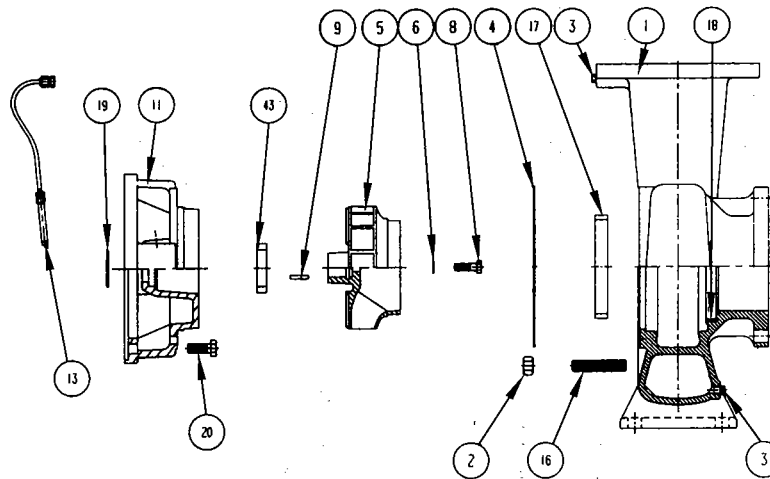
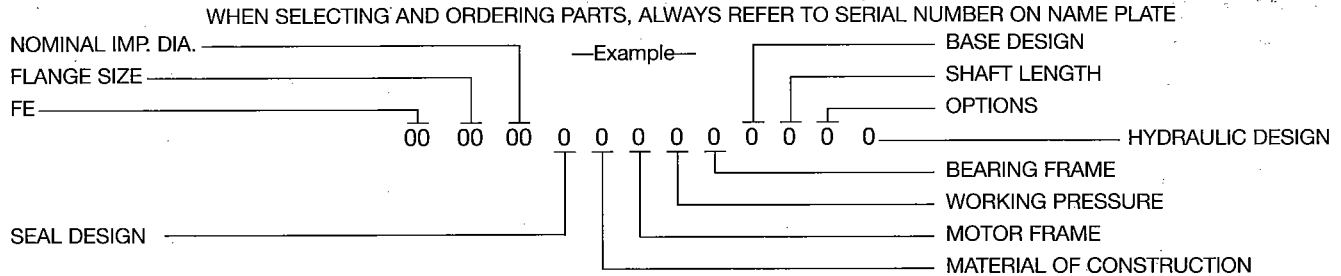
Replacement Parts List

304-307

FE 4013, 5013 & 6013

SUPERSEDES: NOVEMBER 1, 1993

EFFECTIVE: November 1, 1996



ITEM NO.	NO. REQ.	DESCRIPTION	4013	5013	6013
1	1	CASING	950-1024RP	950-1025RP	950-1026RP
2	8	NUT	HARDWARE	HARDWARE	HARDWARE
3	2	SQ. HEAD PLUG	HARDWARE	HARDWARE	HARDWARE
4	1	GASKET	950-077RP	950-077RP	950-077RP
5	1	IMPELLER (CI)	950-1085RP	950-1086RP	950-1087RP
5	1	IMPELLER (BRZ)	950-1085BRP	950-1086BRP	950-1087BRP
6	1	IMPELLER WASHER	951-2579RP	951-2579RP	951-2579RP
8	1	IMPELLER BOLT (SS)	HARDWARE	HARDWARE	HARDWARE
9	1	IMPELLER KEY (SS)	HARDWARE	HARDWARE	HARDWARE
11	1	COVER	951-4050RP	951-2428RP	951-4051RP
13	1	TUBE FITTING KIT	951-247RP	951-247RP	951-247RP
16	8	STUD	950-1159RP	950-1159RP	950-1159RP
17	1	WEAR RING (CI)	950-1168RP	950-1169RP	950-1171RP
17	1	WEAR RING (BRZ)	950-1168BRP	950-1169BRP	950-1171BRP
18	1	DOWEL PIN	N/A	N/A	N/A
20	1	BOLT		HARDWARE	
43	1	COVER WEAR RING (CI)	950-1186RP	950-1182RP	950-1171RP
43	1	COVER WEAR RING (BRZ)	950-1186BRP	950-1182BRP	950-1171BRP

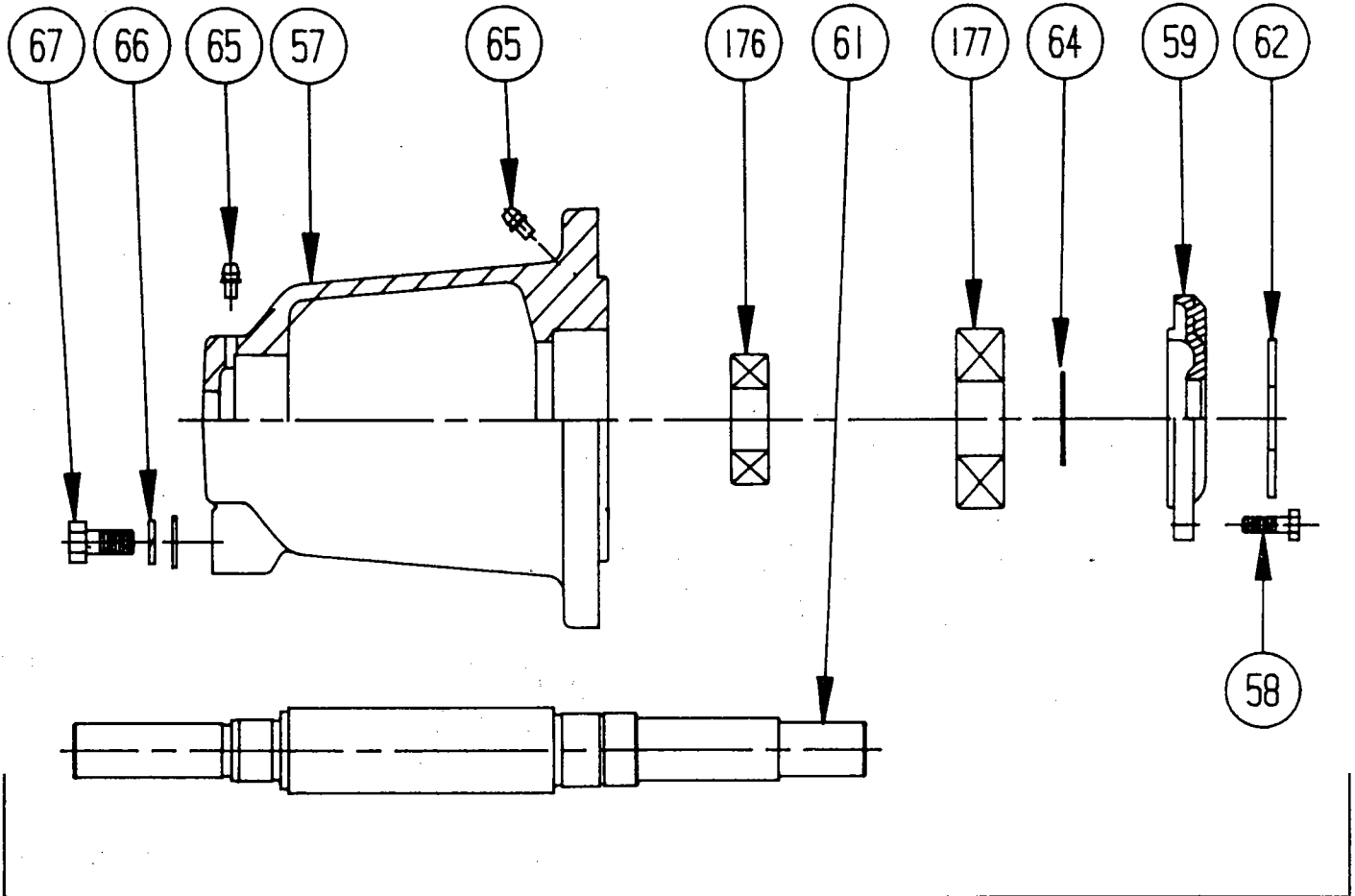
COMPARE. YOU'LL TAKE TACO.

TACO, INC., 1160 Cranston Street, Cranston, RI 02920 Telephone: (401) 942-8000 FAX: (401) 942-2360.

TACO (Canada), Ltd., 6180 Ordan Drive, Mississauga, Ontario L5T 2B3. Telephone: 905/564-9422. FAX: 905/564-9436.

Printed in USA
 Copyright 1996
 TACO, Inc.

FRAME PARTS

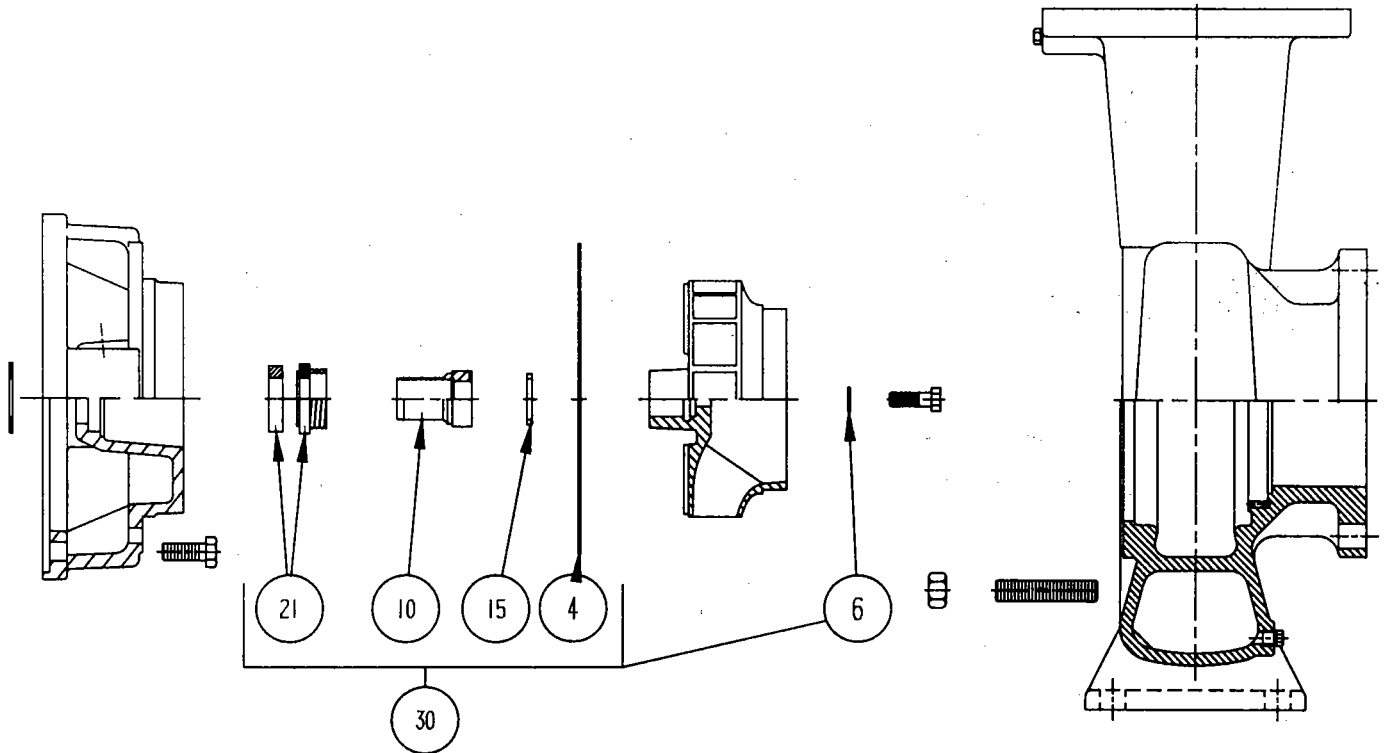


72

FRAME PARTS FOR "G" SIZE PUMP

ITEM NO.	NO. REQ.	DESCRIPTION	PART NO.	REMARKS
72	1	FRAME ASSEMBLY (CS)	951-2494RP	CARBON STEEL SHAFT
72	1	FRAME ASSEMBLY (SS)	951-2954RP	STAINLESS STEEL SHAFT
57	1	FRAME	N/A	
58	4	HEX HD. SCREWS	HARDWARE	
59	1	BEARING COVER	951-2406RP	
176	1	BALL BEARING	951-2491RP	
177	1	BALL BEARING	872-056RP	
61	1	SHAFT (CS)	951-2408RP	CARBON STEEL
61	1	SHAFT (SS)	951-2951RP	STAINLESS STEEL
62	1	DEFLECTOR	N/A	
64	1	RETAINING RING	15-141RP	
65	2	GREASE FITTING	15-203RP	
66	1	WASHER	HARDWARE	
67	1	BOLT	HARDWARE	

MECHANICAL SEAL DESIGN

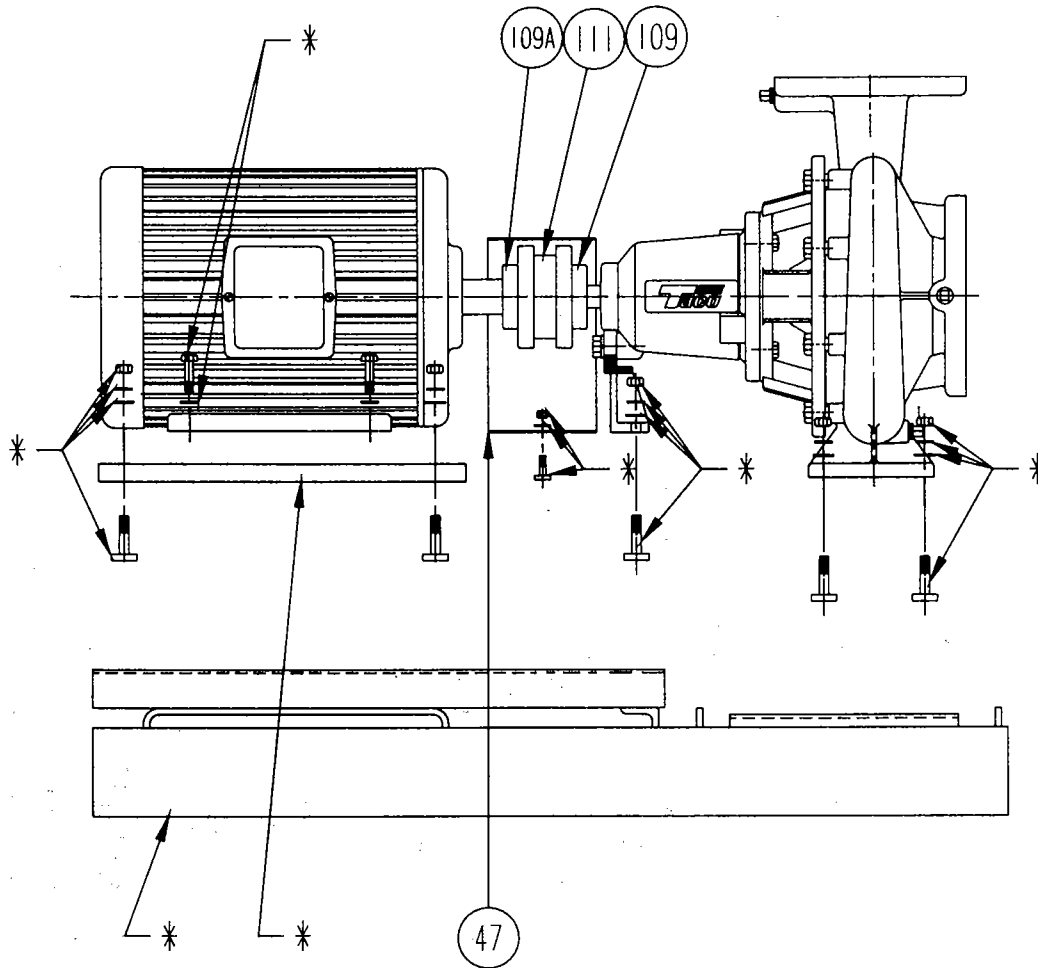


TYPE "E" STANDARD, TYPE "D" HI TEMP

ITEM NO.	NO. REQ.	DESCRIPTION	SEAL DESIGN	
			TYPE "E"	TYPE "D"
4	1	GASKET	SEE PAGE 1	
6	1	IMPELLER WASHER	951-2579RP	
10	1	SLEEVE (SS)	951-3037RP	
10	1	SLEEVE (BRZ)	951-3037BRP	
15	1	SLEEVE GASKET	951-3066RP	
30	1	SEAL KIT	951-2968SRP	951-2967SRP
30	1	SEAL KIT	951-2968BRP	951-2967BRP
21	1	WATER SEAL	951-2968RP	951-2967RP

SEAL KIT INCLUDES ITEMS NUMBER 4, 6, 10, 15 & 21.

MOTOR PARTS



*SEE FE BASE HARDWARE SPREAD SHEET FOR ALL PUMPS

FOR FE PUMPS NO. 4013													
ITEM NO.	NO. REQ.	DESCRIPTION	MOTOR FRAME SIZE (NEMA STD.) "T"										
			213T	215T	254T	256T	284T	286T	324T	326T	364T	365T	404T
47	1	COUPL. GUARD	951-3079RP										
109	1	PUMP COUPL. HALF	951-367RP	900-365RP	900-428RP		900-494RP						
109A	1	MTR. COUPL. HALF	951-364RP	900-365RP	900-428RP	900-437RP	900-495RP	900-497RP					
111	1	COUPL. INSERT	900-513RP	900-514RP	900-515RP		900-516RP						

FOR FE PUMPS NO. 5013														
ITEM NO.	NO. REQ.	DESCRIPTION	MOTOR FRAME SIZE (NEMA STD.) "T"											
			213T	215T	254T	256T	284T	286T	324T	326T	364T	365T	404T	405T
47	1	COUPL. GUARD	951-3078RP						951-3140RP					
109	1	PUMP COUPL. HALF		951-367RP	900-365RP	900-428RP		900-494RP		950-242RP				
109A	1	MTR. COUPL. HALF		951-364RP	900-365RP	900-428RP	900-437RP	900-495RP	900-497RP	900-505RP	900-532RP			
111	1	COUPL. INSERT		900-513RP	900-514RP	900-515RP		900-516RP		900-517RP				

FOR FE PUMPS NO. 6013														
ITEM NO.	NO. REQ.	DESCRIPTION	MOTOR FRAME SIZE (NEMA STD.) "T"											
			213T	215T	254T	256T	284T	286T	324T	326T	364T	365T	404T	405T
47	1	COUPL. GUARD	951-3078RP						951-3141RP					
109	1	PUMP COUPL. HALF			900-365RP	900-428RP		900-494RP		950-242RP		950-238RP		
109A	1	MTR. COUPL. HALF			900-365RP	900-428RP	900-437RP	900-495RP	900-497RP	900-505RP	900-532RP	950-248RP	950-239RP	
111	1	COUPL. INSERT			900-514RP	900-515RP		900-516RP		900-517RP		950-241RP		