



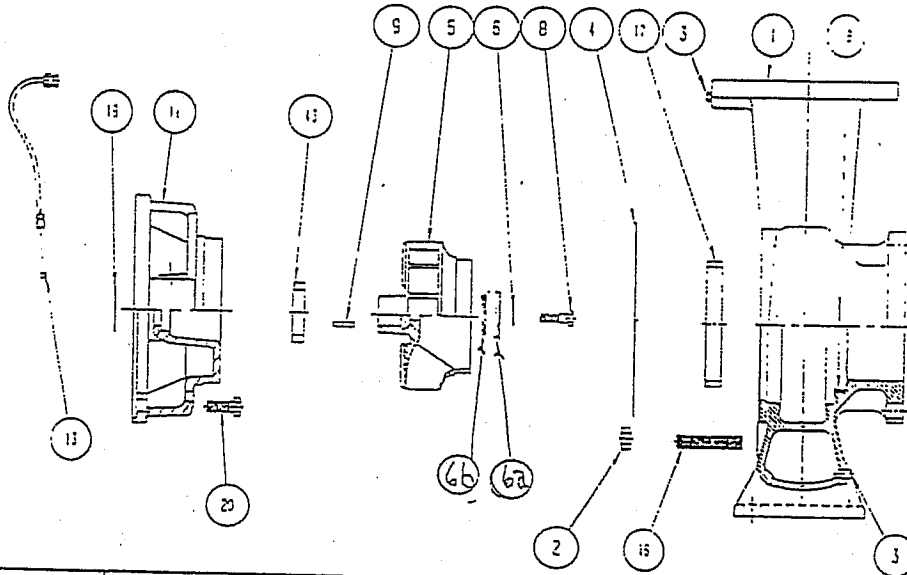
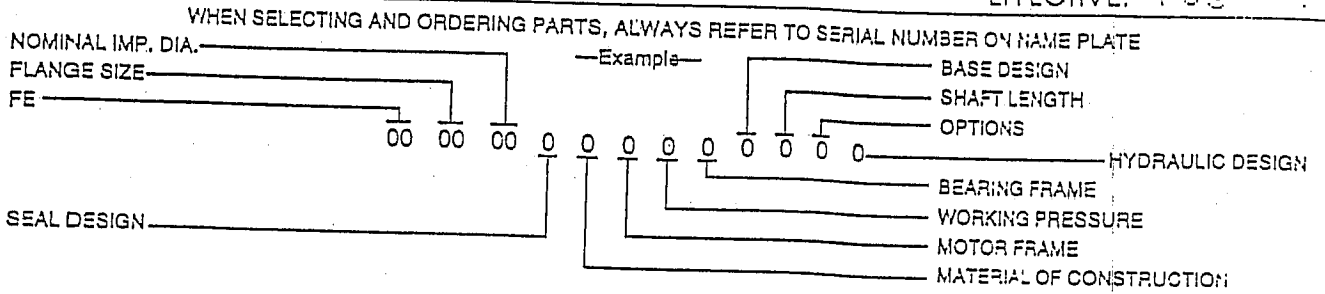
Replacement Parts List

304-

FE8010

SUPERSEDES: NEW

EFFECTIVE: AUG 88



ITEM NO.	NO. REQ.	DESCRIPTION	HYDRAULIC DESIGN "A"	HYDRAULIC DESIGN "B"
1	1	CASING		
3	2	SQ. HEAD PLUG	951-3017RP	951-3807RP
4	1	GASKET	HARDWARE	HARDWARE
5	1	IMPELLER	950-119	950-119
6	1	DOWTY WASHER	951-3039RP	951-4143RP
6a	1	IMPELLER WASHER	951-2579RP	951-2579RP
6b	1	IMPELLER WASHER "O" RING	N/A	953-1099RP
8	1	IMPELLER BOLT (SS)	N/A	951-5277
9	1	IMPELLER KEY(SS)	HARDWARE	HARDWARE
11	1	COVER	HARDWARE	HARDWARE
13	1	TUBE FITTING KIT	951-2426RP	951-3812RP
16	8	BOLT	951-247RP	951-247RP
17	1	CASING WEAR RING	10-374 HARDWARE	HARDWARE
20	4	BOLT	N/A	951-3806RP
			HARDWARE	HARDWARE

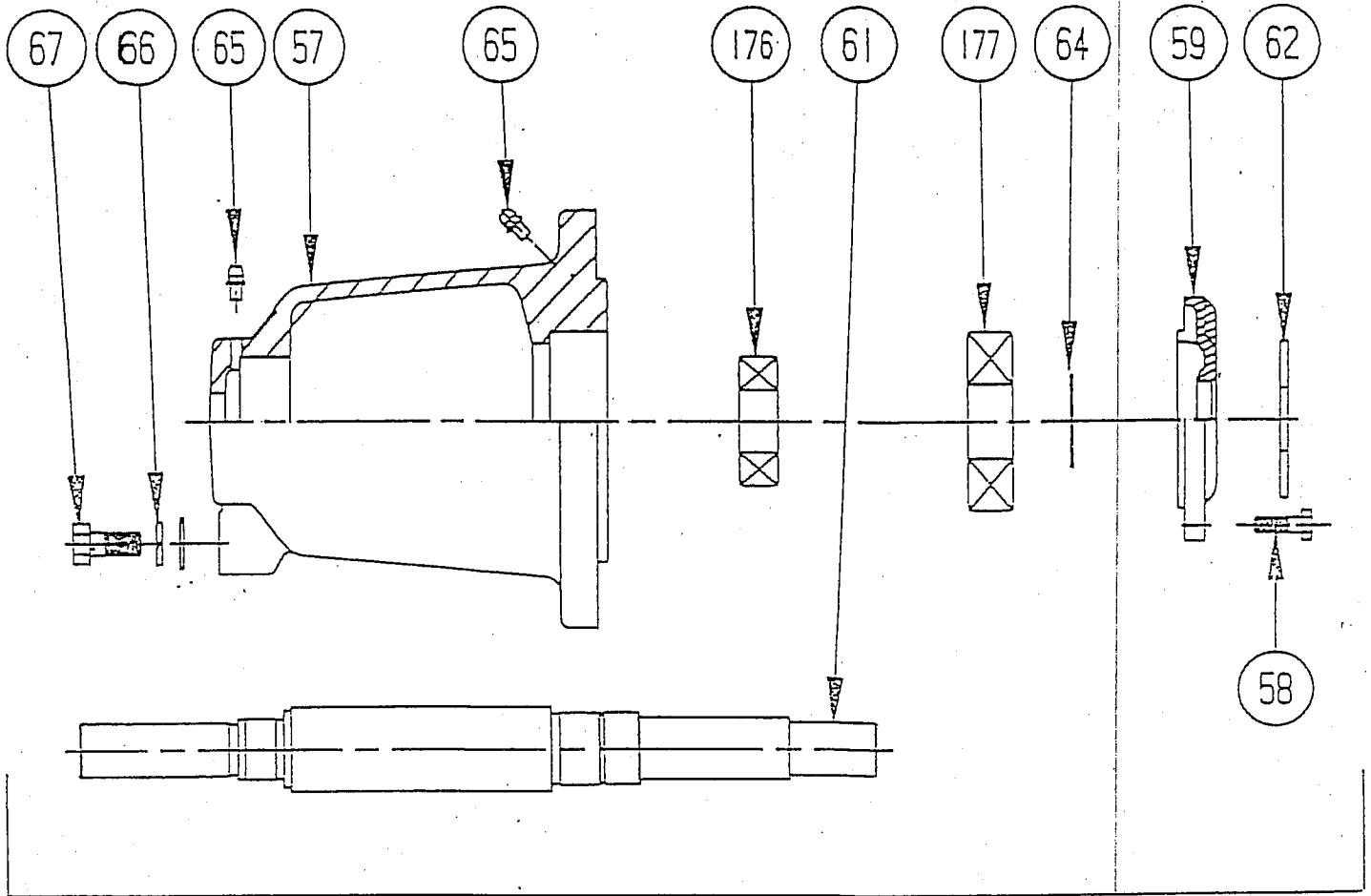
COMPARE. YOU'LL TAKE TACO.

TACO, INC., 1150 Cranston Street, Cranston, RI 02920 (401) 942-8000 FAX: (401) 942-2360

TACO (CANADA) LTD., 5150 Crean Drive, Mississauga, Ontario L5T 2B3 (905) 584-9422 FAX: (905) 584-9425

Printed in U.S.A.

FRAME PARTS

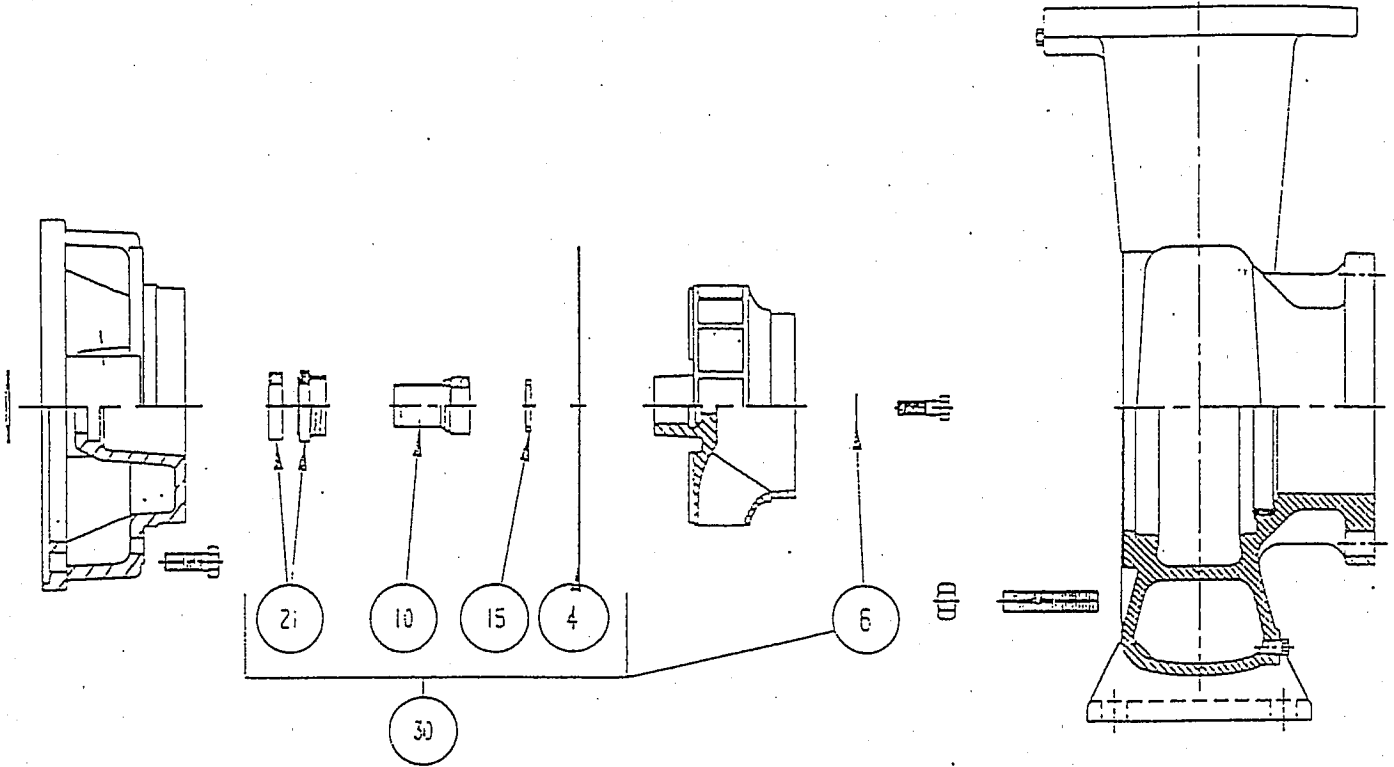


72

FRAME PARTS FOR "G" SIZE PUMP

ITEM NO.	NO. REQ.	DESCRIPTION	PART NO.	REMARKS
72	1	FRAME ASSEMBLY (CS)	951-2494RP	CARBON STEEL SHAFT
72	1	FRAME ASSEMBLY (SS)	951-2954RP	STAINLESS STEEL SHAFT
57	1	FRAME	N/A	
58	4	HEX HD. SCREWS	HARDWARE	
59	1	BEARING COVER	951-2406RP	
176	1	BALL BEARING	951-2491RP	
177	1	BALL BEARING	872-056RP	
61	1	SHAFT (CS)	951-2408RP	CARBON STEEL
61	1	SHAFT (SS)	951-2951RP	STAINLESS STEEL
62	1	DEFLECTOR	N/A	
64	1	RETAINING RING	15-141RP	
65	2	GREASE FITTING	15-203RP	
66	1	WASHER	HARDWARE	
67	1	BOLT	HARDWARE	

MECHANICAL SEAL DESIGN



TYPE "E" STANDARD, TYPE "D" HI TEMP

ITEM NO.	NO. REQ.	DESCRIPTION	SEAL DESIGN	
			TYPE "E"	TYPE "D"
4	1	GASKET	SEE PAGE 1	
6	1	IMPELLER WASHER	951-2579RP	
10	1	SLEEVE (SS)	951-3037RP	
10	1	SLEEVE (BRZ)	951-3037BRP	
15	1	SLEEVE GASKET	951-3066RP	
30	1	SEAL KIT	951-2968SRP	951-2967SRP
30	1	SEAL KIT	951-2968BRP	951-2967BRP
21	1	WATER SEAL	951-2968RP	951-2967RP

SEAL KIT INCLUDES ITEMS NUMBER 4, 6, 10, 15 & 21.