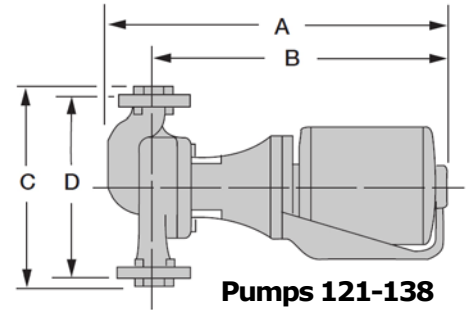


Taco Series 121 to 138 Pumps & Repair Parts

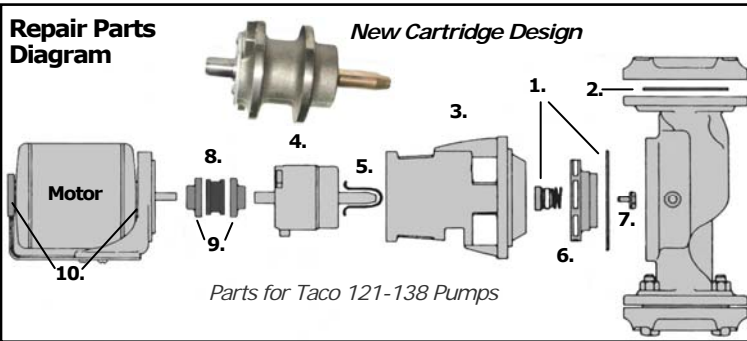


- Circulates chilled & hot water.
 - System temperatures to 240°
 - Taco cartridge design pumps isolate bearing from system environment. No oiling!
 - Companion flanges (2½" or 3" pipe size) included with each new pump.
 - *Motors at 1/4 and 1/3 HP operate at 115V only.
 - All Bronze Body pumps also available via special order.
- Bronze fitted pumps shown below have all bronze components where exposed to water. Good for potable water.

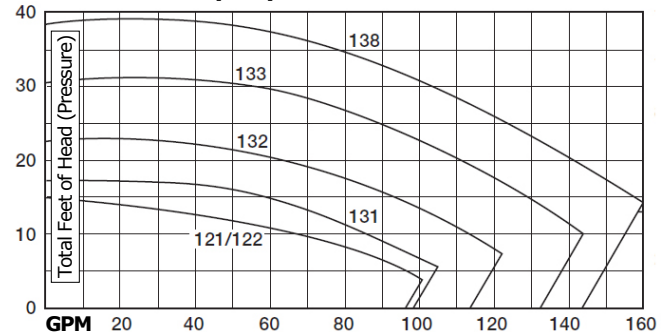
Dimensions



121 to 138 Taco Pumps & Companion Flanges									Flanges (sold each)		Dimensions, inches				
Pump No.	Flange Pipe Size	Motor 60 Hz 1750 RPM	Iron Construction Pumps			Bronze Fitted Pumps			Cast Iron Order No.	Bronze Order No.	A	B	C	D	Wgt. lbs.
			Order No. 115/230V One-Phase	Order No. 230/460V 3 Phase	Order No. 200V 3 Phase	Order No. 115/230V One-Phase	Order No. 230/460V 3 Phase	Order No. 200V 3 Phase							
121	2½"	¼ HP	*TC1165	—	—	TC1097M	—	—	TD1006K	TD1006H	18⅞	15⅞	14¼	11⅞	72
122	3"	¼ HP	*TC1165A	—	—	TC1097N	—	—	TD1006P	TD1006M	18⅞	15⅞	13⅝	11⅞	72
131	3"	1/3 HP	*TC1097	—	—	TC1097P	—	—			19¼	15¾	16	13⅝	95
132	3"	½ HP	TC1097A	TC1097B	TC1097G	TC1097R	TC1097U	TC1097X			21½	18	16	13⅝	108
133	3"	¾ HP	TC1097C	TC1097D	TC1097H	TC1097S	TC1097V	TC1097Y	22⅞	18⅞	16	13⅝	113		
138	3"	1 HP	TC1097E	TC1097F	TC1097K	TC1097T	TC1097W	TC1097Z	22⅞	19⅞	16	13⅝	118		



121-138 Pump Capacities



Repair Parts Ordering Guide For 121 to 138 pumps manufactured since 1969							Replacement Motors For 1600 & 121-138			
Item No.	Pump Model	121	122	131	132	133	138	HP & Volt	Order No.	
	Repair Part Description	Repair Part Order No.								
1	Seal Kit with gasket, std. temp. to 225° F	TD1015							¼ HP 115 Only	TD1077
	Seal Kit with gasket, high temp. to 300° F	TD1509							½ HP 115 Only	TD1080
2	Flange Gaskets (set of two)	TD1486							½ HP 115/230	TD1083
	Flange & Body Gasket Set	TD1007							½ HP 200/230/460	TD1082
3	Bracket Frame w/gasket, Cast Iron	TD1009		TD1506		TD1008		¾ HP 115/230	TD1083D	
	Bracket Frame w/gasket, Bronze	TD1504		TD1507		TD1511		¾ HP 200-230/460	TD1083F	
*4	Cartridge with Shaft Sleeve	TD1010							1 HP 115/230	TD1086
5	Shaft Sleeve Only	TD1017							1 HP 200-230/460	TD1088
6	Impeller	TD1225B		TD1225A	TD1225	TD1230	TD1235	1½ HP 115/230	TD1255	
7	Impeller Bolt, order separately	TD1508							1½ HP 115/230	TD1250
	Impeller Washer, order separately	TD1508B							1½ HP 200-230/460	TD1255
8	Coupling Insert, rubber-like	WK1005			WK1010				2 HP 115/230	TD1260
9	Coupling Flange, metal (sold each)	WK1040 (1/2") x WK1050 (5/8")				WK1055 (5/8")			2 HP 200-230/460	TD1260C
10	Motor Mounts, (2) for Emerson Motors	TD1040				—				
	Motor Mounts, (2) for G.E. Motors	TD1035				TD1045				
	Motor Mounts, (2) for Marathon Motors	TD1040				TD1046				

* The most popular complete pump repair part