

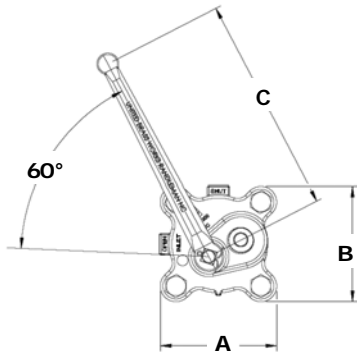
United Brass Slow- & Quick-Open Blowdown Valves

Quick Open, Lever Handle Boiler Blowdown Valves for Steam Applications

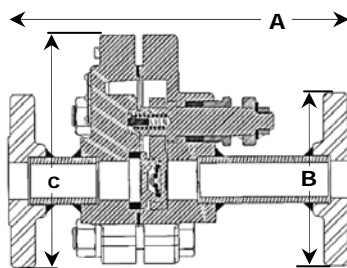
United Brass, a leader in boiler trim valve manufacturing, now offers an alternative to the Everlasting brand of boiler blow down valves. The model 425 has NPT pipe connections, while the model 625 has NPT flanged connections. Both models provide quick open, lever handle operation. Designed for rugged service of boiler treatment and scale, the integral sliding disc provides a cleaning action that keeps the seating area clear of scale and debris. The cast steel knife gate valve features a stainless steel seat and disc to ensure long-lasting operation.



425 Quick Open



625 Quick Open



Model	Pipe Size	Connect Style	Dimensions (inches)			Face-to-Face	Wgt lbs.	Order No.
			A	B	C			
425	1"	NPT Threaded Rated to 530 psi blow-off	5.3	5.3	10.0	3.8"	14	UT1200
	1¼"		5.3	5.3	10.0	3.8"	14	UT1201
	1½"		8.2	8.2	12.5	4.5"	36	UT1202
	2"		10.5	10.5	18.0	4.8	46	UT1203
Model	Pipe Size	Connect Style	A	B	C	No. of Bolt Holes	Wgt. lbs.	Order No.
625	1"	300 ANSI Flanged Rated to 485 psi blow-off	9.7	4.9	6.6	4	22.8	UT1210
	1¼"		9.7	4.9	6.6	4	25.2	UT1211
	1½"		10.9	6.1	8.0	4	41.2	UT1212
	2"		12.6	6.5	9.8	8	60.2	UT1213

Slow Open, Wheel Handle Boiler Blowdown Valves for Steam Applications

Model	Pipe Size	Connect Style	Dimensions (inches)			Face-to-Face	Wgt lbs.	Order No.
			A	B	C			
525	1"	NPT Threaded Rated to 530 psi Blow-off	5.5	12.3	9.5	—	26.0	UT1215
	1¼"		5.5	12.3	9.5	—	26.0	UT1216
	1½"		7.8	14.3	10.6	—	40.0	UT1217
	2"		9.2	14.9	16.0	—	68.0	UT1218
Model	Pipe Size	Connect Style	A	B	C	No. of Bolt Holes	Wgt. lbs.	Order No.
725	1"	300 ANSI Flanged Rated to 485 psi blow-off	9.7	4.9	8.1	4	27.4	UT1220
	1¼"		9.7	4.9	8.1	4	27.8	UT1221
	1½"		10.9	6.1	8.6	4	44.5	UT1222
	2"		12.6	6.5	9.2	8	65.4	UT1223

United Brass Slow Open, wheel operated boiler blowdown valves share the same features as the quick opening valves above. Available in both NPT threaded (Model 525) and ANSI flanged (Model 725). The cast steel knife gate valve conforms to Class 300 ANSI.



United Brass Blow-Off Valves

The lower price alternative to Everlasting brand valves.

725 Slow Open



525 Slow Open

