

Data sheet

Commercial motors

File No: 48.11
Date: NOVEMBER 22, 2012
Supersedes: NEW
Date: NEW

2

PERFORMANCE DATA SHEET

EPACT NR CAN NEMA 12 - 11

CATALOGUE #: MQC-26W

HP	KW	FRAME	ENCLOSURE	VOLTAGE	L.R. AMPS	DESIGN
7.5	5.60	213T	TEFC	230/460	126/63	B

60 HZ AT 1.15 S.F.

FLA		SYNC. RPM	F.L. RPM	EFF.	P.F.	CODE
230V	460V					
17.6	8.8	3600	3525	88.5%	0.91	H

50 HZ AT 1.0 S.F.

FLA		SYNC. RPM	F.L. RPM	EFF.	P.F.	CODE
190V	380V					
21.0	10.5	3000	2910	86.5%	0.92	E

WGT. LBS	PH	DUTY	INSL	AMB	ELEVATION
134	3	CONTINUOUS	F	40	3300 ft

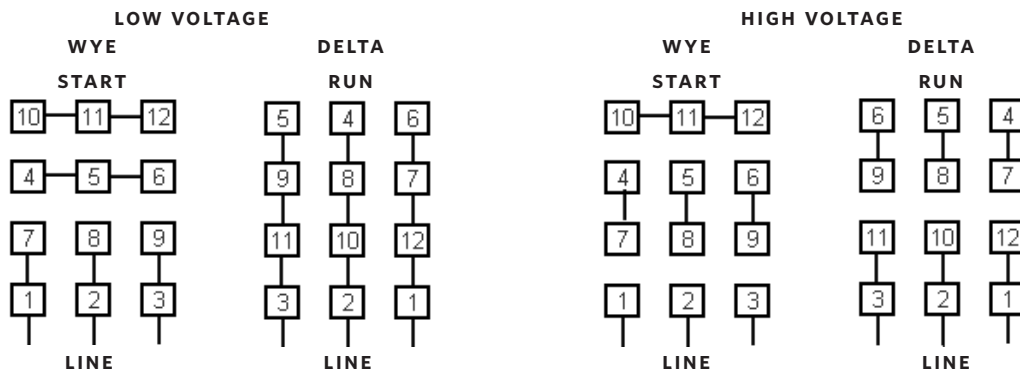
% EFFICIENCY	% POWER FACTOR	TORQUE
FULL LOAD: 88.5	FULL LOAD: 91	FULL LOAD LBS - FT: 11.15
¾ LOAD: 89	¾ LOAD: 90	LOCKED ROTOR %: 190
½ LOAD: 89.0	½ LOAD: 85	BREAK DOWN %: 270

ROTOR INERTIA WK2	MAX LOAD INERTIA WK2	SHAFT MATERIAL	FRAME MATERIAL	DE BRACKET TYPE	ODE BRACKET TYPE	SEVERE DUTY
0.00	12	STANDARD	CAST IRON	STD	STD	IP55

BALL BEARINGS DE/ODE	GREASE	MOUNT TYPE	ORIENTATION	PAINT
6308/6308	SEALED BEARINGS	RIGID	HORIZONTAL	BLUE

WIRING CONNECTION DIAGRAM: B

213T - 405T DUAL VOLTAGE 12 LEADS CONNECTION



MAX MOTION W SERIES EPACT NEMA 12-11 EFFICIENCY PERFORMANCE DATA

MEP CAT#	FRAME	HP	60 Hz										50 Hz										TORQUE			EFFICIENCY			POWER FACTOR			ROTOR		MAX WPK ²	GREASE	PAINT	NEMA EFFICIENCY	CONNECTION	DIAGRAM										
			FLA 230V	FLA 460V	460V L.R. AMPS	FLA 575 OR 460	L.R. AMPS	LOW VOLTAGE	HIGH VOLTAGE	VOLTAGE	RPM	RPM	EFF. (%)	P.F.	CODE	FLA 190V	FLA 380V	RPM	RPM	EFF. (%)	P.F.	CODE	NET WT. LBS	DE/Ø/DE BRG	FULL LOAD	LOCKED ROTOR %	BREAK DOWN %	FULL LOAD %	% LOAD %	% LOAD %	% LOAD %	% LOAD %	% LOAD %							FULL LOAD %	% LOAD %	% LOAD %	% LOAD %	% LOAD %	% LOAD %	LB FT ²	LB FT ²		
			3.2	1.6	1.6	1.6	30/15	230	460	230/460	3500	3600	77.0	M	41	6205/6205	3000	3000	83.0	0.78	M	41	6205/6205	3.02	300	310	85.5	85	83.6	76	71	58	0.04							9	0.04	9	85.5	85	83.6	76	71	58	0.04
MPP-1	143T	1	3.2	1.6	1.6	1.6	30/15	230	460	230/460	3500	3600	77.0	M	41	6205/6205	3.02	300	310	85.5	85	83.6	76	71	58	0.04	9	0.04	9	85.5	85	83.6	76	71	58	0.04	9	D	A										
MPP-1	143T	1	1.2	1.2	1.2	12	12	575	575	230/460	1740	1800	85.5	0.76	M	3.6	1.8	1.4410	1500	1800	83.0	0.78	H	47	6205/6205	3.02	300	310	85.5	85	83.6	76	71	58	0.04	9	0.04	9	85.5	85	83.6	76	71	58	0.04	9	A	A	
MPP-2	143T	1	3	1.5	1.5	15	15	30/15	230	460	230/460	1740	1800	85.5	0.76	M	3.6	1.8	1.4410	1500	1800	83.0	0.78	H	47	6205/6205	3.02	300	310	85.5	85	83.6	76	71	58	0.04	9	0.04	9	85.5	85	83.6	76	71	58	0.04	9	D	D
MPP-2	143T	1	1.2	1.2	1.2	12	12	575	575	230/460	1740	1800	85.5	0.76	M	3.6	1.8	1.4410	1500	1800	83.0	0.78	H	47	6205/6205	3.02	300	310	85.5	85	83.6	76	71	58	0.04	9	0.04	9	85.5	85	83.6	76	71	58	0.04	9	A	A	
MPP-3	145T	1	3.4	1.7	1.5	15	15	30/15	230	460	230/460	1140	1200	82.5	0.69	M	4	2	940	1000	80.5	0.71	K	52	6205/6205	4.6	260	330	82.5	82	80.2	69	60	47	0.04	23	0.04	23	82.5	82	80.2	69	60	47	0.04	23	D	D	
MPP-3	145T	1	1.4	1.4	1.2	12	12	575	575	230/460	1140	1200	82.5	0.69	M	4	2	940	1000	80.5	0.71	K	52	6205/6205	4.6	260	330	82.5	82	80.2	69	60	47	0.04	23	0.04	23	82.5	82	80.2	69	60	47	0.04	23	A	A		
MPP-6	145T	1.5	4	2	2.0	40/20	20	40/20	230	460	230/460	3500	3600	84.0	0.85	M	4.8	2.4	2900	3000	82.0	0.87	K	46	6205/6205	2.2	260	320	84	83.6	82.1	85	78	66	0.04	2.60	0.04	2.60	84	83.6	82.1	85	78	66	0.04	2.60	D	D	
MPP-6	145T	1.5	1.6	1.6	1.6	16	16	575	575	230/460	3500	3600	84.0	0.85	M	4.8	2.4	2900	3000	82.0	0.87	K	46	6205/6205	2.2	260	320	84	83.6	82.1	85	78	66	0.04	2.60	0.04	2.60	84	83.6	82.1	85	78	66	0.04	2.60	D	D		
MPP-7	145T	1.5	4.4	2.2	2.0	40/20	20	40/20	230	460	230/460	1740	1800	86.5	0.76	M	5	2.5	1410	1500	84.0	0.8	H	55	6205/6205	4.54	320	330	86.5	86.3	85	76	71	58	0.05	13.00	0.05	13.00	86.5	86.3	85	76	71	58	0.05	13.00	A	A	
MPP-7	145T	1.5	1.8	1.8	1.8	18	18	575	575	230/460	1740	1800	86.5	0.76	M	5	2.5	1410	1500	84.0	0.8	H	55	6205/6205	4.54	320	330	86.5	86.3	85	76	71	58	0.05	13.00	0.05	13.00	86.5	86.3	85	76	71	58	0.05	13.00	D	D		
MPP-8	182T	1.5	4.6	2.3	2.0	40/20	20	40/20	230	460	230/460	1165	1200	87.5	0.71	M	5.6	2.8	960	1000	85.5	0.73	K	95	6306/6306	6.8	240	340	87.5	87	85.2	71	64	55	0.28	33.80	0.28	33.80	87.5	87	85.2	71	64	55	0.28	33.80	A	A	
MPP-8	182T	1.5	1.8	1.8	1.8	18	18	575	575	230/460	1165	1200	87.5	0.71	M	5.6	2.8	960	1000	85.5	0.73	K	95	6306/6306	6.8	240	340	87.5	87	85.2	71	64	55	0.28	33.80	0.28	33.80	87.5	87	85.2	71	64	55	0.28	33.80	D	D		
MPP-11	145T	2	4.84	2.42	2.5	2.4	50/25	230	460	230/460	3500	3600	85.5	0.90	L	5.8	2.9	2830	3000	83.5	0.92	F	52	6205/6205	3	260	280	85.5	85.1	83.6	90	72	61	0.04	4	0.04	4	85.5	85.1	83.6	90	72	61	0.04	4	D	D		
MPP-11	145T	2	1.9	1.9	2.0	20	20	575	575	230/460	3500	3600	85.5	0.90	L	5.8	2.9	2830	3000	83.5	0.92	F	52	6205/6205	3	260	280	85.5	85.1	83.6	90	72	61	0.04	4	0.04	4	85.5	85.1	83.6	90	72	61	0.04	4	D	D		
MPP-12	145T	2	5.6	2.8	2.5	2.8	50/25	230	460	230/460	1740	1800	86.5	0.80	L	7	3.5	1400	1500	84.0	0.83	G	56	6205/6205	6.05	320	330	86.5	86.7	86.4	80	75	63	0.06	17	0.06	17	86.5	86.7	86.4	80	75	63	0.06	17	A	A		
MPP-12	145T	2	2.2	2.2	2.0	20	20	575	575	230/460	1740	1800	86.5	0.80	L	7	3.5	1400	1500	84.0	0.83	G	56	6205/6205	6.05	320	330	86.5	86.7	86.4	80	75	63	0.06	17	0.06	17	86.5	86.7	86.4	80	75	63	0.06	17	D	D		
MPP-13	184T	2	5.8	2.9	2.5	2.9	50/25	230	460	230/460	1165	1200	88.5	0.74	L	7	3.5	960	1000	86.5	0.75	J	103	6306/6306	9.1	230	300	88.5	88	86.4	74	69	56	0.33	44	0.33	44	88.5	88	86.4	74	69	56	0.33	44	A	A		
MPP-13	184T	2	2.3	2.3	2.0	20	20	575	575	230/460	1165	1200	88.5	0.74	L	7	3.5	960	1000	86.5	0.75	J	103	6306/6306	9.1	230	300	88.5	88	86.4	74	69	56	0.33	44	0.33	44	88.5	88	86.4	74	69	56	0.33	44	D	D		
MPP-16	182T	3	7.4	3.7	3.2	3.7	64/32	230	460	230/460	3510	3600	86.5	0.89	K	9	4.5	2900	3000	84.5	0.91	F	103	6306/6306	9.1	230	300	86.5	86.6	86.1	89	87	78	0.14	5	0.14	5	86.5	86.6	86.1	89	87	78	0.14	5	D	D		
MPP-16	182T	3	3.0	3.0	3.0	30	30	575	575	230/460	3510	3600	86.5	0.89	K	9	4.5	2900	3000	84.5	0.91	F	103	6306/6306	9.1	230	300	86.5	86.6	86.1	89	87	78	0.14	5	0.14	5	86.5	86.6	86.1	89	87	78	0.14	5	A	A		
MPP-17	182T	3	8	4	4	4	64/32	230	460	230/460	1745	1800	89.5	0.82	K	9.5	4.75	1430	1500	87.0	0.85	H	97	6306/6306	9	250	320	89.5	89.1	87.6	82	77	65	0.23	25	0.23	25	89.5	89.1	87.6	82	77	65	0.23	25	D	D		
MPP-17	182T	3	3.2	3.2	3.2	32	32	575	575	230/460	1745	1800	89.5	0.82	K	9.5	4.75	1430	1500	87.0	0.85	H	97	6306/6306	9	250	320	89.5	89.1	87.6	82	77	65	0.23	25	0.23	25	89.5	89.1	87.6	82	77	65	0.23	25	A	A		
MPP-8	213T	3	8.4	4.2	3.2	4.2	64/32	230	460	230/460	1170	1200	89.5	0.75	K	10	5	965	1000	85.5	0.77	H	136	6308/6308	13.47	200	300	89.5	89.2	87.7	75	67	54	0.71	66	0.71	66	89.5	89.2	87.7	75	67	54	0.71	66	B	B		
MPP-8	213T	3	3.4	3.4	3.4	34	34	575	575	230/460	1170	1200	89.5	0.75	K	10	5	965	1000	85.5	0.77	H	136	6308/6308	13.47	200	300	89.5	89.2	87.7	75	67	54	0.71	66	0.71	66	89.5	89.2	87.7	75	67	54	0.71	66	E	E		
MPP-21	184T	5	11.6	5.8	4.6	5.8	92/46	230	460	230/460	3515	3600	88.5	0.92	J	14	7	2915	3000	86.5	0.93	F	110	6306/6306	7.46	180	320	88.5	88.6	88.2	92	92.5	86	0.14	9	0.14	9	88.5	88.6	88.2	92	92.5	86	0.14	9	D	D		
MPP-21	184T	5	4.6	4.6	4.6	46	46	575	575	230/460	3515	3600	88.5	0.92	J	14																																	

MAX MOTION W SERIES EPACT NEMA 12-11 EFFICIENCY PERFORMANCE DATA

MEP CAT#	FRAME	HP	60 Hz											50 Hz											DE/DR Brg			TORQUE			EFFICIENCY			POWER FACTOR			ROTOR		MAX WK ²	GREASE	PAINT	NEMA EFFICIENCY	APPROVAL	CONNECTION DIAGRAM
			FLA 230V	FLA 460V	460V L.R. Amps	FLA 575 OR 460 Amps	L.R. AMPS	LOW VOLTAGE	HIGH VOLTAGE	VOLTAGE	RPM	EFF. (%)	P.F.	CODE	FLA 190V	FLA 380V	RPM	EFF. (%)	P.F.	CODE	NET WT. LBS.	LOCKED ROTOR %	BREAK DOWN %	FULL LOAD %	1/2 LOAD %	FULL LOAD %	1/2 LOAD %	FULL LOAD %	1/2 LOAD %	FULL LOAD %	1/2 LOAD %	FULL LOAD %	LBS FT	LB FT										
MPP-36	254T	15	34.4	17.2	116	17.2	232/116	230	460	230/460	3515	3600	91.0	0.91	G	41.6/20.8	2905/3000	89.0	0.92	E	286	6309/6309	22.4	180	290	91	91.1	91	91	91	84	0.95	24	B	E									
MPP-36	254T	15	-	-	-	21.5	92.8	NA	575	575	3515	3600	91.0	0.91	G	NA	NA	NA	NA	286	6309/6309	22.4	180	290	91	91.1	91	91	84	0.95	24	B	E											
MPP-37	254T	15	36	18	116	18.0	232/116	230	460	230/460	1750	1800	92.4	0.86	G	43	21.5/1450	1500	90.4	0.88	F	297	6309/6309	44.8	185	230	92.4	92.2	92	86	85	1.78	105	B	E									
MPP-37	254T	15	-	-	-	14.4	92.8	NA	575	575	1750	1800	92.4	0.86	G	NA	NA	NA	NA	297	6309/6309	44.8	185	230	92.4	92.2	92	86	85	1.78	105	B	E											
MPP-38	284T	15	37	18.5	116	18.5	232/116	230	460	230/460	1175	1200	91.7	0.84	G	46	23	965	1000	89.7	0.86	F	363	6311/6311	67.07	200	255	91.7	91.4	84	81	72	4.75	294	B	E								
MPP-38	284T	15	-	-	-	14.8	92.8	NA	575	575	1175	1200	91.7	0.84	G	NA	NA	NA	NA	363	6311/6311	67.07	200	255	91.7	91.4	84	81	72	4.75	294	B	E											
MPP-41	256T	20	45	22.5	145	22.5	290/145	230	460	230/460	3530	3600	91.0	0.89	G	55	27.5	2920	3000	89.0	0.93	E	315	6309/6309	29.76	170	250	91	90.5	90.4	89	89.2	86	1.19	31	B	E							
MPP-41	256T	20	-	-	-	18.0	116	NA	575	575	3530	3600	91.0	0.89	G	NA	NA	NA	NA	315	6309/6309	29.76	170	250	91	90.5	90.4	89	89.2	86	1.19	31	B	E										
MPP-42	256T	20	48	24	145	24.0	290/145	230	460	230/460	1750	1800	93.0	0.85	G	58	29	1450	1500	91.5	0.87	F	315	6309/6309	59.8	200	220	93	93.2	93	85	86	78	2.37	142	B	E							
MPP-42	256T	20	-	-	-	19.2	116	NA	575	575	1750	1800	93.0	0.85	G	NA	NA	NA	NA	315	6309/6309	59.8	200	220	93	93.2	93	85	86	78	2.37	142	B	E										
MPP-43	286T	20	49	24.5	145	24.5	290/145	230	460	230/460	1175	1200	91.7	0.85	G	60	30	965	1000	89.7	0.86	F	394	6311/6311	89.42	200	250	91.7	91.7	91.5	85	86	78	5.70	385	B	E							
MPP-43	286T	20	-	-	-	19.6	116	NA	575	575	1175	1200	91.7	0.85	G	NA	NA	NA	NA	394	6311/6311	89.42	200	250	91.7	91.7	91.5	85	86	78	5.70	385	B	E										
MPP-46	284T	25	56	28	182	28.0	364/182	230	460	230/460	3530	3600	92	0.92	G	68	34	2920	3000	90.00	0.93	F	385	6311/6311	37.2	180	270	91.7	91.7	91.1	92	91	86	1.59	39	B	E							
MPP-46	284T	25	-	-	-	22.4	145.6	NA	575	575	3530	3600	92	0.92	G	NA	NA	NA	NA	385	6311/6311	37.2	180	270	91.7	91.7	91.1	92	91	86	1.59	39	B	E										
MPP-47	284T	25	57	28.5	182	28.5	364/182	230	460	230/460	1760	1800	93.6	0.90	G	68	34	1460	1500	92.3	0.91	F	392	6311/6311	74.3	180	260	93.6	93	92.6	90	87	77	3.80	180	B	E							
MPP-47	284T	25	-	-	-	22.8	145.6	NA	575	575	1760	1800	93.6	0.90	G	NA	NA	NA	NA	392	6311/6311	74.3	180	260	93.6	93	92.6	90	87	77	3.80	180	B	E										
MPP-48	324T	25	59	29.5	182	29.5	364/182	230	460	230/460	1175	1200	93.0	0.86	G	73	36	965	1000	91.0	0.87	F	508	6312/6312	111.3	200	250	93	93	92.4	86	84	75	8.31	475	B	E							
MPP-48	324T	25	-	-	-	23.6	145.6	NA	575	575	1175	1200	93.0	0.86	G	NA	NA	NA	NA	508	6312/6312	111.3	200	250	93	93	92.4	86	84	75	8.31	475	B	E										
MPP-51	286T	30	67.4	33.7	217	33.7	434/217	230	460	230/460	3530	3600	91.7	0.92	G	82	41	2920	3000	90.0	0.93	F	409	6311/6311	44.5	180	280	91.7	91.7	91.4	92	92	88	1.90	41	B	E							
MPP-51	286T	30	-	-	-	27.0	173.6	NA	575	575	3530	3600	91.7	0.92	G	NA	NA	NA	NA	409	6311/6311	44.5	180	280	91.7	91.7	91.4	92	92	88	1.90	41	B	E										
MPP-52	286T	30	68	34	217	34.0	434/217	230	460	230/460	1760	1800	93.6	0.90	G	82	41	1460	1500	92.2	0.91	F	418	6311/6311	89.1	185	280	93.6	93.2	92.7	90	88	80	4.75	200	B	E							
MPP-52	286T	30	-	-	-	28.4	173.6	NA	575	575	1760	1800	93.6	0.90	G	NA	NA	NA	NA	418	6311/6311	89.1	185	280	93.6	93.2	92.7	90	88	80	4.75	200	B	E										
MPP-53	326T	30	71	35.5	217	35.5	434/217	230	460	230/460	1180	1200	93.0	0.85	G	86	43	970	1000	91.0	0.87	F	537	6312/6312	133.56	200	235	93	93	92.5	85	83	75	9.49	520	B	E							
MPP-53	326T	30	-	-	-	28.4	173.6	NA	575	575	1180	1200	93.0	0.85	G	NA	NA	NA	NA	537	6312/6312	133.56	200	235	93	93	92.5	85	83	75	9.49	520	B	E										
MPP-56	324T	40	89	44.5	290	44.5	580/290	230	460	230/460	3540	3600	92.4	0.92	G	108	54	2925	3000	90.7	0.93	F	510	6312/6312	59.2	180	280	92.4	92	92	88	82	3.08	55	B	E								
MPP-56	324T	40	-	-	-	35.6	232	NA	575	575	3540	3600	92.4	0.92	G	NA	NA	NA	NA	510	6312/6312	59.2	180	280	92.4	92	92	88	82	3.08	55	B	E											
MPP-57	324T	40	90	45	290	45.0	580/290	230	460	230/460	1760	1800	94.1	0.89	G	110	55	1460	1500	92.8	0.9	F	519	6312/6312	118.8	180	260	94.1	93.3	92.3	89	86	80	7.12	258	B	E							
MPP-57	324T	40	-	-	-	36.0	232	NA	575	575	1760	1800	94.1	0.89	G	NA	NA	NA	NA	519	6312/6312	118.8	180	260	94.1	93.3	92.3	89	86	80	7.12	258	B	E										
MPP-58	364T	40	93	46.5	290	46.5	580/290	230	460	230/460	1180	1200	94.1	0.86	G	113	56.5	980	1000	92.4	0.87	F	697	6313/6313	178.08	200	235	94.1	94.1	93.6	86	83	76	14.24	687	B	E							
MPP-58	364T	40	-	-	-	37.2	232	NA	575	575	1180	1200	94.1	0.86	G	NA	NA	NA	NA	697	6313/6313	178.08	200	235	94.1	94.1	93.6	86	83	76	14.24	687	B	E										
MPP-61	326T	50	110	55	362	55.0	724/362	230	460	230/460	3545	3600	93.0	0.92	G	134	67	2930	3000	91.3	0.93	F	548	6312/6312	73.9	175	260	93	92.1	91.4	92	89.5	84	3.80	65	B	E							
MPP-61	326T	50	-	-	-	44.0	289.6	NA	575	575	3545	3600	93.0	0.92	G	NA	NA	NA	NA	548	6312/6312	73.9	175	260	93	92.1	91.4	92	89.5	84	3.80	65	B	E										
MPP-62	326T	50	112	56	362	56.0	724/362	230	460	230/460	1765	1800	94.5	0.90	G	135	67.5	1465	1500	93.0	0.91	F	594	6312/6312	148.4	175	250	94.5	93.6	93	90	87	80	7.59	340	B	E							
MPP-62	326T	50	-	-	-	44.8	289.6	NA	575	575	1765	1800	94.5	0.90	G	NA	NA	NA	NA	594	6312/6312	148.4	175	250	94.5	93.6	93	90	87	80	7.59	340	B	E										
MPP-63	365T	50	116	58	362	58.0	724/362	230	460	230/460	1180	1200	94.1	0.87	G	138	69	980	1000	92.5	0.88	F	752	6313/6313	222.6	200	220	94.1	94.2	93.8	87	86	79	14.95	846	B	E							
MPP-63	365T	50	-	-	-	46.4	289.6	NA	575	575	1180	1200	94.1	0.87	G	NA	NA	NA	NA	752	6313/6313	222.6	200	220	94.1	94.2	93.8	87	86	79	14.95	846	B	E										
MPP-66	364T	60	132	66	435	66.0	870/435	230	460	230/460	3560	3600	93.6	0.92	G	161	80.5	2940	3000	92.0	0.93	F	704	6313/6313	88.55	180	275	93.6	93	92.4	92	93	91	6.17	80	B	E							
MPP-66	364T	60	-	-	-	52.8</																																						

MAX MOTION W SERIES EPACT NEMA 12-11 EFFICIENCY PERFORMANCE DATA

MEP CAT#	FRAME	HP	60 Hz							50 Hz							DE/ODE BRG	FULL LOAD	LOCKED	ROTOR %	BREAK	DOWN	FULL	EFFICIENCY	POWER FACTOR	ROTOR		MAX	GREASE	PAINT	NEMA EFFICIENCY	CONNECTION	DIAGRAM					
			FLA 230V	FLA 460V	460V L.R. AMPS	FLA 575 OR 460 AMPS	L.R. AMPS	LOW VOLTAGE	HIGH VOLTAGE	VOLTAGE	RPM	RPM	EFF. (%)	P.F.	CODE	FLA 190V										FLA 380V	RPM							RPM	EFF. (%)	P.F.	CODE	NET WT. LBS.
MPP-71	365TS	75	165	82.5	542	1084/460	1084/460	230	460	230/460	3560	3600	93.6	0.92	G	200	100	2945/3000	3000	92.0	0.93	F	766	6313/6313	110.69	200	275	93.6	93	92.5	92	93	91.5	6.64	97	B	B	
MPP-71	365TS	75	-	-	542	1084/460	1084/460	NA	575	575	3560	3600	93.6	0.92	G	200	100	2945/3000	3000	92.0	0.93	F	766	6313/6313	110.69	200	275	93.6	93	92.5	92	93	91.5	6.64	97	E	E	
MPP-72	365TS	75	166	83	542	1084/460	1084/460	230	460	230/460	1780	1800	95.4	0.90	G	200	100	1470/1500	1500	94.0	0.91	F	783	6313/6313	221.95	195	260	95.4	94.9	94.5	90	90.5	85	12.81	465	B	B	
MPP-72	365TS	75	-	-	542	1084/460	1084/460	NA	575	575	1780	1800	95.4	0.90	G	200	100	1470/1500	1500	94.0	0.91	F	783	6313/6313	221.95	195	260	95.4	94.9	94.5	90	90.5	85	12.81	465	E	E	
MPP-73	405TS	75	170	85	542	1084/460	1084/460	230	460	230/460	1180	1200	94.5	0.88	G	204	102	980/1000	1000	93.5	0.89	F	1120	6318/6318	335	190	210	94.5	93.5	93	88	85	78	30.85	1235	B	B	
MPP-73	405TS	75	-	-	542	1084/460	1084/460	NA	575	575	1180	1200	94.5	0.88	G	204	102	980/1000	1000	93.5	0.89	F	1120	6318/6318	335	190	210	94.5	93.5	93	88	85	78	30.85	1235	E	E	
MPP-76	405TS	100	218	109	725	1090/725	1090/725	230	460	230/460	3560	3600	94.1	0.92	G	266	133	2950/3000	3000	92.6	0.93	F	1040	6314/6314	147.2	180	280	94.1	94	93.6	92	93	90.5	11.39	130	B	B	
MPP-76	405TS	100	-	-	725	1090/725	1090/725	NA	575	575	3560	3600	94.1	0.92	G	266	133	2950/3000	3000	92.6	0.93	F	1040	6314/6314	147.2	180	280	94.1	94	93.6	92	93	90.5	11.39	130	E	E	
MPP-77	405TS	100	220	110	725	1100/725	1100/725	230	460	230/460	1780	1800	95.4	0.90	G	264	132	1470/1500	1500	94.1	0.92	F	1058	6315/6315	295.17	185	220	95.4	95.1	94.7	90	90.5	84	21.83	600	B	B	
MPP-77	405TS	100	-	-	725	1100/725	1100/725	NA	575	575	1780	1800	95.4	0.90	G	264	132	1470/1500	1500	94.1	0.92	F	1058	6315/6315	295.17	185	220	95.4	95.1	94.7	90	90.5	84	21.83	600	E	E	
MPP-78	444TS	100	-	-	725	1130/725	1130/725	NA	460	460	1185	1200	95.0	0.88	G	NA	135	985	1000	93.5	0.89	F	1320	6319/6319	442.5	190	210	95	94.2	93.5	88	85	78	80.68	1610	C	C	
MPP-78	444TS	100	-	-	725	1130/725	1130/725	NA	575	575	1185	1200	95.0	0.88	G	NA	135	985	1000	93.5	0.89	F	1320	6319/6319	442.5	190	210	95	94.2	93.5	88	85	78	80.68	1610	E	E	
MPP-81	444TS	125	-	-	907	1370/907	1370/907	NA	460	460	3565	3600	95.0	0.92	G	NA	165	2950/3000	3000	93.5	0.93	F	1247	6314/6314	183.75	190	250	95	94.4	93.8	92	92.5	90.5	16.61	145	C	C	
MPP-81	444TS	125	-	-	907	1370/907	1370/907	NA	575	575	3565	3600	95.0	0.92	G	NA	165	2950/3000	3000	93.5	0.93	F	1247	6314/6314	183.75	190	250	95	94.4	93.8	92	92.5	90.5	16.61	145	E	E	
MPP-82	444TS	125	-	-	907	1370/907	1370/907	NA	460	460	1780	1800	95.4	0.91	G	NA	165	1470/1500	1500	94.2	0.92	F	1342	6319/6319	368.93	180	250	95.4	94.4	94	91	93	89.5	40.34	675	C	C	
MPP-82	444TS	125	-	-	907	1370/907	1370/907	NA	575	575	1780	1800	95.4	0.91	G	NA	165	1470/1500	1500	94.2	0.92	F	1342	6319/6319	368.93	180	250	95.4	94.4	94	91	93	89.5	40.34	675	E	E	
MPP-83	445TS	150	-	-	1096	1420/1096	1420/1096	NA	460	460	1185	1200	95.8	0.89	G	NA	198	985	1000	94.3	0.9	F	1800	6319/6318	664.5	185	215	95.8	95.1	94.5	89	85	78	109.16	2170	C	C	
MPP-83	445TS	150	-	-	1096	1420/1096	1420/1096	NA	575	575	1185	1200	95.8	0.89	G	NA	198	985	1000	94.3	0.9	F	1800	6319/6318	664.5	185	215	95.8	95.1	94.5	89	85	78	109.16	2170	E	E	
MPP-84	445TS	150	-	-	1096	1420/1096	1420/1096	NA	460	460	1185	1200	95.0	0.89	G	NA	168	985	1000	93.5	0.9	F	1400	6319/6318	553.5	190	210	95	94.5	93.8	89	85	78	94.92	1900	C	C	
MPP-84	445TS	150	-	-	1096	1420/1096	1420/1096	NA	575	575	1185	1200	95.0	0.89	G	NA	168	985	1000	93.5	0.9	F	1400	6319/6318	553.5	190	210	95	94.5	93.8	89	85	78	94.92	1900	E	E	
MPP-86	445TS	150	-	-	1085	1420/1085	1420/1085	NA	460	460	3570	3600	95.0	0.92	G	NA	197	2955/3000	3000	93.5	0.93	F	1408	6314/6314	220.42	195	245	95	94.5	93.8	92	93	90.7	21.36	170	C	C	
MPP-86	445TS	150	-	-	1085	1420/1085	1420/1085	NA	575	575	3570	3600	95.0	0.92	G	NA	197	2955/3000	3000	93.5	0.93	F	1408	6314/6314	220.42	195	245	95	94.5	93.8	92	93	90.7	21.36	170	E	E	
MPP-87	445TS	150	-	-	1085	1420/1085	1420/1085	NA	460	460	1780	1800	95.8	0.91	G	NA	200	1475	1500	93.5	0.92	F	1672	6319/6318	442.74	190	250	95.8	95.3	94.6	91	92	90	56.95	810	C	C	
MPP-87	445TS	150	-	-	1085	1420/1085	1420/1085	NA	575	575	1780	1800	95.8	0.91	G	NA	200	1475	1500	93.5	0.92	F	1672	6319/6318	442.74	190	250	95.8	95.3	94.6	91	92	90	56.95	810	E	E	
MPP-88	447TS	150	-	-	1085	1420/1085	1420/1085	NA	460	460	1185	1200	95.8	0.89	G	NA	198	985	1000	94.3	0.9	F	1800	6319/6318	664.5	185	215	95.8	95.1	94.5	89	85	78	109.16	2170	C	C	
MPP-88	447TS	150	-	-	1085	1420/1085	1420/1085	NA	575	575	1185	1200	95.8	0.89	G	NA	198	985	1000	94.3	0.9	F	1800	6319/6318	664.5	185	215	95.8	95.1	94.5	89	85	78	109.16	2170	E	E	
MPP-96	447TS	200	-	-	1450	2130/1450	2130/1450	NA	460	460	3570	3600	95.4	0.93	G	NA	260	2955/3000	3000	93.9	0.94	F	1584	6314/6314	293.9	185	210	95.4	94.8	94.3	93	94	93	27.29	220	C	C	
MPP-96	447TS	200	-	-	1450	2130/1450	2130/1450	NA	575	575	3570	3600	95.4	0.93	G	NA	260	2955/3000	3000	93.9	0.94	F	1584	6314/6314	293.9	185	210	95.4	94.8	94.3	93	94	93	27.29	220	E	E	
MPP-97	447TS	200	-	-	1450	2160/1450	2160/1450	NA	460	460	1780	1800	96.2	0.91	G	NA	265	1480/1500	1500	95.0	0.92	F	1782	6319/6318	737.8	190	220	96.2	96	95.3	91	91	89.5	80.68	1290	C	C	
MPP-97	447TS	200	-	-	1450	2160/1450	2160/1450	NA	575	575	1780	1800	96.2	0.91	G	NA	265	1480/1500	1500	95.0	0.92	F	1782	6319/6318	737.8	190	220	96.2	96	95.3	91	91	89.5	80.68	1290	E	E	
MPP-98	449TS	200	-	-	1450	2200/1450	2200/1450	NA	460	460	1185	1200	95.8	0.89	G	NA	264	985	1000	94.3	0.9	F	2100	6319/6318	885	190	210	95.8	95.1	94.5	89	85	79	142.38	2900	C	C	
MPP-98	449TS	200	-	-	1450	2200/1450	2200/1450	NA	575	575	1185	1200	95.8	0.89	G	NA	264	985																				

MAX MOTION W SERIES EPACT NEMA 12-11 EFFICIENCY PERFORMANCE DATA

Table with columns: MEP CAT#, FRAME, HP, FLA 230V, FLA 460V, FLA 575 OR 460V L.R., L.R. AMPS, LOW VOLTAGE, HIGH VOLTAGE, VOLTAGE, RPM, EFF. (%), P.F., CODE, FLA 190V, FLA 380V, RPM, EFF. (%), P.F., CODE, NET WT. LBS, DE/ODE BRG, TORQUE (FULL LOAD, LOCKED ROTOR, BREAK DOWN), EFFICIENCY (FULL LOAD, 1/2 LOAD), POWER FACTOR (FULL LOAD, 1/2 LOAD), ROTOR WK², MAX WK², GREASE, PAINT, NEMA EFFICIENCY APPROVAL, CONNECTION DIAGRAM.

MAX MOTION W SERIES EPACT NEMA 12-11 EFFICIENCY PERFORMANCE DATA

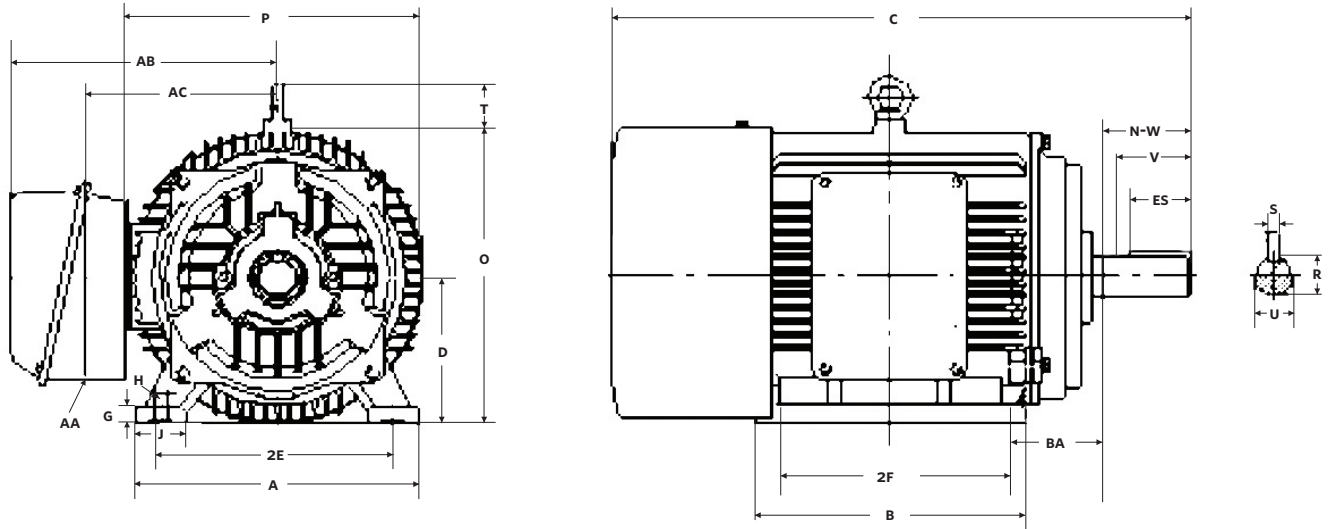
MEP CAT#	FRAME	HP	60 Hz								50 Hz										DE/DE BRG	TORQUE			EFFICIENCY	POWER FACTOR			RO- TOR WK ²	MAX TOR WK ²	GREASE	PAINT	NEMA EFFICIENCY	APPROVAL	CONNECTION	DIAGRAM
			FLA 230V	FLA 460V	460V L.R. AMPS	FLA 575 OR 460	L.R. AMPS	LOW VOLTAGE	HIGH VOLTAGE	VOLTAGE	RPM	RPM	EFF. (%)	P.F.	CODE	FLA 190V	FLA 380V	RPM	RPM	EFF. (%)		P.F.	CODE	NET WT. LBS		FULL LOAD lbs ft	LOCKED ROTOR %	BREAK DOWN %								
MPC-42W	256T	20	48.4	24.2	145	24.2	290/145	230	460	230/460	1750	1800	91	0.85	G	58	29	1450	1500	90	0.87	F	306	6309/6309	59.8	180	200	91	91.2	91	85	85	78	138.6	B	
MPC-42W	256T	20	-	-	19.4	116	116	575	575	1750/1800	1750	1800	91	0.85	G	60	30	965	1000	88.2	0.86	F	372	6311/6311	89.42	210	250	90.2	90.3	90.2	84	85	77	362	B	
MPC-43W	286T	20	49.8	24.9	145	24.9	290/145	230	460	230/460	1175	1200	90.2	0.84	G	60	30	965	1000	88.2	0.86	F	372	6311/6311	89.42	210	250	90.2	90.3	90.2	84	85	77	362	B	
MPC-43W	286T	20	-	-	19.9	116	116	575	575	1175/1200	1175	1200	90.2	0.84	G	68	34	2920	3000	89.3	0.92	F	365	6311/6311	37.2	190	290	91	91	90.7	91	90	86	36.4	B	
MPC-46W	284T	25	-	-	182	280	364/182	230	460	230/460	3530	3600	91	0.91	G	68	34	2920	3000	89.3	0.92	F	365	6311/6311	37.2	190	290	91	91	90.7	91	90	86	36.4	B	
MPC-46W	284T	25	-	-	22.4	145.6	145.6	575	575	3530/3600	3530	3600	91	0.91	G	70	35	1460	1500	90.5	0.89	F	372	6311/6311	74.3	180	260	92.4	91.7	91.1	85	84	75	170.8	B	
MPC-47W	284T	25	60	30	182	300	364/182	230	460	230/460	1760	1800	92.4	0.85	G	70	35	1460	1500	90.5	0.89	F	372	6311/6311	74.3	180	260	92.4	91.7	91.1	85	84	75	170.8	B	
MPC-47W	284T	25	-	-	24.0	145.6	145.6	575	575	1760/1800	1760	1800	92.4	0.85	G	72	36	965	1000	89.7	0.87	F	508	6312/6312	111.4	200	245	91.7	91.7	91.2	85	78	68	455	B	
MPC-48W	324T	25	60.4	30.2	182	302	364/182	230	460	230/460	1175	1200	91.7	0.85	G	72	36	965	1000	89.7	0.87	F	508	6312/6312	111.4	200	245	91.7	91.7	91.2	85	78	68	455	B	
MPC-48W	324T	25	-	-	24.2	145.6	145.6	575	575	1175/1200	1175	1200	91.7	0.85	G	87	43	870	1000	89.7	0.87	F	519	6312/6312	133.56	200	230	91.7	91.8	91.4	85	79	71	499.2	B	
MPC-51W	286T	30	67.4	33.7	217	337	434/217	230	460	230/460	3530	3600	91	0.92	G	82	41	2920	3000	89.3	0.93	F	387	6311/6311	44.6	180	290	91	91	90.8	92	92.1	88	40.3	B	
MPC-51W	286T	30	-	-	27.0	173.6	173.6	575	575	3530/3600	3530	3600	91	0.92	G	82	41	2920	3000	89.3	0.93	F	387	6311/6311	44.6	180	290	91	91	90.8	92	92.1	88	40.3	B	
MPC-52W	286T	30	70.6	35.3	217	353	434/217	230	460	230/460	1760	1800	92.4	0.86	G	85	42.5	1460	1500	90.5	0.89	F	387	6311/6311	89.1	200	280	92.4	92.1	91.5	86	84.5	76.5	187.2	B	
MPC-52W	286T	30	-	-	28.2	173.6	173.6	575	575	1760/1800	1760	1800	92.4	0.86	G	85	42.5	1460	1500	90.5	0.89	F	387	6311/6311	89.1	200	280	92.4	92.1	91.5	86	84.5	76.5	187.2	B	
MPC-53W	326T	30	73	36.5	217	365	434/217	230	460	230/460	1180	1200	91.7	0.85	G	87	43.8	970	1000	89.7	0.87	F	519	6312/6312	133.56	200	230	91.7	91.8	91.4	85	79	71	499.2	B	
MPC-53W	326T	30	-	-	29.2	173.6	173.6	575	575	1180/1200	1180	1200	91.7	0.85	G	87	43.8	970	1000	89.7	0.87	F	519	6312/6312	133.56	200	230	91.7	91.8	91.4	85	79	71	499.2	B	
MPC-56W	324T	40	89	44.5	290	445	580/290	230	460	230/460	3540	3600	91.7	0.91	G	108	54	2925	3000	90	0.93	F	486	6312/6312	59.2	185	280	91.7	91.2	90.3	91	87	80	52	B	
MPC-56W	324T	40	-	-	35.6	232	232	575	575	3540/3600	3540	3600	91.7	0.91	G	108	54	2925	3000	90	0.93	F	486	6312/6312	59.2	185	280	91.7	91.2	90.3	91	87	80	52	B	
MPC-57W	324T	40	93.2	46.6	290	466	580/290	230	460	230/460	1760	1800	93	0.87	G	110	55	1460	1500	91	0.9	F	521	6312/6312	118.9	185	265	93	92.2	91.1	87	84	78	245	B	
MPC-57W	324T	40	-	-	37.3	232	232	575	575	1760/1800	1760	1800	93	0.87	G	110	55	1460	1500	91	0.9	F	521	6312/6312	118.9	185	265	93	92.2	91.1	87	84	78	245	B	
MPC-58W	364T	40	94	47	290	470	580/290	230	460	230/460	1180	1200	93	0.86	G	113	56.5	980	1000	91	0.88	F	697	6313/6313	178.08	200	230	93	93	92.6	86	84	76.5	651	B	
MPC-58W	364T	40	-	-	37.6	232	232	575	575	1180/1200	1180	1200	93	0.86	G	113	56.5	980	1000	91	0.88	F	697	6313/6313	178.08	200	230	93	93	92.6	86	84	76.5	651	B	
MPC-61W	326T	50	110	55	362	550	724/362	230	460	230/460	3545	3600	92.4	0.92	G	134	67	2930	3000	90.7	0.93	F	532	6312/6312	73.9	190	300	92.4	91.5	90.7	92	85	80	63.7	B	
MPC-61W	326T	50	-	-	44.0	289.6	289.6	575	575	3545/3600	3545	3600	92.4	0.92	G	134	67	2930	3000	90.7	0.93	F	532	6312/6312	73.9	190	300	92.4	91.5	90.7	92	85	80	63.7	B	
MPC-62W	326T	50	116.6	58.3	362	583	724/362	230	460	230/460	1765	1800	93	0.87	G	138	69	1465	1500	91.5	0.9	F	565	6312/6312	148.4	190	265	93	92.1	91.2	87	84	79	300	B	
MPC-62W	326T	50	-	-	46.6	289.6	289.6	575	575	1765/1800	1765	1800	93	0.87	G	138	69	1465	1500	91.5	0.9	F	565	6312/6312	148.4	190	265	93	92.1	91.2	87	84	79	300	B	
MPC-63W	355T	50	116	58	362	580	724/362	230	460	230/460	1180	1200	93	0.87	G	140	70	980	1000	91	0.89	F	752	6313/6313	222.6	190	210	93	93.1	92.8	87	85	78	800	B	
MPC-63W	355T	50	-	-	46.4	289.6	289.6	575	575	1180/1200	1180	1200	93	0.87	G	140	70	980	1000	91	0.89	F	752	6313/6313	222.6	190	210	93	93.1	92.8	87	85	78	800	B	
MPC-66W	364T	60	132	66	435	660	870/435	230	460	230/460	3560	3600	93	0.92	G	161	80.5	2940	3000	91.4	0.93	F	706	6313/6313	88.55	185	270	93	92.2	91.5	92	91	90.5	74	B	
MPC-66W	364T	60	-	-	52.8	348	348	575	575	3560/3600	3560	3600	93	0.92	G	161	80.5	2940	3000	91.4	0.93	F	706	6313/6313	88.55	185	270	93	92.2	91.5	92	91	90.5	74	B	
MPC-67W	364T	60	140	70	435	700	870/435	230	460	230/460	1780	1800	93.6	0.86	G	165	82.5	1475	1500	92	0.9	F	730	6313/6313	177.55	180	255	93.6	93.4	93	86	86	80	357.5	B	
MPC-67W	364T	60	-	-	56.0	348	348	575	575	1780/1800	1780	1800	93.6	0.86	G	165	82.5	1475	1500	92	0.9	F	730	6313/6313	177.55	180	255	93.6	93.4	93	86	86	80	357.5	B	
MPC-68W	404T	60	136	68	435	680	870/435	230	460	230/460	1180	1200	93.6	0.90	G	163	81.5	980	1000	92	0.91	F	950	6315/6314	266	190	230	93.6	93.7	93.4	90	88	82	952	B	
MPC-68W	404T	60	-	-	54.4	348	348	575	575	1180/1200	1180	1200	93.6	0.90	G	163	81.5	980	1000	92	0.91	F	950	6315/6314	266	190	230	93.6	93.7	93.4	90	88	82	952	B	
MPC-71W	355T	75	165	82.5	542	825	1084/542	230	460	230/460	3560	3600	93	0.92	G	200	100	2945	3000	91.4	0.93	F	774	6313/6313	110.7	190	275	93	92.4	92	92	91.5	90	92.3	B	
MPC-71W	355T	75	-	-	66.0	433.6	433.6	575	575	3560/3600	3560	3600	93	0.92	G	200	100	2945	3000	91.4	0.93	F	774	6313/6313	110.7	190	275	93	92.4	92	92	91.5	90	92.3	B	
MPC-72W	355T	75	177.2	88.6	542	886	1084/542	230	460	230/460	1780	1800	94.1	0.86	G	206	103	1470	1500	92	0.9	F	774	6313/6313	222	175	230	94.1	93.5	93.2	86	87	83	440	B	
MPC-72W	355T	75	-	-	70.9	433.6	433.6	575	575	1780/1800	1780	1800	94.1	0.86	G	206	103	1470																		

MAX MOTION W SERIES EPACT NEMA 12-11 EFFICIENCY PERFORMANCE DATA

MFC CAT #	FRAME	HP	60 Hz										50 Hz										NET WT. LBS.	DE/ODE BRG	TORQUE			EFFICIENCY			POWER FACTOR			RO- TOR WK ²	MAX WK ²	GREASE	PAINT	NEMA EFFICIENCY APPROVAL	CONNECTION DIAGRAM
			FLA 230V	FLA 460V	460V L.R. AMPS	FLA 575 OR 460 AMPS	L.R. AMPS	LOW VOLTAGE	HIGH VOLTAGE	VOLTAGE	RPM	RPM	EFF. (%)	P.F.	CODE	FLA 190V	FLA 380V	RPM	RPM	EFF. (%)	P.F.	CODE			FULL LOAD	LOCKED ROTOR	BREAK DOWN	FULL LOAD	% LOAD	% LOAD	% LOAD	FULL LOAD	% LOAD						
MFC-76W	405TS	100	218	109	725	109.0	1450/725	230	460	230/460	3560	3600	93.6	0.92	G	266	133	2950/3000	92.1	0.93	F	1042	6314/6314	147.22	200	280	93.6	93.5	93.1	92	93	90	119.6	B					
MFC-76W	405TS	100	-	-	87.2	580	NA	NA	575	575	3560	3600	93.6	0.92	G	NA	NA	NA	NA	NA	NA	1042	6314/6314	147.22	200	280	93.6	93.5	93.1	92	93	90	119.6	E					
MFC-77W	405T	100	227	113.5	725	113.5	1450/725	230	460	230/460	1780	1800	94.5	0.88	G	270	135	1470/1500	93	0.91	F	1063	6314/6314	295.12	190	220	94.5	94.3	93.9	88	88	82.1	573.3	B					
MFC-77W	405T	100	-	-	90.8	580	NA	NA	575	575	1780	1800	94.5	0.88	G	NA	NA	NA	NA	NA	NA	1063	6314/6314	295.12	190	220	94.5	94.3	93.9	88	88	82.1	573.3	E					
MFC-78W	444T	100	-	113	725	113.0	725	NA	460	460	1180	1200	94.1	0.89	G	NA	135	980/1000	92.5	0.9	F	1315	6314/6314	445.2	195	210	94.1	94	93.4	89	88	81	1560	C					
MFC-78W	444T	100	-	-	90.4	580	NA	NA	575	575	1180	1200	94.1	0.89	G	NA	NA	NA	NA	NA	NA	1315	6314/6314	445.2	195	210	94.1	94	93.4	89	88	81	1560	E					
MFC-81W	444TS	125	135	907	135.0	907	NA	460	460	460	3565	3600	94.5	0.92	G	NA	165	2950/3000	93	0.93	F	1247	6314/6314	183.8	195	290	94.5	94	93.2	92	93	90	135.6	C					
MFC-81W	444TS	125	-	-	108.0	725.6	NA	575	575	575	3565	3600	94.5	0.92	G	NA	NA	NA	NA	NA	NA	1247	6314/6314	183.8	195	290	94.5	94	93.2	92	93	90	135.6	E					
MFC-82W	444T	125	147	907	147.0	907	NA	460	460	460	1780	1800	94.5	0.85	G	NA	175	1470/1500	93.2	0.87	F	1364	6314/6314	368.93	180	240	94.5	94.4	94.1	85	88	84	650.4	C					
MFC-82W	444T	125	-	-	117.6	725.6	NA	575	575	575	1780	1800	94.5	0.85	G	NA	NA	NA	NA	NA	NA	1364	6314/6314	368.93	180	240	94.5	94.4	94.1	85	88	84	650.4	E					
MFC-83W	445T	125	141	907	141.0	907	NA	460	460	460	1180	1200	94.1	0.89	G	NA	170	980/1000	92.5	0.9	F	1443	6314/6314	556.51	190	200	94.1	94.1	93.5	89	88	83	1742.4	C					
MFC-83W	445T	125	-	-	112.8	725.6	NA	575	575	575	1180	1200	94.1	0.89	G	NA	NA	NA	NA	NA	NA	1443	6314/6314	556.51	190	200	94.1	94.1	93.5	89	88	83	1742.4	E					
MFC-86W	445TS	150	162	1085	162.0	1085	NA	460	460	460	3570	3600	94.5	0.92	G	NA	197	2955/3000	93	0.93	F	1408	6314/6314	220.45	190	250	94.5	94	93.3	92	93	90	159.6	C					
MFC-86W	445TS	150	-	-	129.6	868	NA	575	575	575	3570	3600	94.5	0.92	G	NA	NA	NA	NA	NA	NA	1408	6314/6314	220.45	190	250	94.5	94	93.3	92	93	90	159.6	E					
MFC-87W	445T	150	171	1085	171.0	1085	NA	460	460	460	1780	1800	95	0.87	G	NA	205	1475/1500	93.5	0.89	F	1694	6314/6314	442.74	170	220	95	94.6	94.2	87	90	87	768	C					
MFC-87W	445T	150	-	-	136.8	868	NA	575	575	575	1780	1800	95	0.87	G	NA	NA	NA	NA	NA	NA	1694	6314/6314	442.74	170	220	95	94.6	94.2	87	90	87	768	E					
MFC-88W	447T	150	165	1085	165.0	1085	NA	460	460	460	1180	1200	95	0.90	G	NA	198	980/1000	93.4	0.91	F	1678	6314/6314	667.8	190	200	95	94.5	94	90	88	81	2100	C					
MFC-88W	447T	150	-	-	132.0	868	NA	575	575	575	1180	1200	95	0.90	G	NA	NA	NA	NA	NA	NA	1678	6314/6314	667.8	190	200	95	94.5	94	90	88	81	2100	E					
MFC-96W	447TS	200	213	1450	213.0	1450	NA	460	460	460	3570	3600	95	0.93	G	NA	260	2955/3000	93.5	0.94	F	1584	6314/6314	294	185	220	95	94.4	94	93	94	93	206.4	C					
MFC-96W	447TS	200	-	-	170.4	1160	NA	575	575	575	3570	3600	95	0.93	G	NA	NA	NA	NA	NA	NA	1584	6314/6314	294	185	220	95	94.4	94	93	94	93	206.4	E					
MFC-97W	447T	200	218	1450	218.0	1450	NA	460	460	460	1780	1800	95	0.91	G	NA	262	1475/1500	93.5	0.93	F	1782	6314/6314	590.25	190	230	95	94.7	94.3	91	93	90.5	997.2	C					
MFC-97W	447T	200	-	-	174.4	1160	NA	575	575	575	1780	1800	95	0.91	G	NA	NA	NA	NA	NA	NA	1782	6314/6314	590.25	190	230	95	94.7	94.3	91	93	90.5	997.2	E					
MFC-98W	449T	200	220	1450	220.0	1450	NA	460	460	460	1180	1200	95	0.90	G	NA	264	980/1000	93.4	0.91	F	2024	6314/6314	890	200	210	95	94.6	94	90	87	80	2690	C					
MFC-98W	449T	200	-	-	176.0	1160	NA	575	575	575	1180	1200	95	0.90	G	NA	NA	NA	NA	NA	NA	2024	6314/6314	890	200	210	95	94.6	94	90	87	80	2690	E					
MFC-101W	449TS	250	266	1825	266.0	1825	NA	460	460	460	3570	3600	95.4	0.93	G	NA	323	2955/3000	93.9	0.94	F	1870	6314/6314	367.5	180	220	95.4	95.1	94.8	93	94	93	252	C					
MFC-101W	449TS	250	-	-	212.8	1460	NA	575	575	575	3570	3600	95.4	0.93	G	NA	NA	NA	NA	NA	NA	1870	6314/6314	367.5	180	220	95.4	95.1	94.8	93	94	93	252	E					
MFC-102W	449T	250	270	1825	270.0	1825	NA	460	460	460	1780	1800	95	0.91	G	NA	325	1475/1500	93.5	0.92	F	2120	6314/6314	736	185	220	95	94.5	94	91	89	80	1230	C					
MFC-102W	449T	250	-	-	216.0	1460	NA	575	575	575	1780	1800	95	0.91	G	NA	NA	NA	NA	NA	NA	2120	6314/6314	736	185	220	95	94.5	94	91	89	80	1230	E					

MECHANICAL DIMENSIONS

MAX MOTION EPACT SERIES W AND PREMIUM



DIMENSIONS IN INCHES

FRAME	E	2F	AB	H	BA	AA	A	B	C	D	G	J	O	P	R	S	T	V	ES	N-W	U
143T	2.75	4.00	6.10	0.34	2.25	3/4	7.00	5.2	12.60	3.50	0.5		7.10	6.95	0.77	0.19	0.00	2.00	1.41	2.25	0.88
145T	2.75	5.00	6.10	0.34	2.25	3/4	7.00	6.2	13.60	3.50	0.5		7.10	6.95	0.77	0.19	0.00	2.00	1.41	2.25	0.88
182T	3.75	4.50	7.50	0.41	2.75	3/4	9.50	7.3(6.3)	16.1(15.1)	4.50	0.7		9.10	8.70	0.99	0.25	1.60	2.50	1.78	2.75	1.13
184T	3.75	5.50	7.50	0.41	2.75	3/4	9.50	8.3(7.3)	17.1(16.1)	4.50	0.7		9.10	8.70	0.99	0.25	1.60	2.50	1.78	2.75	1.13
213T	4.25	5.50	8.30	0.41	3.50	1	11.00	7.9	18.90	5.25	0.8		10.50	10.20	1.20	0.31	1.90	3.12	2.41	3.38	1.38
215T	4.25	7.00	8.30	0.41	3.50	1	11.00	9.4	20.40	5.25	0.8		10.50	10.20	1.20	0.31	1.90	3.12	2.41	3.38	1.38
254T	5.00	8.25	10.10	0.53	4.25	1 1/4	13.00	12.2(10.4)	25(23.2)	6.25	0.8		13.00	12.40	1.42	0.38	2.20	3.75	2.91	4.00	1.63
256T	5.00	10.00	10.10	0.53	4.25	1 1/4	13.00	12.2	25.00	6.25	0.8		13.00	12.40	1.42	0.38	2.20	3.75	2.91	4.00	1.63
284T	5.50	9.50	11.30	0.53	4.75	1 1/2	14.00	13.2(11.7)	28.1(26.6)	7.00	0.8		14.50	14.00	1.59	0.50	2.20	4.38	3.28	4.62	1.88
284TS	5.50	9.50	11.30	0.53	4.75	1 1/2	14.00	13.2(11.7)	26.7(25.2)	7.00	0.8		14.50	14.00	1.42	0.38	2.20	3.00	1.91	3.25	1.63
286T	5.50	11.00	11.30	0.53	4.75	1 1/2	14.00	13.2	28.10	7.00	0.8		14.50	14.00	1.59	0.50	2.20	4.38	3.28	4.62	1.88
286TS	5.50	11.00	11.30	0.53	4.75	1 1/2	14.00	13.2	26.70	7.00	0.8		14.50	14.00	1.42	0.38	2.20	3.00	1.91	3.25	1.63
324T	6.25	10.50	12.30	0.66	5.25	2	15.50	14.7(13.2)	31.3(29.8)	8.00	1.0		15.90	15.70	1.85	0.50	2.60	5.00	3.91	5.25	2.13
324TS	6.25	10.50	12.30	0.66	5.25	2	15.50	14.7(13.2)	29.8(28.3)	8.00	1.0		15.90	15.70	1.59	0.50	2.60	3.50	2.03	3.75	1.88
326T	6.25	12.00	12.30	0.66	5.25	2	15.50	14.7	31.30	8.00	1.0		15.90	15.70	1.85	0.50	2.60	5.00	3.91	5.25	2.13
326TS	6.25	12.00	12.30	0.66	5.25	2	15.50	14.7	29.80	8.00	1.0		15.90	15.70	1.59	0.50	2.60	3.50	2.03	3.75	1.88
364T	7.00	11.25	14.60	0.66	5.88	3	17.10	15.4(14.4)	33.5(32.5)	9.00	1.1		18.10	17.60	2.02	0.63	2.60	5.62	4.28	5.88	2.38
364TS	7.00	11.25	14.60	0.66	5.88	3	17.10	15.4(14.4)	31.4(30.4)	9.00	1.1		18.10	17.60	1.59	0.50	2.60	3.50	2.03	3.75	1.88
365T	7.00	12.25	14.60	0.66	5.88	3	17.10	15.4	33.50	9.00	1.1		18.10	17.60	2.02	0.63	2.60	5.62	4.28	5.88	2.38
365TS	7.00	12.25	14.60	0.66	5.88	3	17.10	15.4	31.40	9.00	1.1		18.10	17.60	1.59	0.50	2.60	3.50	2.03	3.75	1.88
404T	8.00	12.25	15.60	0.81	6.62	3	19.30	17.9(16.4)	38.2(36.7)	10.0	1.2		19.80	19.10	2.45	0.75	3.00	7.00	5.65	7.25	2.88
404TS	8.00	12.25	15.60	0.81	6.62	3	19.30	17.9(16.4)	35.2(33.7)	10.0	1.2		19.80	19.10	1.85	0.50	3.00	4.00	2.78	4.25	2.13
405T	8.00	13.75	15.60	0.81	6.62	3	19.30	17.9	38.20	10.0	1.2		19.80	19.10	2.45	0.75	3.00	7.00	5.65	7.25	2.88
405TS	8.00	13.75	15.60	0.81	6.62	3	19.30	17.9	35.20	10.0	1.2		19.80	19.10	1.85	0.50	3.00	4.00	2.78	4.25	2.13
444T	9.00	14.50	16.60	0.81	7.50	3	21.70	22.9	44.30	11.0	1.3		22.10	21.60	2.88	0.88	3.00	8.25	6.91	8.50	3.38
444TS	9.00	14.50	16.60	0.81	7.50	3	21.70	22.9	40.60	11.0	1.3		22.10	21.60	2.02	0.63	3.00	4.50	3.03	4.75	2.38
445T	9.00	16.50	16.60	0.81	7.00	3	21.70	26.4(22.9)	47.8(44.3)	11.0	1.3		22.10	21.60	2.88	0.88	3.00	8.25	6.91	8.50	3.38
445TS	9.00	16.50	16.60	0.81	7.50	3	21.70	26.4(22.9)	44.1(40.6)	11.0	1.3		22.10	21.60	2.02	0.63	3.00	4.50	3.03	4.75	2.38
447T	9.00	20.00	16.60	0.81	7.50	3	21.70	26.4	47.80	11.0	1.3		22.10	21.60	2.88	0.88	3.00	8.25	6.91	8.50	3.38
447TS	9.00	20.00	16.60	0.81	7.50	3	21.70	26.4	44.10	11.0	1.3		22.10	21.60	2.02	0.63	3.00	4.50	3.03	4.75	2.38
449T	9.00	25.00	16.60	0.81	7.50	3	21.70	31.4	52.80	11.0	1.3		22.10	21.60	2.88	0.88	3.00	8.25	6.91	8.50	3.38
449TS	9.00	25.00	16.60	0.81	7.50	3	21.70	31.4	49.10	11.0	1.3		22.10	21.60	2.02	0.63	3.00	4.50	3.03	4.75	2.38

10

PERFORMANCE DATA SHEET

NEMA PREMIUM NR CAN NEMA 12 - 12

CATALOGUE #: MQP-22

HP	KW	FRAME	ENCLOSURE	VOLTAGE	L.R. AMPS	DESIGN
5	3.73	184T	TEFC	230/60	92/46	B

60 HZ AT 1.15 S.F.

FLA		SYNC. RPM	F.L. RPM	EFF.	P.F.	CODE
230V	460V					
12.6	6.3	1800	1745	89.5%	0.85	J

50 HZ AT 1.0 S.F.

FLA		SYNC. RPM	F.L. RPM	EFF.	P.F.	CODE
190V	380V					
15.2	7.6	1500	1440	87.5%	0.86	H

WGT. LBS	PH	DUTY	INSL	AMB	ELEVATION
112	3	CONTINUOUS	F	40	3300 ft

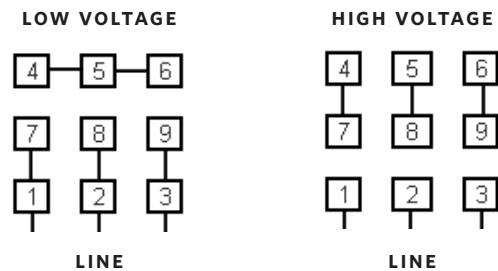
% EFFICIENCY	% POWER FACTOR	TORQUE
FULL LOAD: 89.5	FULL LOAD: 85	FULL LOAD LBS - FT; 15
¾ LOAD: 89.8	¾ LOAD: 82	LOCKED ROTOR %: 240
½ LOAD: 89.0	½ LOAD: 70	BREAK DOWN %: 290

ROTOR INERTIA WK2	MAX LOAD INERTIA WK2	SHAFT MATERIAL	FRAME MATERIAL	DE BRACKET TYPE	ODE BRACKET TYPE	SEVERE DUTY
0.24	40	STANDARD	CAST IRON	STD	STD	IP55

BALL BEARINGS DE/ODE	GREASE	MOUNT TYPE	ORIENTATION	PAINT
6306/6306	SEALED BEARINGS	RIGID	HORIZONTAL	GREEN

WIRING CONNECTION DIAGRAM: A

143T - 184T DUAL VOLTAGE DOL 9 LEADS WYE CONNECTION



PERFORMANCE DATA SHEET

NEMA PREMIUM NR CAN NEMA 12 - 12

CATALOGUE #: MQP-47

HP	KW	FRAME	ENCLOSURE	VOLTAGE	L.R. AMPS	DESIGN
25	18.66	284T	TEFC	230/460	364/182	B

60 HZ AT 1.15 S.F.

FLA		SYNC. RPM	F.L. RPM	EFF.	P.F.	CODE
230V	460V					
57	28.5	1800	1760	93.6%	0.9	G

50 HZ AT 1.0 S.F.

FLA		SYNC. RPM	F.L. RPM	EFF.	P.F.	CODE
190V	380V					
68.0	34	1500	1460	92.3%	0.91	F

WGT. LBS	PH	DUTY	INSL	AMB	ELEVATION
392	3	CONTINUOUS	F	40	3300 ft

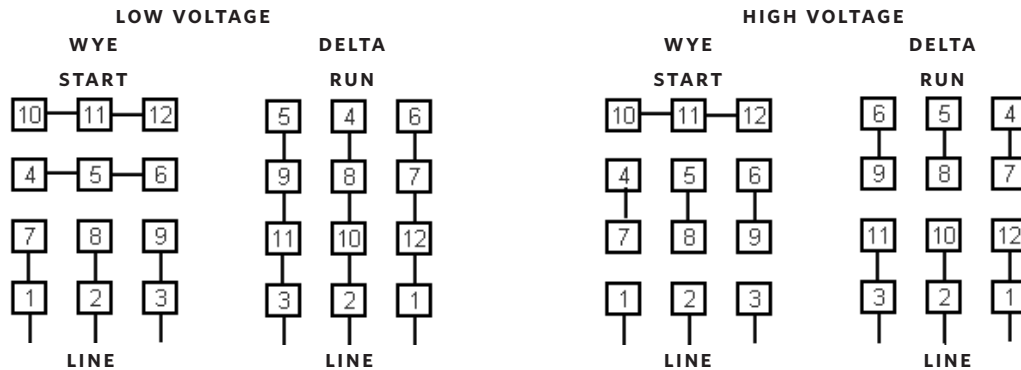
% EFFICIENCY	% POWER FACTOR	TORQUE
FULL LOAD: 93.6	FULL LOAD: 90	FULL LOAD LBS - FT; 74.3
¾ LOAD: 93	¾ LOAD: 87	LOCKED ROTOR %: 180
½ LOAD: 92.6	½ LOAD: 77	BREAK DOWN %: 260

ROTOR INERTIA WK2	MAX LOAD INERTIA WK2	SHAFT MATERIAL	FRAME MATERIAL	DE BRACKET TYPE	ODE BRACKET TYPE	SEVERE DUTY
3.80	180	STANDARD	CAST IRON	STD	STD	IP55

BALL BEARINGS DE/ODE	GREASE	MOUNT TYPE	ORIENTATION	PAINT
6311/6311	MOBIL POLYREXEM	RIGID	HORIZONTAL	GREEN

WIRING CONNECTION DIAGRAM: B

213T - 405T DUAL VOLTAGE 12 LEADS CONNECTION



12

PERFORMANCE DATA SHEET

NEMA PREMIUM NR CAN NEMA 12 - 12

CATALOGUE #: MQP-78

HP	KW	FRAME	ENCLOSURE	VOLTAGE	L.R. AMPS	DESIGN
100	74.63	444T	TEFC	460	725	B

60 HZ AT 1.15 S.F.

FLA		SYNC. RPM	F.L. RPM	EFF.	P.F.	CODE
230V	460V					
NA	113	1200	1185	95.0%	0.88	G

50 HZ AT 1.0 S.F.

FLA		SYNC. RPM	F.L. RPM	EFF.	P.F.	CODE
190V	380V					
NA	135	1000	985	93.5%	0.89	F

WGT. LBS	PH	DUTY	INSL	AMB	ELEVATION
1320	3	CONTINUOUS	F	40	3300 ft

% EFFICIENCY	% POWER FACTOR	TORQUE
FULL LOAD: 95	FULL LOAD: 88	FULL LOAD LBS - FT: 442.5
¾ LOAD: 94.2	¾ LOAD: 85	LOCKED ROTOR %: 190
½ LOAD: 93.5	½ LOAD: 78	BREAK DOWN %: 210

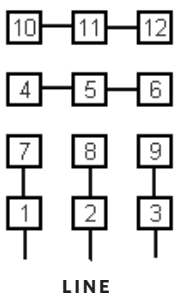
ROTOR INERTIA WK2	MAX LOAD INERTIA WK2	SHAFT MATERIAL	FRAME MATERIAL	DE BRACKET TYPE	ODE BRACKET TYPE	SEVERE DUTY
80.68	1610	STANDARD	CAST IRON	STD	STD	IP55

BALL BEARINGS DE/ODE	GREASE	MOUNT TYPE	ORIENTATION	PAINT
NU6319/318	MOBIL POLYREXEM	RIGID	HORIZONTAL	GREEN

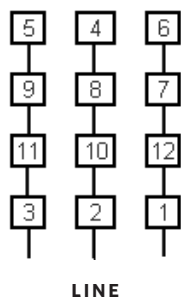
WIRING CONNECTION DIAGRAM: C

444T - 449T SINGLE VOLTAGE 12 LEADS CONNECTION 460 VAC 3 PHASE

WYE START



DELTA RUN



PERFORMANCE DATA SHEET

NEMA PREMIUM NR CAN NEMA 12 - 12

CATALOGUE #: MPP-22

HP	KW	FRAME	ENCLOSURE	VOLTAGE	L.R. AMPS	DESIGN
5	3.73	184T	TEFC	575	36.8	B

60 HZ AT 1.15 S.F.

FLA		SYNC. RPM	F.L. RPM	EFF.	P.F.	CODE
230V	460V					
NA	5.04	1800	1745	89.5%	0.85	J

50 HZ AT 1.0 S.F.

FLA		SYNC. RPM	F.L. RPM	EFF.	P.F.	CODE
190V	380V					
NA	NA	NA	NA	NA	NA	NA

WGT. LBS	PH	DUTY	INSL	AMB	ELEVATION
112	3	CONTINUOUS	F	40	3300 ft

% EFFICIENCY	% POWER FACTOR	TORQUE
FULL LOAD: 89.5	FULL LOAD: 85	FULL LOAD LBS - FT: 15
¾ LOAD: 89.8	¾ LOAD: 82	LOCKED ROTOR %: 240
½ LOAD: 89.0	½ LOAD: 70	BREAK DOWN %: 290

ROTOR INERTIA WK2	MAX LOAD INERTIA WK2	SHAFT MATERIAL	FRAME MATERIAL	DE BRACKET TYPE	ODE BRACKET TYPE	SEVERE DUTY
0.24	40	STANDARD	CAST IRON	STD	STD	IP55

BALL BEARINGS DE/ODE	GREASE	MOUNT TYPE	ORIENTATION	PAINT
6306/6306	SEALED BEARINGS	RIGID	HORIZONTAL	GREEN

WIRING CONNECTION DIAGRAM: D

143T - 184T 575V SINGLE VOLTAGE DOL 3 LEADS WYE CONNECTION 575 VAC 3 PHASE



LINE

14

PERFORMANCE DATA SHEET

NEMA PREMIUM NR CAN NEMA 12 - 12

CATALOGUE #: MPC-47W

HP	KW	FRAME	ENCLOSURE	VOLTAGE	L.R. AMPS	DESIGN
25	18.66	284T	TEFC	575	145.6	B

60 HZ AT 1.15 S.F.

FLA		SYNC. RPM	F.L. RPM	EFF.	P.F.	CODE
230V	460V					
NA	24	1800	1760	92.4%	0.85	G

50 HZ AT 1.0 S.F.

FLA		SYNC. RPM	F.L. RPM	EFF.	P.F.	CODE
190V	380V					
NA	NA	NA	NA	NA	NA	NA

WGT. LBS	PH	DUTY	INSL	AMB	ELEVATION
372	3	CONTINUOUS	F	40	3300 ft

% EFFICIENCY	% POWER FACTOR	TORQUE
FULL LOAD: 92.4	FULL LOAD: 85	FULL LOAD LBS - FT; 74.3
¾ LOAD: 91.7	¾ LOAD: 84	LOCKED ROTOR %: 180
½ LOAD: 91.1	½ LOAD: 75	BREAK DOWN %: 260

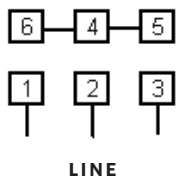
ROTOR INERTIA WK2	MAX LOAD INERTIA WK2	SHAFT MATERIAL	FRAME MATERIAL	DE BRACKET TYPE	ODE BRACKET TYPE	SEVERE DUTY
0.00	170.8	STANDARD	CAST IRON	STD	STD	IP55

BALL BEARINGS DE/ODE	GREASE	MOUNT TYPE	ORIENTATION	PAINT
6311/6311	MOBIL POLYREXEM	RIGID	HORIZONTAL	BLUE

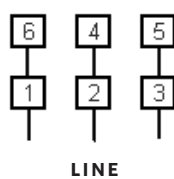
WIRING CONNECTION DIAGRAM: E

213T - 449T SINGLE VOLTAGE 6 LEADS CONNECTION 575 VAC 3 PHASE

WYE START



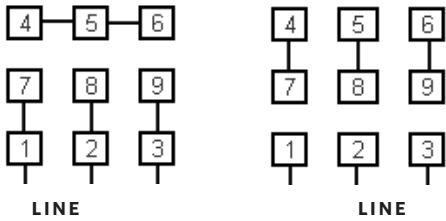
DELTA RUN



CONNECTION DIAGRAM

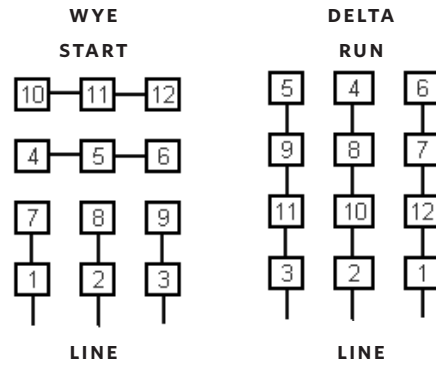
A 143T - 184T DUAL VOLTAGE

LOW VOLTAGE **HIGH VOLTAGE**
DIRECT ONLINE STARTING WYE CONNECTION



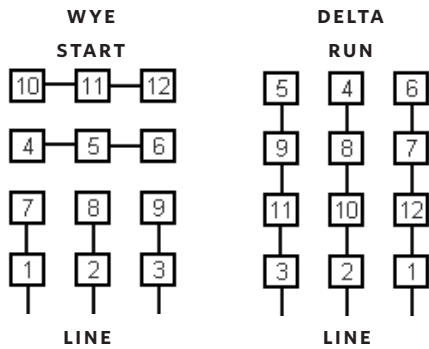
C 444T - 449T SINGLE VOLTAGE

460V



B 213T - 405T DUAL VOLTAGE

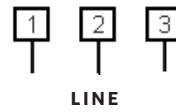
LOW VOLTAGE



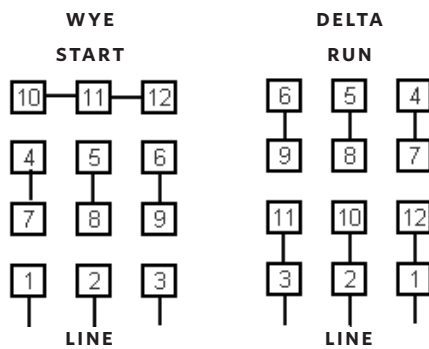
D 143T - 184T SINGLE VOLTAGE

575V

DIRECT ONLINE STARTING
WYE CONNECTION

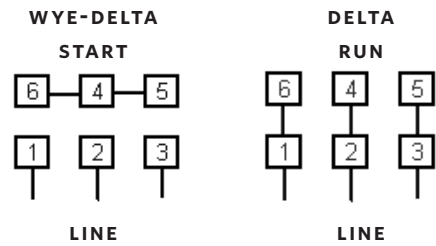


HIGH VOLTAGE



E 213T - 449T SINGLE VOLTAGE

575V



TORONTO

23 BERTRAND AVENUE
TORONTO, ONTARIO
CANADA
M1L 2P3
+1 416 755 2291

BUFFALO

93 EAST AVENUE
NORTH TONAWANDA, NEW YORK
U.S.A.
14120-6594
+1 716 693 8813

BIRMINGHAM

HEYWOOD WHARF, MUCKLOW HILL
HALESOWEN, WEST MIDLANDS
UNITED KINGDOM
B62 8DJ
+44 (0) 8444 145 145

MANCHESTER

WENLOCK WAY
MANCHESTER
UNITED KINGDOM
M12 5JL
+44 (0) 8444 145 145

BANGALORE

#59, FIRST FLOOR, 3RD MAIN
MARGOSA ROAD, MALLESWARAM
BANGALORE, INDIA
560 003
+91 (0) 80 4906 3555

SHANGHAI

NO. 1619 HU HANG ROAD, XI DU TOWNSHIP
FENG XIAN DISTRICT, SHANGHAI
P.R.C.
201401
+86 21 3756 6696

ARMSTRONG INTEGRATED
ESTABLISHED 1934

ARMSTRONGINTEGRATED.COM

**MAKING
ENERGY
MAKE
SENSE™**