

## Enhanced Surface U Tube Heat Exchangers

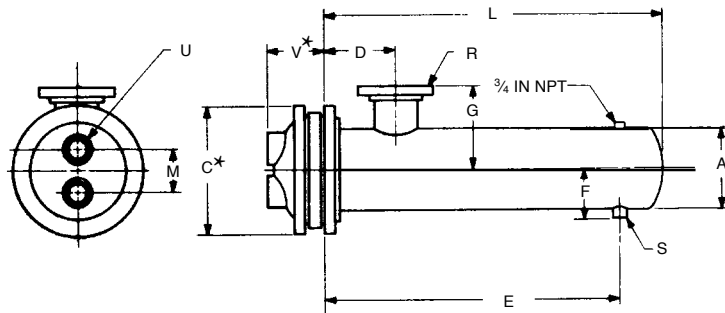
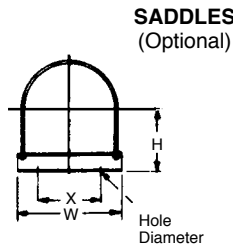
6" DIAMETER STEAM

SUPERSEDES: August 1, 2006

EFFECTIVE: April 30, 2018

Job: \_\_\_\_\_

Item No.	Model No.	Pass	GPM Tubes	Temp. In	Temp. Out	Steam Pressure Shell	Pressure Drop Tubes	Velocity Tubes



DIMENSIONS: 6 Inch Diameter



Model Number	Cast Iron Heads		Dimensions (inches)									Heating Surface (sq. ft.)	Shipping Weight (lbs)
	M	U	A	C*	D	E	F	G	L	R	S		
E6204S	4	2T	6 <sup>5</sup> / <sub>8</sub>	11	5	18 <sup>1</sup> / <sub>2</sub>	4 <sup>7</sup> / <sub>8</sub>	4 <sup>7</sup> / <sub>8</sub>	25	1 <sup>1</sup> / <sub>2</sub> T	1T	9.1	120
E6206S	4	2T	6 <sup>5</sup> / <sub>8</sub>	11	5	30 <sup>1</sup> / <sub>2</sub>	4 <sup>7</sup> / <sub>8</sub>	4 <sup>7</sup> / <sub>8</sub>	37	2T	1T	14.2	148
E6208S	4	2T	6 <sup>5</sup> / <sub>8</sub>	11	5	42 <sup>1</sup> / <sub>2</sub>	4 <sup>7</sup> / <sub>8</sub>	5 <sup>3</sup> / <sub>4</sub>	49	2 <sup>1</sup> / <sub>2</sub> T	1T	19.3	182
E6210S	4	2T	6 <sup>5</sup> / <sub>8</sub>	11	5	54 <sup>1</sup> / <sub>2</sub>	4 <sup>7</sup> / <sub>8</sub>	5 <sup>3</sup> / <sub>4</sub>	61	2 <sup>1</sup> / <sub>2</sub> T	1T	24.4	207
E6212S	4	2T	6 <sup>5</sup> / <sub>8</sub>	11	5	66 <sup>1</sup> / <sub>2</sub>	4 <sup>7</sup> / <sub>8</sub>	5 <sup>9</sup> / <sub>16</sub>	73	3T	1T	29.5	235
E6214S	4	2T	6 <sup>5</sup> / <sub>8</sub>	11	5	78 <sup>1</sup> / <sub>2</sub>	4 <sup>7</sup> / <sub>8</sub>	5 <sup>9</sup> / <sub>16</sub>	85	3T	1T	34.6	262
E6216S	4	2T	6 <sup>5</sup> / <sub>8</sub>	11	5	90 <sup>1</sup> / <sub>2</sub>	4 <sup>7</sup> / <sub>8</sub>	5 <sup>9</sup> / <sub>16</sub>	97	3T	1T	39.7	290
E6218S	4	2T	6 <sup>5</sup> / <sub>8</sub>	11	5	102 <sup>1</sup> / <sub>2</sub>	4 <sup>7</sup> / <sub>8</sub>	5 <sup>9</sup> / <sub>16</sub>	109	3T	1T	44.8	318
E6220S	4	2T	6 <sup>5</sup> / <sub>8</sub>	11	5	114 <sup>1</sup> / <sub>2</sub>	4 <sup>7</sup> / <sub>8</sub>	5 <sup>9</sup> / <sub>16</sub>	121	3T	1T	49.9	346

SADDLE DIMENSIONS: H-6<sup>5</sup>/<sub>16</sub>; W-9<sup>1</sup>/<sub>4</sub>; X-7<sup>1</sup>/<sub>2</sub>; Hole Dia.-<sup>5</sup>/<sub>8</sub>.

MATERIALS OF CONSTRUCTION (Unless otherwise indicated, standard will be furnished.)

\* When choosing any option with fabricated head type, refer to submittal 201-022 for head dimensions. Fabricated heads will feature flanged connections.

	Standard
Shell	Steel
Head	Cast Iron 4-10" Fabricated Steel 12-30"
Tubes	3/4 x 20 BWG Copper
Tube Sheet	Steel
Separators	Steel
Working Pressure	150 PSIG (ASME)
Max. Temperature	375°F

Optional
304ss, 316ss
* Cast Bronze, Fabricated Steel, Fabricated 304ss/316ss
Fabricated 304ss/316ss
3/4 x 18 BWG Copper, Steel, 304ss, 316ss, 90/10 Cu Ni
Brass, 304ss, 316ss, 90/10 Cu Ni
Brass, 304ss, 316ss, 90/10 Cu Ni
Consult Factory
Consult Factory

All dimensions shown are subject to change and should not be used for pre-piping. Contact your local Taco representative should certified dimensional drawings be required.

