

Enhanced Surface U Tube Heat Exchangers

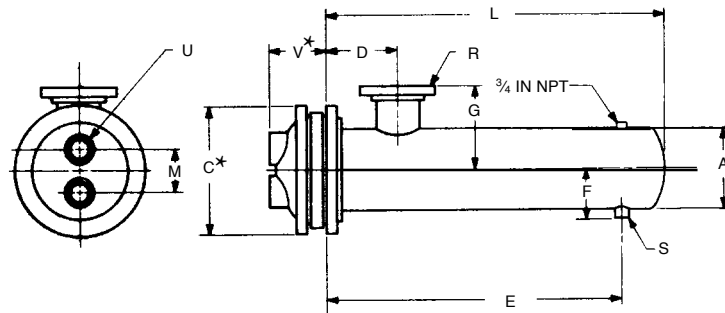
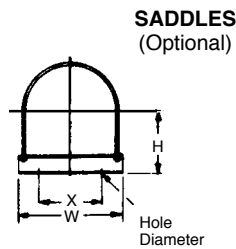
8" DIAMETER STEAM

SUPERSEDES: August 1, 2006

EFFECTIVE: April 30, 2018

Job: _____

Item No.	Model No.	Pass	GPM Tubes	Temp. In	Temp. Out	Steam Pressure Shell	Pressure Drop Tubes	Velocity Tubes



DIMENSIONS: 8 Inch Diameter

Model Number	Cast Iron Heads		Dimensions (inches)									Heating Surface (sq. ft.)	Shipping Weight (lbs)
	M	U	A	C*	D	E	F	G	L	R	S		
E8204S	5	3T	8 ⁵ / ₈	13 ¹ / ₂	8	18	6	6	24	2T	1T	16.3	192
E8206S	5	3T	8 ⁵ / ₈	13 ¹ / ₂	8	30	6	6 ⁷ / ₈	36	2 ¹ / ₂ T	1T	25.8	234
E8208S	5	3T	8 ⁵ / ₈	13 ¹ / ₂	8	42	6	6 ¹³ / ₁₆	48	3T	1T	35.2	283
E8210S	5	3T	8 ⁵ / ₈	13 ¹ / ₂	8	54	6	8 ⁷ / ₈	60	4F	1T	44.6	326
E8212S	5	3T	8 ⁵ / ₈	13 ¹ / ₂	8	66	6	8 ⁷ / ₈	72	4F	1 ¹ / ₄ T	54.0	369
E8214S	5	3T	8 ⁵ / ₈	13 ¹ / ₂	8	78	6	8 ⁷ / ₈	84	4F	1 ¹ / ₄ T	63.4	390
E8216S	5	3T	8 ⁵ / ₈	13 ¹ / ₂	8	90	6	8 ⁷ / ₈	96	6F	1 ¹ / ₄ T	72.9	453
E8218S	5	3T	8 ⁵ / ₈	13 ¹ / ₂	8	102	6	8 ⁷ / ₈	108	6F	1 ¹ / ₄ T	82.3	496
E8220S	5	3T	8 ⁵ / ₈	13 ¹ / ₂	8	114	6	8 ⁷ / ₈	120	6F	1 ¹ / ₄ T	91.7	540

SADDLE DIMENSIONS: H-7⁵/₁₆; W-11¹/₄; X-9; Hole Dia.-⁵/₈.

MATERIALS OF CONSTRUCTION (Unless otherwise indicated, standard will be furnished.)

* When choosing any option with fabricated head type, refer to submittal 201-022 for head dimensions. Fabricated heads will feature flanged connections.

	Standard	Optional
Shell	Steel	304ss, 316ss
Head	Cast Iron 4-10" Fabricated Steel 12-30"	* Cast Bronze, Fabricated Steel, Fabricated 304ss/316ss Fabricated 304ss/316ss
Tubes	3/4 x 20 BWG Copper	3/4 x 18 BWG Copper, Steel, 304ss, 316ss, 90/10 Cu Ni
Tube Sheet	Steel	Brass, 304ss, 316ss, 90/10 Cu Ni
Separators	Steel	Brass, 304ss, 316ss, 90/10 Cu Ni
Working Pressure	150 PSIG (ASME)	Consult Factory
Max. Temperature	375°F	Consult Factory

All dimensions shown are subject to change and should not be used for pre-piping. Contact your local Taco representative should certified dimensional drawings be required.

