

Enhanced Surface U Tube Heat Exchangers

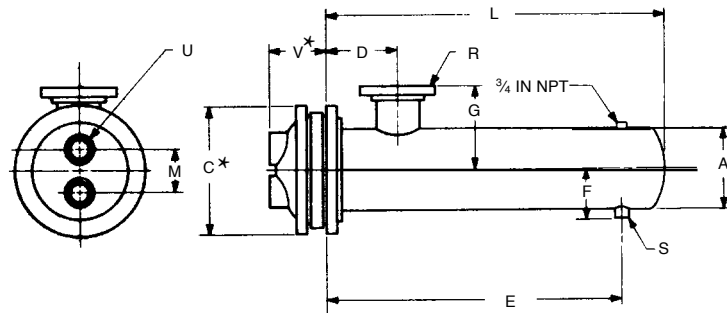
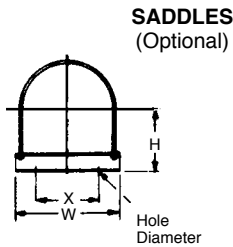
10" DIAMETER STEAM

SUPERSEDES: August 1, 2006

EFFECTIVE: April 30, 2018

Job: _____

Item No.	Model No.	Pass	GPM Tubes	Temp. In	Temp. Out	Steam Pressure Shell	Pressure Drop Tubes	Velocity Tubes



DIMENSIONS: 10 Inch Diameter



Model Number	Cast Iron Heads		Dimensions (inches)									Heating Surface (sq. ft.)	Shipping Weight (lbs)
	M	U	A	C*	D	E	F	G	L	R	S		
E10204S	6 ¹ / ₄	3T	10 ³ / ₄	16	8	17	7 ¹ / ₈	7 ¹⁵ / ₁₆	24	3T	1T	25.1	300
E10206S	6 ¹ / ₄	3T	10 ³ / ₄	16	8	29	7 ¹ / ₈	10	36	4F	1T	40.1	353
E10208S	6 ¹ / ₄	3T	10 ³ / ₄	16	8	41	7 ¹ / ₈	10	48	4F	1 ¹ / ₄ T	55.0	415
E10210S	6 ¹ / ₄	3T	10 ³ / ₄	16	8	53	7 ¹ / ₈	10	60	6F	1 ¹ / ₄ T	69.9	476
E10212S	6 ¹ / ₄	3T	10 ³ / ₄	16	8	65	7 ¹ / ₈	10	72	6F	1 ¹ / ₂ T	84.8	537
E10214S	6 ¹ / ₄	3T	10 ³ / ₄	16	8	77	7 ¹ / ₈	10	84	6F	1 ¹ / ₂ T	99.8	598
E10216S	6 ¹ / ₄	3T	10 ³ / ₄	16	8	88 ¹ / ₂	7 ¹ / ₈	10	96	6F	2T	114.7	660
E10218S	6 ¹ / ₄	3T	10 ³ / ₄	16	8	100 ¹ / ₂	7 ¹ / ₈	10	108	6F	2T	129.6	721
E10220S	6 ¹ / ₄	3T	10 ³ / ₄	16	8	112 ¹ / ₂	7 ¹ / ₈	10	120	6F	2T	144.5	782

SADDLE DIMENSIONS: H-8³/₈; W-13⁵/₈; X-10; Hole Dia. -³/₄

MATERIALS OF CONSTRUCTION (Unless otherwise indicated, standard will be furnished.)

* When choosing any option with fabricated head type, refer to submittal 201-022 for head dimensions. Fabricated heads will feature flanged connections.

All dimensions shown are subject to change and should not be used for pre-piping. Contact your local Taco representative should certified dimensional drawings be required.

