

Bell & Gossett NBF and SSF Circulating Pumps

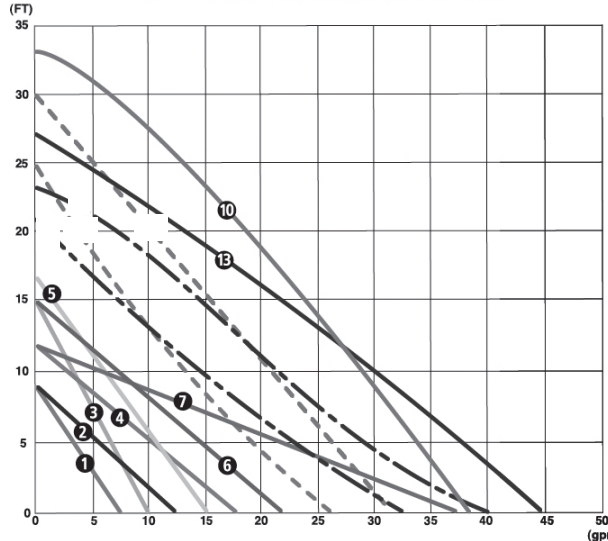


Bronze or Stainless Steel body construction circulating pumps for potable water.

Rated to 150 psi at 225° F. No oiling, System lubricated.

If needed, order pump flanges and fastener pack separately. See below.

All pumps are single-speed operating at RPM shown.

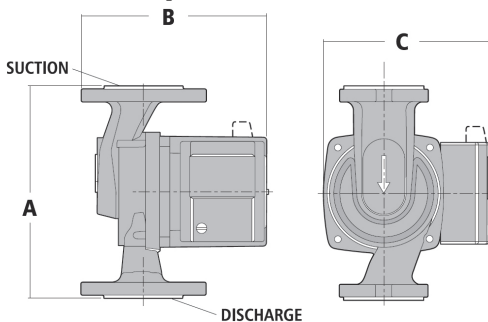


- 1 NBF-8S/LW
- 2 NBF-9U/LW
- 3 SSF-9U/LW
- 4 NBF-10S/LW
- 5 NBF-12U/LW
- 6 SSF-12U/LW
- 7 NBF-12F/LW
- 8 SSF-12F/LW
- 9 NBF-18S
- 10 NBF-22
- 11 SSF-22
- 12 NBF-22U
- 13 SSF-22U
- 14 NBF-33
- 15 NBF-36
- 16 NBF-45

Warranty:
Three years from manufacture date or 18-months from installation. Whichever comes first.

Model No.	Connection	Body Construction	Max RPM	Motor Characteristics			A	B	C	Weight in lbs.	Order No.	
				Watts	Phase	Amps						
NBF-8S/LW	1/2" sweat	Bronze Body Construction Both Bronze and Stainless Steel pumps are for pumping domestic, potable water	2800	39	115V 1 ph	0.39	5"	5-1/4"	4-7/8"	9.0	BH1054R	
NBF-10S/LW	1/2" sweat		2800	55		0.46	5"	5-1/4"	4-7/8"	9.0	BH1054S	
NBF-12F/LW	pump flange		2800	55		0.48	6-3/8"	5-9/16"	4-7/8"	9.5	BH1054T	
NBF-12U/LW	Union		2800	55		0.48	6-1/8"	5-1/16"	4-7/8"	9.3	BH1054V	
NBF-18S	1/2" sweat		3000	90		0.74	5"	5-7/32"	4-7/8"	9.0	BH1054U	
NBF-22	pump flange		2940	92		0.80	6-3/8"	5-9/16"	4-7/8"	9.5	BH1055	
NBF-22U	Union		2940	92		0.80	6-1/8"	5-1/16"	4-7/8"	9.3	BH1055A	
NBF-33	pump flange		2950	125		1.10	6-3/8"	6-3/16"	5-1/8"	10.4	BH1055H	
NBF-25	pump flange		2950	125		1.10	6-3/8"	6-3/16"	5-1/8"	10.4	BH1055E	
NBF-36	pump flange		3200	260		2.30	6-3/8"	6-7/8"	5-3/4"	12.9	BH1055F	
NBF-45	pump flange		3200	260		2.30	8-1/2"	7-3/8"	5-7/8"	14.4	BH1055G	
SSF-9U/LW	Union		Stainless Steel Body Construction	2800		41	0.40	6-1/8"	5-1/16"	4-7/8"	9.3	BH1055R
SSF-12F/LW	pump flange			2800		55	0.48	6-3/8"	5-9/16"	4-7/8"	9.5	BH1055J
SSF-12U/LW	Union			2800		55	0.48	6-1/8"	5-1/16"	4-7/8"	9.3	BH1055T
SSF-22	pump flange	2800		92	0.80	6-3/8"	5-9/16"	4-7/8"	9.5	BH1055K		
SSF-22U	Union	2940		92	0.80	6-1/8"	5-1/16"	4-7/8"	9.3	BH1055L		

NBF/SSF Pump Dimension Guide



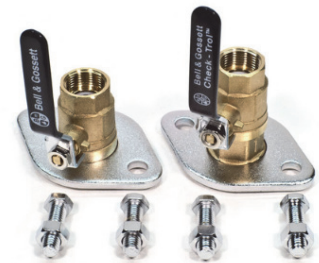
Bronze Pump Flanges

Flange Pipe Size	Bronze Flange Order No. Includes nuts/bolts	Flange Gasket Order No.
3/4"	BG1040 (One Each) Not used on NBF-45	BG1185 (set of 2)
1"	BG1045 (One Each)	
1-1/4"	BG1050 (One Each)	
1-1/2"	BG1055 (One Each)	
Fastener Pack (4 bolts, 4 nuts, 2 gaskets)		BG1561H

Isolation Flanged Ball Valves: Pump Repair and Replacement Easy!

Install these isolation valves in place of the standard pump flanges. Turn valve "off" to remove pump for repair or replacement.

Sold by the pair.



Threaded Isolation Valves	Order No.	Sweat Isolation Valves	Order No.
3/4" pipe thread	BI2700	3/4" sweat copper	BI2705
1" pipe thread	BI2701	1" sweat copper	BI2706
1 1/4" pipe thread	BI2702	1 1/4" sweat copper	BI2707
1 1/2" pipe thread	BI2702B	1 1/2" sweat copper	BI2707B

